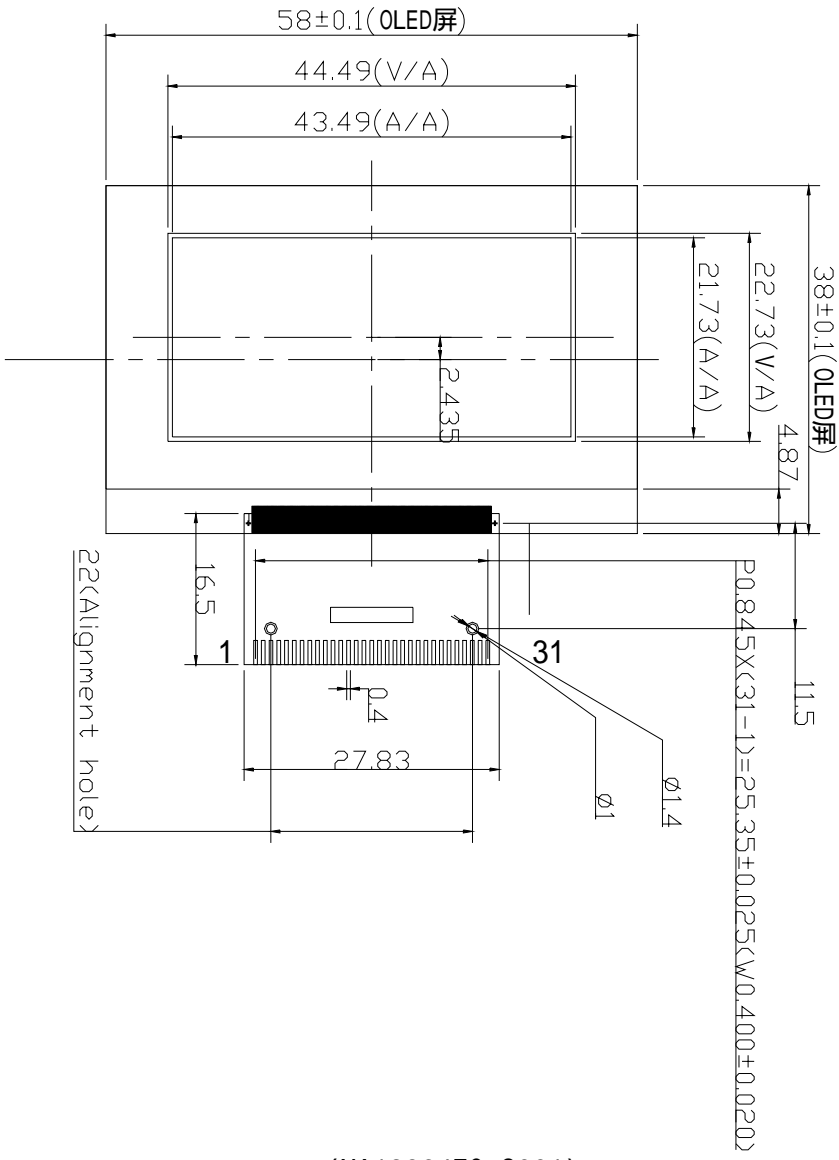
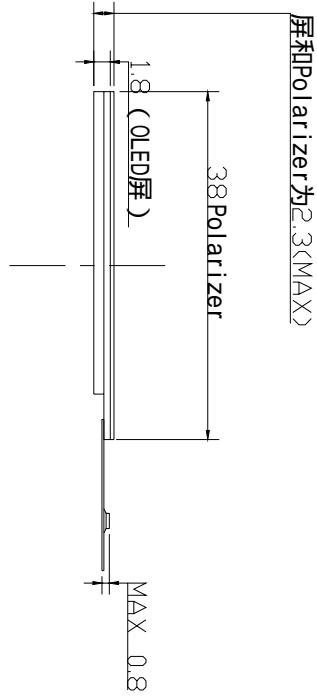




# OLED

# MI12864EO



注释：  
1. 接口定义如下：

1	2	3	4	5	6	7	8	9	10	11	12	13	14	15	16	17	18	19	20	
NC	VCC	NC	COM	IREF	D7	D6	D5	D4	D3	D2	D1	D0	E/RD	R/W	D/C	RES#	CS#	NC	BS2	BS1
21	22	23	24	25	26	27	28	29	30	31										
VDD1	NC	NC	NC	VREFRESE	FB	VDD8	GDR	VSS	NC											

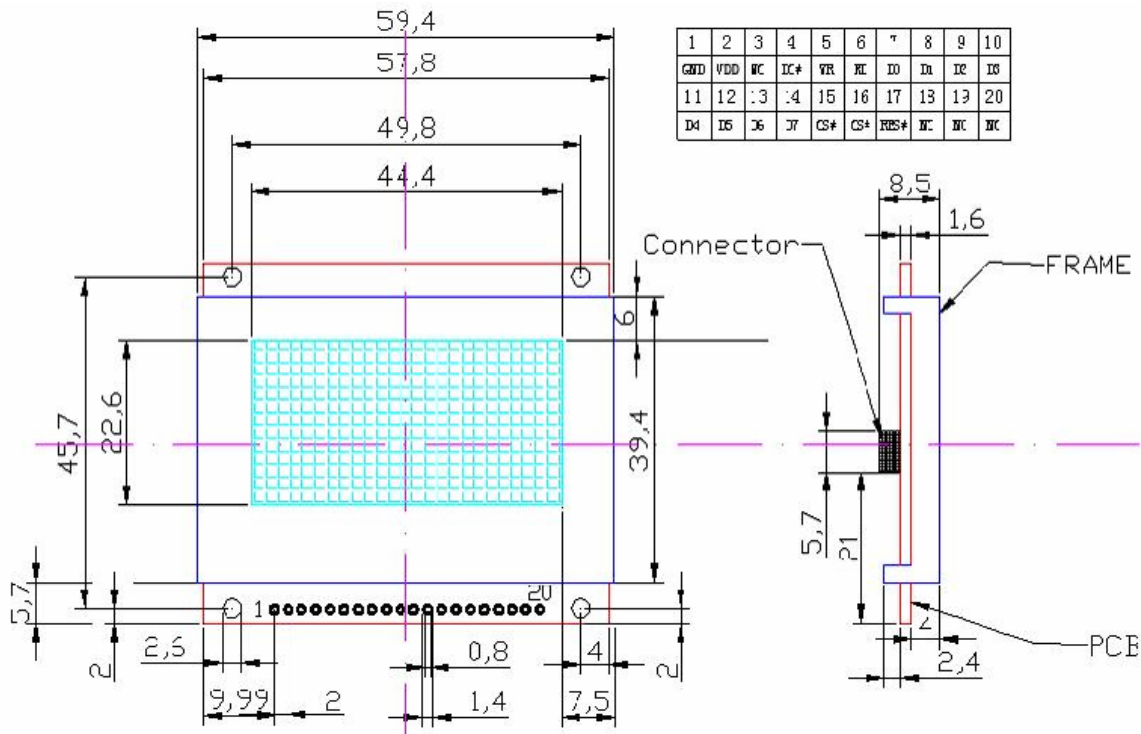
Type (MI12864EO-S001)





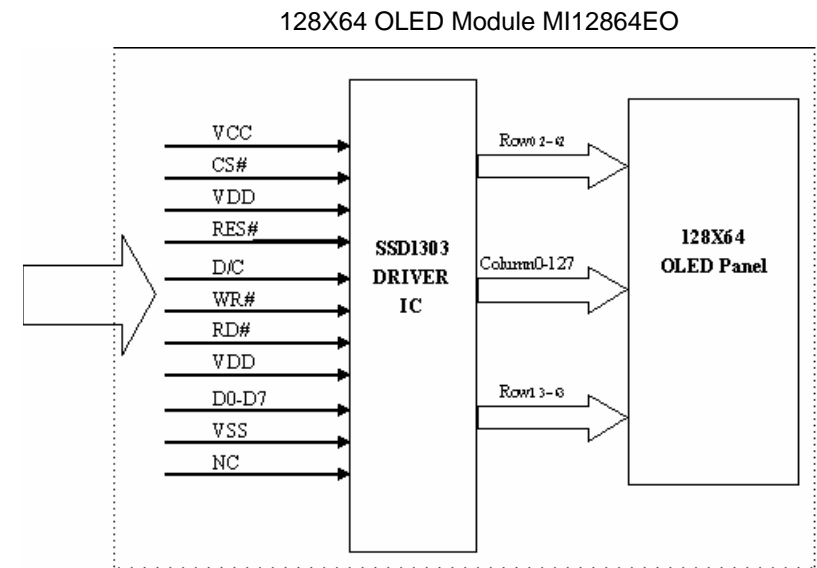
# OLED

# MI12864EO



Type (MI12864EO-CM21)

## Function Block Diagram



NOTE: Some pins omitted