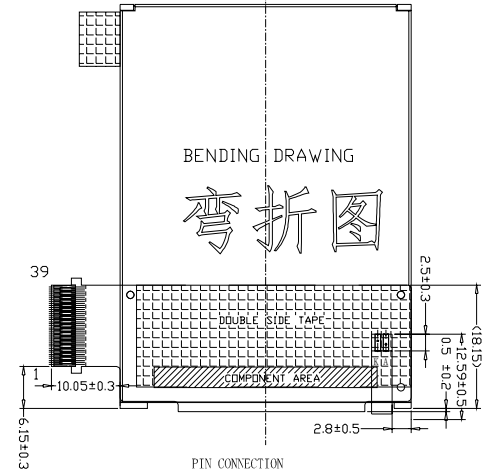
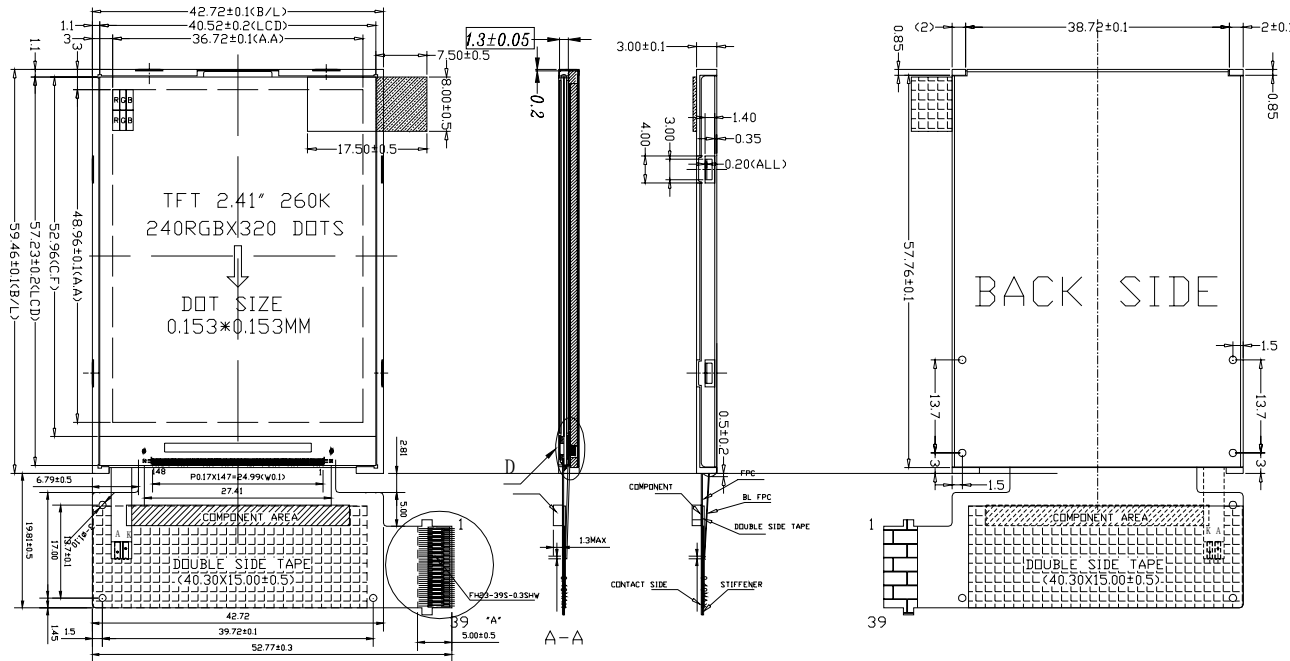


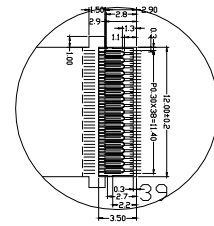
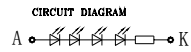


Customer No.:



1	EMO	23	DB4
2	EM1	24	DB3
3	EM2	25	DB2
4	EM3	26	DB1
5	RESET	27	DB0
6	VSYNC	28	SD0
7	HSYNC	29	SD1
8	DOTCLK	30	RD
9	ENABLE	31	WR /SCL
10	DB17	32	RS
11	DB16	33	CS
12	DB15	34	ROWCC
13	DB14	35	VCC
14	DB13	36	VCT
15	DB12	37	GND
16	DB11	38	LEDA
17	DB10	39	LEDB
18	DB9		
19	DB8		
20	DB7		
21	DB6		
22	DB5		

符合ROHS 环保标准



DETAIL A

NOTES:

1. OPERATING TEMPERATURE: -20°C TO 70°C
2. STORAGE TEMPERATURE: -30°C TO 80°C
3. VIEWING DIRECTION : 12:00
4. POLARIZER SIZE: TRANSMISSIVE
5. DRIVE IC:R61505U
6. FPC:TFT9K0185FPC-A1-E
7. BL:TC241-20-C-S4-J-E
8. CONNECTOR:FH23-39S-0.3SHW

GENERAL TOLERANCE ±0.2

CUSTOMER APPROVE		AMEND		MULTI-INNO TECHNOLOGY CO.,LTD.		
Mechanical	Electrical	△		PRODUCT NO.	DRAW NO.	REV
		△		MI0240GT		
		△		DWN	DSN	
		△		CHKD	APPD	
		NO.	CONTENT	DATE	NOT IN SCALE UNIT mm SHEET: 1/1	