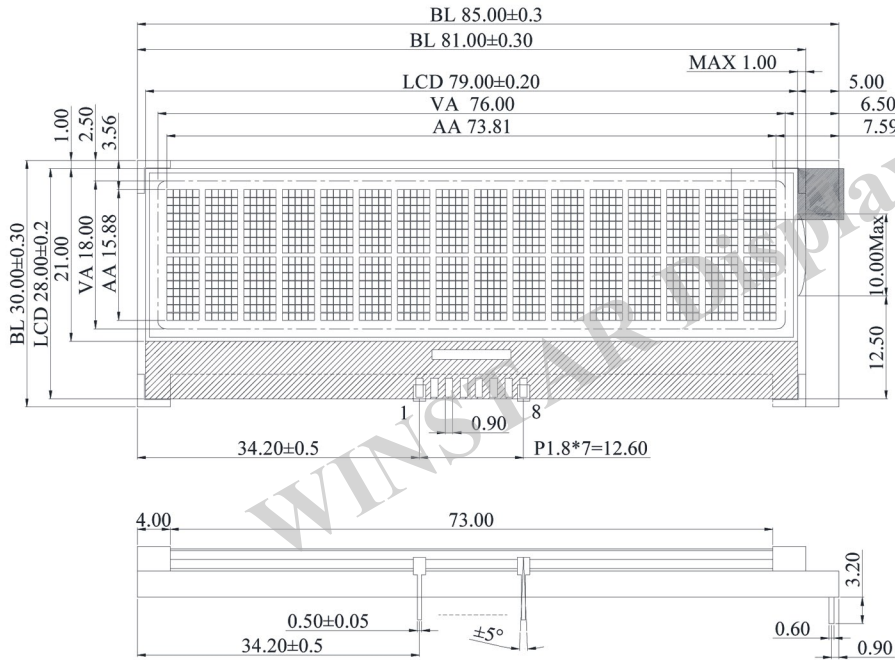
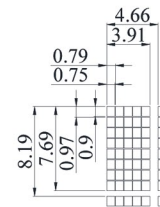
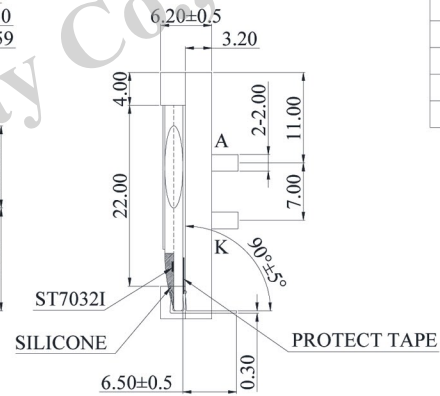


**WO1602B** Character 16x2 dots

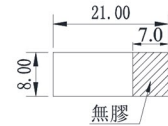


WINSTAR Display Co., Ltd.

PIN NO.	SYMBOL
1	VOUT
2	CAP-
3	CAP+
4	VDD
5	VSS
6	SDATA
7	SCLK
8	RST



SCALE 2/1



SCALE 1/1

The non-specified tolerance of dimension is ±0.3mm.