

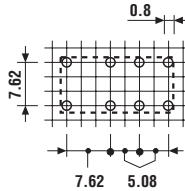
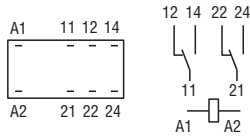
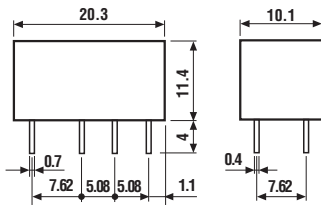
Features

30.22

Printed circuit mount 2 A signal relay

- 2 Pole changeover contacts
Low level switching capability
- Subminiature - industry standard DIL package
- Sensitive DC coil - 200 mW
- Wash tight: RT III
- Cadmium Free contact material

- Low coil power
- Au clad contacts
- PCB mount

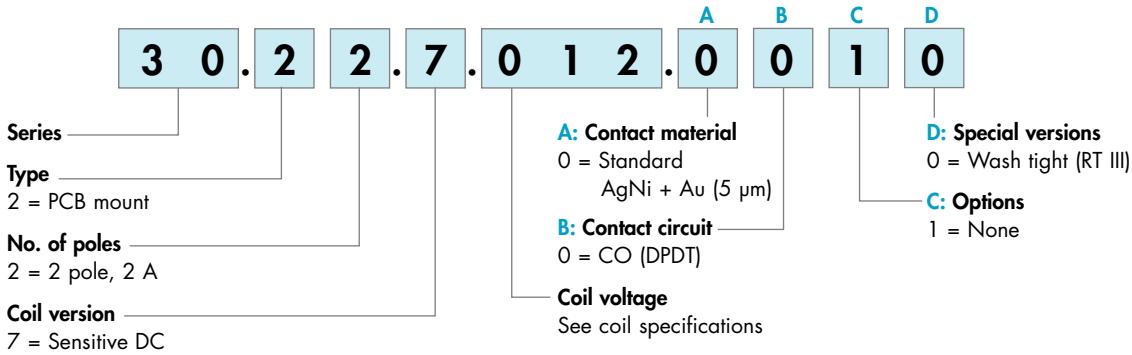


Copper side view

Contact specification		
Contact configuration		2 CO (DPDT)
Rated current/Maximum peak current	A	2/3
Rated voltage/Maximum switching voltage	V AC	125/250
Rated load AC1	VA	125
Rated load AC15 (230 V AC)	VA	25
Single phase motor rating (230 V AC)	kW	—
Breaking capacity DC1: 30/110/220 V	A	2/0.3/—
Minimum switching load	mW (V/mA)	10 (0.1/1)
Standard contact material		AgNi + Au
Coil specification		
Nominal voltage (U _N)	V AC (50/60 Hz)	—
	V DC	5 - 6 - 9 - 12 - 24 - 48
Rated power AC/DC	VA (50 Hz)/W	—/0.2
Operating range	AC	—
	DC	See table page 2
Holding voltage	AC/DC	—/0.35 U _N
Must drop-out voltage	AC/DC	—/0.05 U _N
Technical data		
Mechanical life AC/DC	cycles	—/10 · 10 ⁶
Electrical life at rated load AC1	cycles	100 · 10 ³
Operate/release time	ms	6/2
Insulation between coil and contacts (1.2/50 μs)	kV	1.5
Dielectric strength between open contacts	V AC	750
Ambient temperature range	°C	−40...+85
Environmental protection		RT III
Approvals (according to type)		cULUS

Ordering information

Example: 30 series PCB relay, 2 CO (DPDT) - 2 A contacts, 12 V sensitive DC coil.



Technical data

Insulation

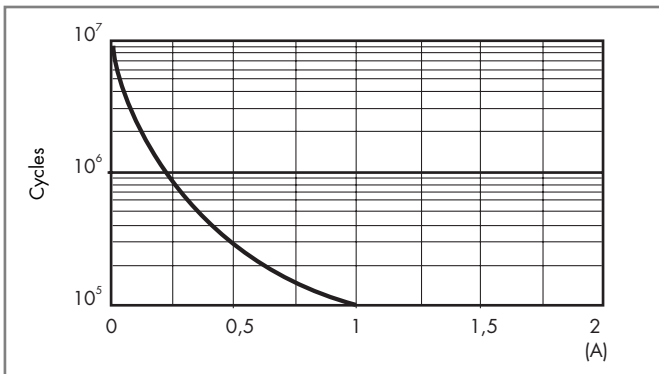
Insulation according to EN 61810-1 ed. 2	insulation rated voltage	V	125	250
	rated impulse withstand voltage	kV	1.2	1.2
	pollution degree		2	1
	overvoltage category		I	I
Insulation between coil and contacts (1.2/50 µs)		kV	1.5	
Dielectric strength between open contacts		V AC	750	
Dielectric strength between adjacent contacts		V AC	1,500	

Other data

Bounce time: NO/NC		ms	1/3
Vibration resistance (5...55)Hz, max. ± 1 mm: NO/NC		g	15/15
Shock resistance		g	16
Power lost to the environment	without contact current	W	0.2
	with rated current	W	0.4
Recommended distance between relays mounted on PCB		mm	≥ 5

Contact specification

F 30 - Electrical life (AC1) v contact current (125 V)



Note:

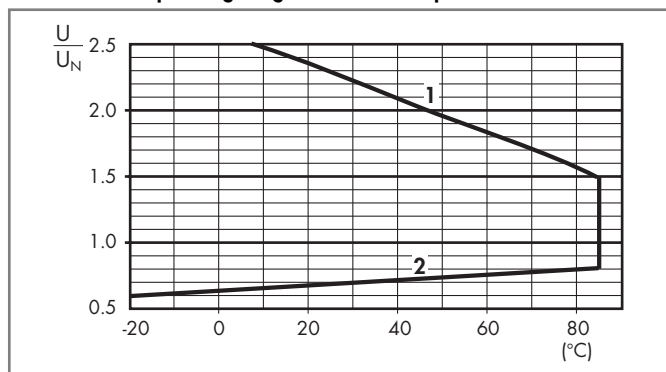
The rated current of 2 A corresponds to the limiting continuous current.

Coil specifications

DC coil data - 0.2 W sensitive

Nominal voltage U_N V	Coil code	Operating range		Resistance R Ω	Rated coil consumption I at U_N mA
		U_{min} V	U_{max} V		
5	7.005	3.7	7.5	125	40
6	7.006	4.5	9	180	33
9	7.009	6.7	13.5	405	22
12	7.012	8.4	18	720	16
24	7.024	16.8	36	2,880	8.3
48	7.048	36	72	11,520	4.1

R 30 - DC coil operating range v ambient temperature



1 - Max. permitted coil voltage.

2 - Min. pick-up voltage with coil at ambient temperature.