

FPF1005-FPF1006 IntelliMAX™ Advanced Load Management Products

Features

- 1.2 to 5.5V Input Voltage Range
- Typical $R_{DS(ON)} = 50m\Omega$ @ $V_{IN} = 5.5V$
- Typical $R_{DS(ON)} = 55m\Omega$ @ $V_{IN} = 3.3V$
- ESD Protected, above 2000V HBM

Applications

- PDAs
- Cell Phones
- GPS Devices
- MP3 Players
- Digital Cameras
- Peripheral Ports
- Hot Swap Supplies

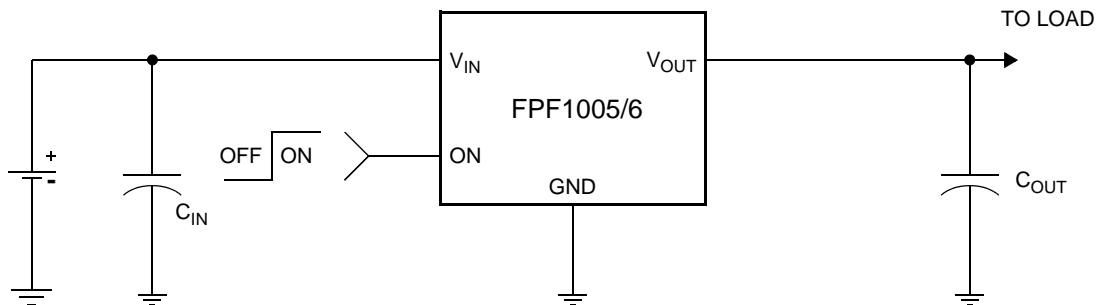
General Description

The FPF1005 & FPF1006 are low R_{DS} P-Channel MOSFET load switches with CMOS controlled turn-on targeting small package load switch applications. The input voltage range operates from 1.2V to 5.5V. Switch control is by a logic input (ON) capable of interfacing directly with low voltage control signals. Optional on-chip load resistor is added for output quick discharge when switch is turned off.

Both FPF1005 & FPF1006 are available in a small 2X2 MLP- 6 pin plastic package.



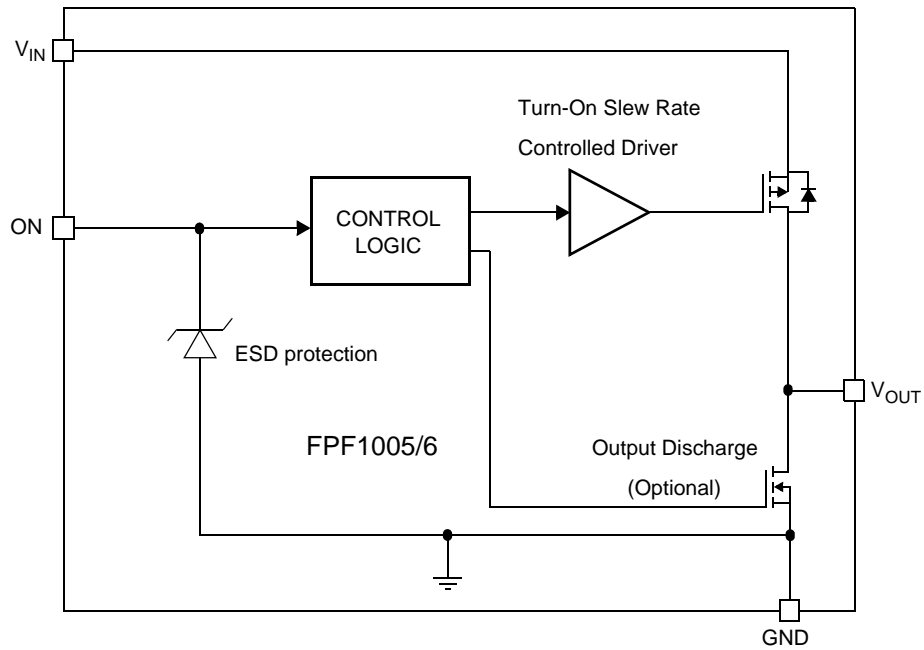
Typical Application Circuit



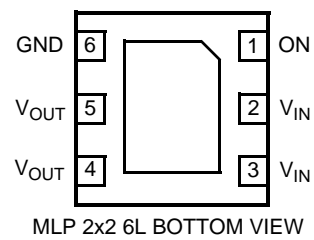
Ordering Information

| Part | Switch | Input Buffer | Output Discharge | ON Pin Activity |
|---------|---------------------|--------------|------------------|-----------------|
| FPF1005 | 55m Ω , PMOS | Schmitt | NA | Active HI |
| FPF1006 | 55m Ω , PMOS | Schmitt | 120 Ω | Active HI |

Functional Block Diagram



Pin Configuration



Pin Description

| Pin | Name | Function |
|------|-----------|---|
| 4, 5 | V_{OUT} | Switch Output: Output of the power switch |
| 2, 3 | V_{IN} | Supply Input: Input to the power switch and the supply voltage for the IC |
| 6 | GND | Ground |
| 1 | ON | ON/OFF Control Input |

Absolute Maximum Ratings

| Parameter | Min. | Max. | Unit |
|---|------|------|---------------------------|
| V_{IN} , V_{OUT} , ON to GND | -0.3 | 6 | V |
| Maximum Continuous Switch Current | | 1.5 | A |
| Power Dissipation @ $T_A = 25^\circ\text{C}$ (Note 1) | | 1.2 | W |
| Storage Junction Temperature | -65 | 150 | $^\circ\text{C}$ |
| Operating Temperature Range | -40 | 85 | $^\circ\text{C}$ |
| Thermal Resistance, Junction to Ambient | | 86 | $^\circ\text{C}/\text{W}$ |
| Electrostatic Discharge Protection | HBM | 2000 | V |
| | MM | 200 | V |

Recommended Operating Range

| Parameter | Min. | Max. | Unit |
|--------------------------------------|------|------|------------------|
| V_{IN} | 1.2 | 5.5 | V |
| Ambient Operating Temperature, T_A | -40 | 85 | $^\circ\text{C}$ |

Electrical Characteristics

$V_{IN} = 1.2$ to 5.5V , $T_A = -40$ to $+85^\circ\text{C}$ unless otherwise noted. Typical values are at $V_{IN} = 3.3\text{V}$ and $T_A = 25^\circ\text{C}$.

| Parameter | Symbol | Conditions | Min. | Typ. | Max. | Units |
|-----------------------------|---------------|--|------|------|------|------------------|
| Basic Operation | | | | | | |
| Operating Voltage | V_{IN} | | 1.2 | | 5.5 | V |
| Quiescent Current | I_Q | $I_{OUT} = 0\text{mA}$, $V_{IN} = V_{ON}$ | | | 1 | μA |
| Off Supply Current | $I_{Q(off)}$ | $V_{ON} = \text{GND}$, $\text{OUT} = \text{open}$ | | | 1 | μA |
| Off Switch Current | $I_{SD(off)}$ | $V_{ON} = \text{GND}$, $V_{OUT} = 0\text{V}$ | | | 1 | μA |
| On-Resistance | R_{ON} | $V_{IN} = 5.5\text{V}$, $T_A = 25^\circ\text{C}$ | | 50 | 70 | $\text{m}\Omega$ |
| | | $V_{IN} = 3.3\text{V}$, $T_A = 25^\circ\text{C}$ | | 55 | 80 | |
| | | $V_{IN} = 1.5\text{V}$, $T_A = 25^\circ\text{C}$ | | 95 | 135 | |
| | | $V_{IN} = 1.2\text{V}$, $T_A = 25^\circ\text{C}$ | | 165 | 250 | |
| Output Pull Down Resistance | R_{PD} | $V_{IN} = 3.3\text{V}$, $V_{ON} = 0\text{V}$, $T_A = 25^\circ\text{C}$, FPF1006 | | 75 | 120 | Ω |
| ON Input Logic Low Voltage | V_{IL} | $V_{IN} = 5.5\text{V}$ | | | 1.25 | V |
| | | $V_{IN} = 4.5\text{V}$ | | | 1.10 | |
| | | $V_{IN} = 1.5\text{V}$ | | | 0.50 | |
| ON Input Logic High Voltage | V_{IH} | $V_{IN} = 5.5\text{V}$ | 2.00 | | | V |
| | | $V_{IN} = 4.5\text{V}$ | 1.75 | | | |
| | | $V_{IN} = 1.5\text{V}$ | 0.75 | | | |
| ON Input Leakage | | $V_{ON} = V_{IN}$ or GND | -1 | | 1 | μA |
| Dynamic | | | | | | |
| Turn on delay | t_{ON} | $V_{IN} = 3.3\text{V}$, $R_L = 500\Omega$, $C_L = 0.1\mu\text{F}$, $T_A = 25^\circ\text{C}$ | | 10 | | μs |
| Turn off delay | t_{OFF} | $V_{IN} = 3.3\text{V}$, $R_L = 500\Omega$, $C_L = 0.1\mu\text{F}$, $T_A = 25^\circ\text{C}$, FPF1005 | | 50 | | μs |
| | | $V_{IN} = 3.3\text{V}$, $R_L = 500\Omega$, $C_L = 0.1\mu\text{F}$, $T_A = 25^\circ\text{C}$, FPF1006 | | 10 | | μs |
| V_{OUT} Rise Time | t_R | $V_{IN} = 3.3\text{V}$, $R_L = 500\Omega$, $C_L = 0.1\mu\text{F}$, $T_A = 25^\circ\text{C}$ | | 10 | | μs |
| V_{OUT} Fall Time | t_F | $V_{IN} = 3.3\text{V}$, $R_L = 500\Omega$, $C_L = 0.1\mu\text{F}$, $T_A = 25^\circ\text{C}$, FPF1005 | | 100 | | μs |
| | | $V_{IN} = 3.3\text{V}$, $R_L = 500\Omega$, $C_L = 0.1\mu\text{F}$, $T_A = 25^\circ\text{C}$, FPF1006 | | 10 | | μs |

Note 1: Package power dissipation on 1square inch pad, 2 oz. copper board

Typical Characteristics

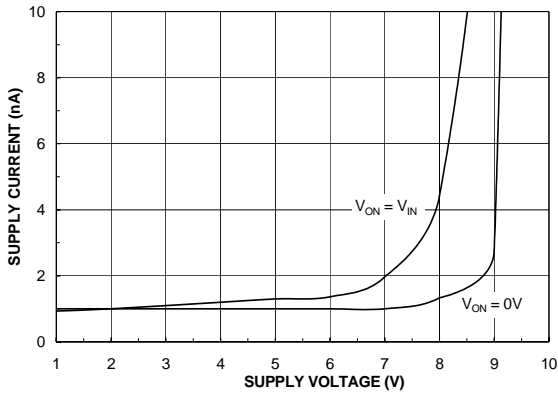


Figure 1. Quiescent Current vs. V_{IN}

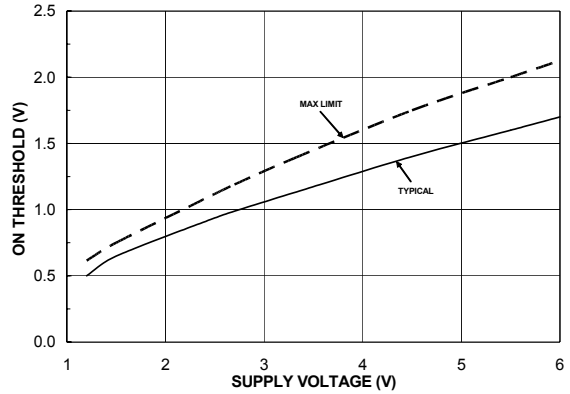


Figure 2. ON Threshold vs. V_{IN}

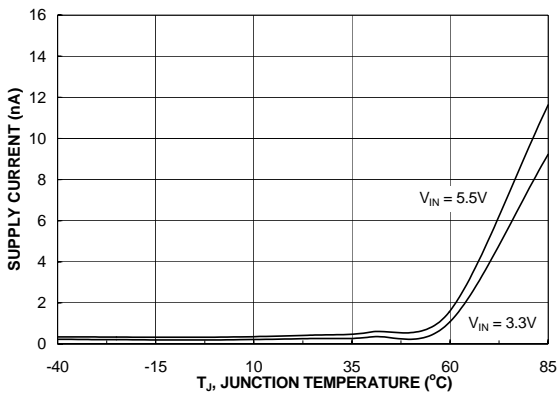


Figure 3. Quiescent Current vs. Temperature

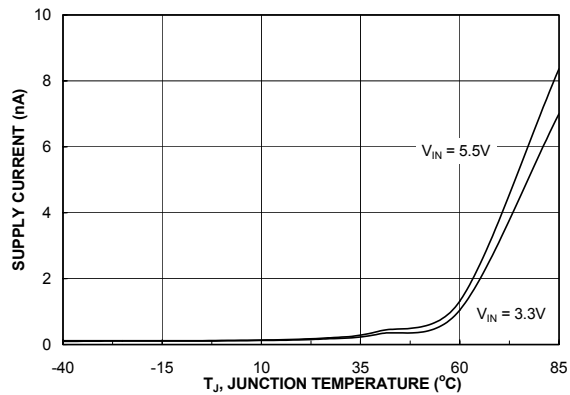


Figure 4. Quiescent Current (off) vs. Temperature

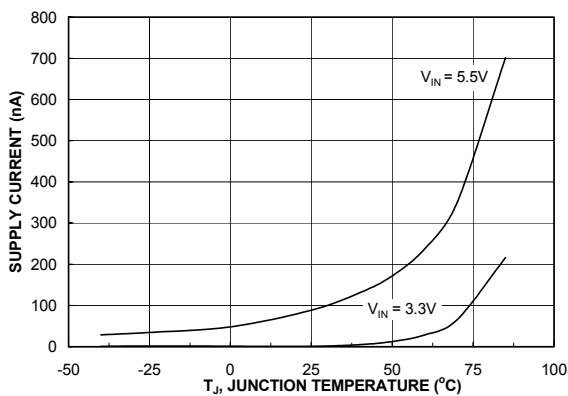


Figure 5. $I_{\text{SWITCH-OFF}}$ Current vs. Temperature

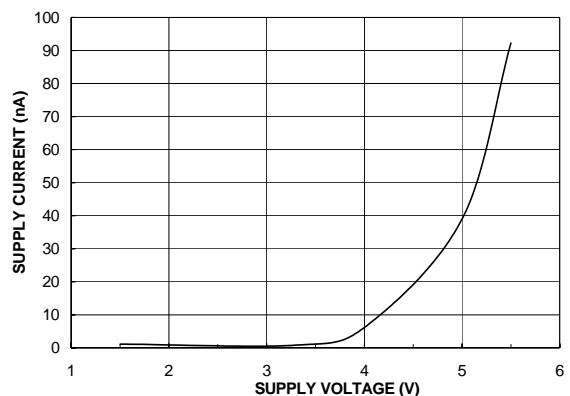


Figure 6. $I_{\text{SWITCH-OFF}}$ Current vs. V_{IN}

Typical Characteristics

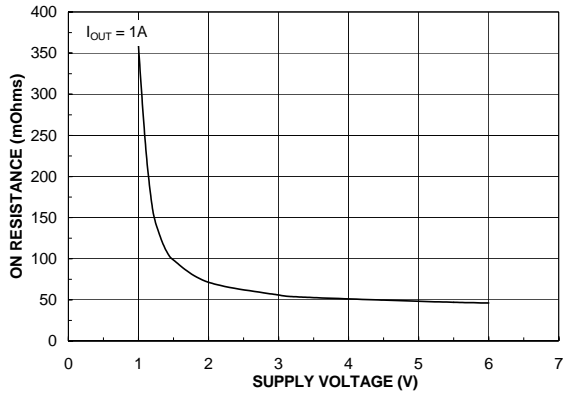


Figure 7. R_{ON} vs. V_{IN}

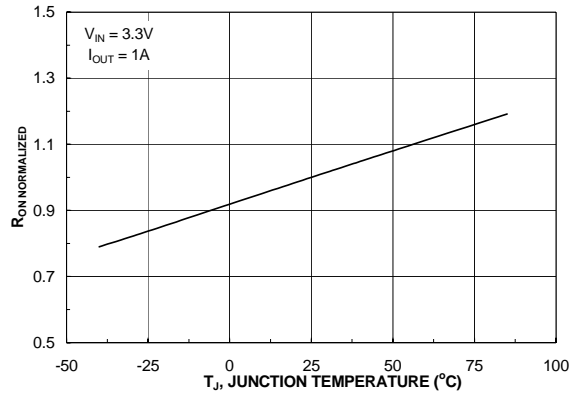


Figure 8. R_{ON} vs. Temperature

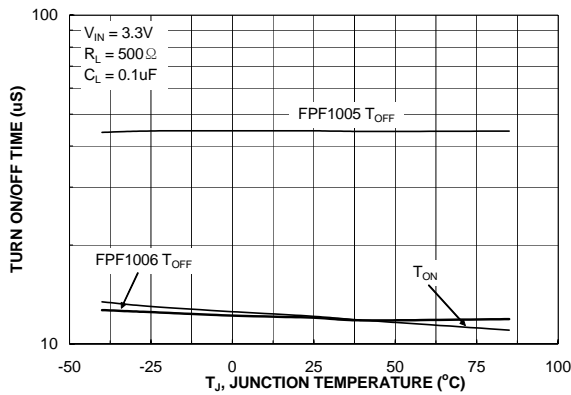


Figure 9. T_{ON}/T_{OFF} vs. Temperature

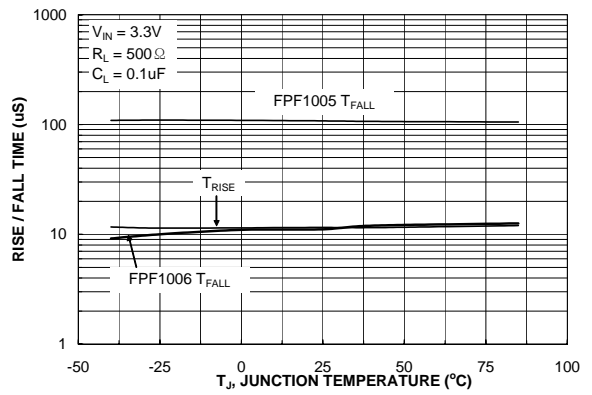


Figure 10. T_{RISE}/T_{FALL} vs. Temperature

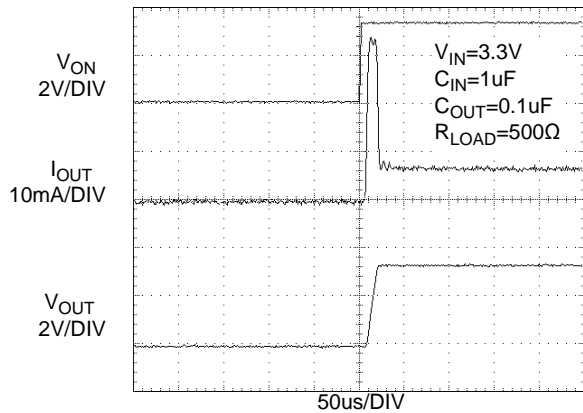


Figure 11. FPF1005 T_{ON} Response

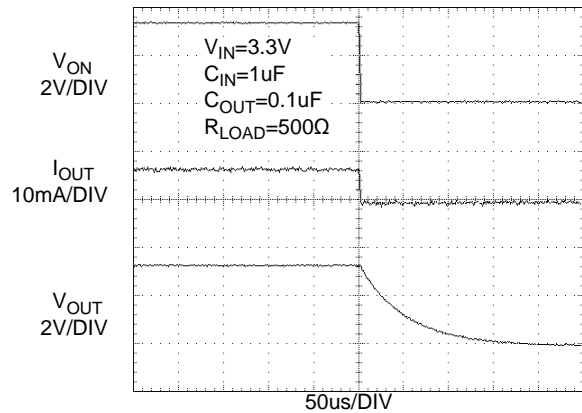


Figure 12. FPF1005 T_{OFF} Response

Typical Characteristics

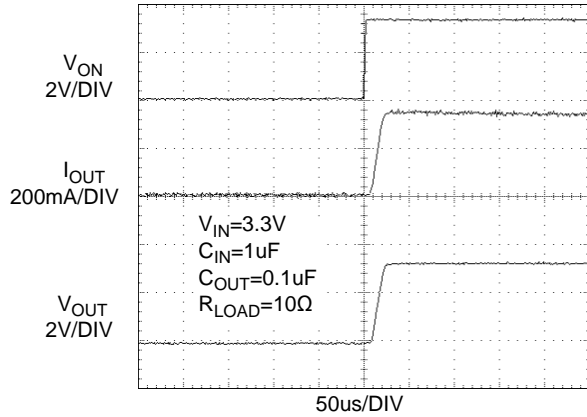


Figure 13. FPF1005 T_{ON} Response

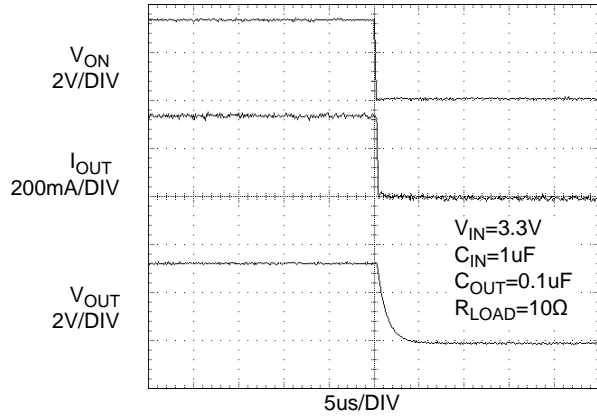


Figure 14. FPF1005 T_{OFF} Response

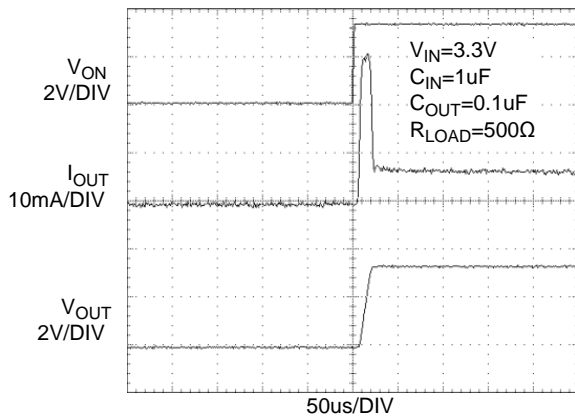


Figure 15. FPF1006 T_{ON} Response

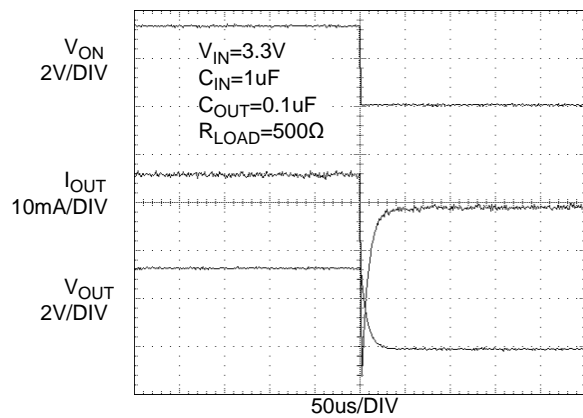


Figure 16. FPF1006 T_{OFF} Response

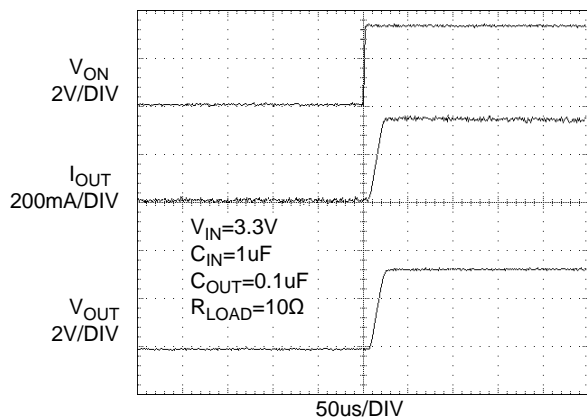


Figure 17. FPF1006 T_{ON} Response

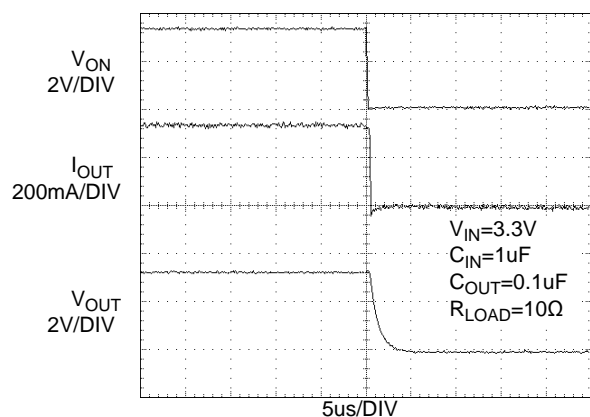


Figure 18. FPF1006 T_{OFF} Response

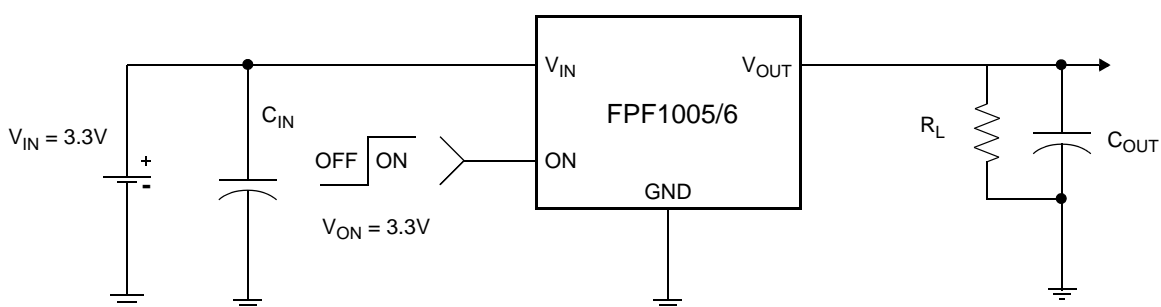
Description of Operation

The FPF1005 & FPF1006 are low $R_{DS(ON)}$ P-Channel load switches with controlled turn-on. The core of each device is a $55m\Omega$ P-Channel MOSFET and a controller capable of functioning over a wide input operating range of 1.2-5.5V. The ON pin, an active HI TTL compatible input, controls the state of the switch. The FPF1006 contains a 120Ω on-chip load resistor for quick output discharge when the switch is turned off.

However, FPF1006 should not be connected directly to the battery source due to the discharge mechanism of the load switch.

Application Information

Typical Application



Input Capacitor

To limit the voltage drop on the input supply caused by transient in-rush currents when the switch turns-on into a discharged load capacitor or short-circuit, a capacitor needs to be placed between V_{IN} and GND. A $1\mu F$ ceramic capacitor, C_{IN} , placed close to the pins is usually sufficient. Higher values of C_{IN} can be used to further reduce the voltage drop during higher current application.

Output Capacitor

A $0.1\mu F$ capacitor, C_{OUT} , should be placed between V_{OUT} and GND. This capacitor will prevent parasitic board inductance from forcing V_{OUT} below GND when the switch turns-off. Due to the integral body diode in the PMOS switch, a C_{IN} greater than C_{OUT} is highly recommended. A C_{OUT} greater than C_{IN} can cause V_{OUT} to exceed V_{IN} when the system supply is removed. This could result in current flow through the body diode from V_{OUT} to V_{IN} .

Board Layout

For best performance, all traces should be as short as possible. To be most effective, the input and output capacitors should be placed close to the device to minimize the effects that parasitic trace inductances may have on normal and short-circuit operation. Using wide traces or large copper planes for all pins (V_{IN} , V_{OUT} , ON and GND) will help minimize the parasitic electrical effects along with minimizing the case to ambient thermal impedance.

Evaluation Board Layout

FPF1005/6 Demo board has the components and circuitry to demonstrate the load switch functions. Thermal performance of the load switch can be improved significantly by connecting the middle pad (pin 7) to the GND area of the PCB.

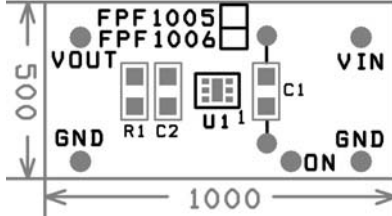


Figure 19. Demo board silk screen top and component assembly drawing.

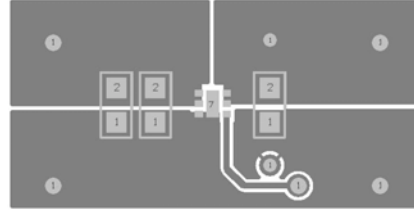
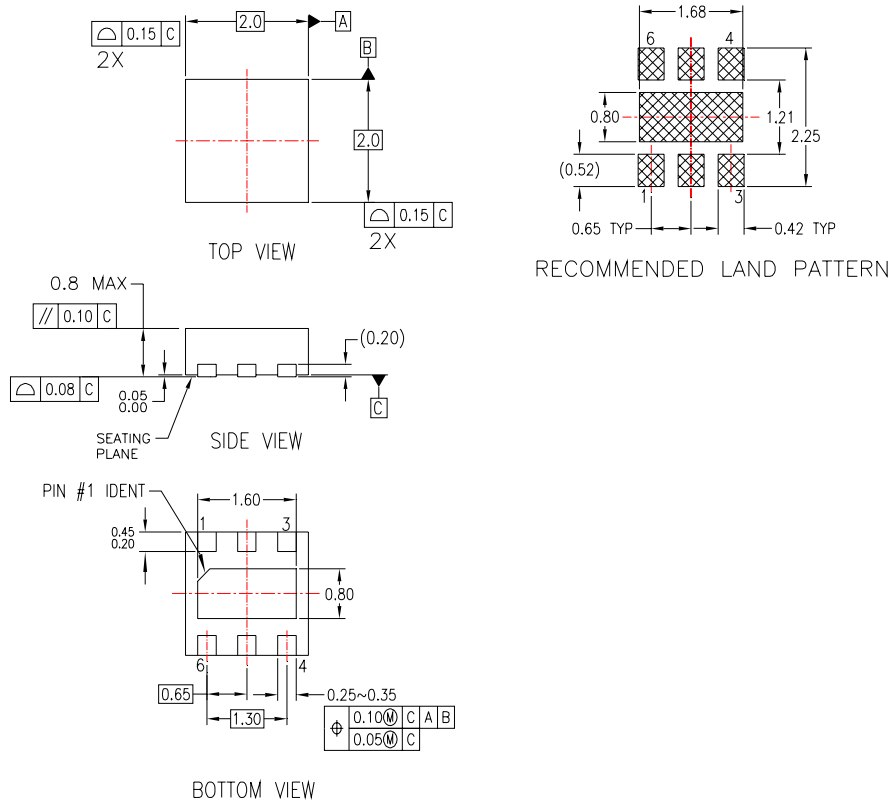


Figure 20. Demo board top layer view.



Figure 21. Demo board bottom layer view.

Dimensional Outline and Pad Layout



NOTES:

- A. NON-CONFORMS TO JEDEC REGISTRATION.
- B. DIMENSIONS ARE IN MILLIMETERS.
- C. DIMENSIONS AND TOLERANCES PER ASME Y14.5M, 1994

TRADEMARKS

The following are registered and unregistered trademarks Fairchild Semiconductor owns or is authorized to use and is not intended to be an exhaustive list of all such trademarks.

| | | | | |
|--------------------------------------|---------------------|---------------------|------------------|-----------|
| ACEx™ | FACT Quiet Series™ | OCX™ | SILENT SWITCHER® | UniFET™ |
| ActiveArray™ | GlobalOptoisolator™ | OCXPro™ | SMART START™ | UltraFET® |
| Bottomless™ | GTO™ | OPTOLOGIC® | SPM™ | VCX™ |
| Build it Now™ | HiSeC™ | OPTOPLANAR™ | Stealth™ | Wire™ |
| CoolFET™ | i ² C™ | PACMAN™ | SuperFET™ | |
| CROSSVOLT™ | i-Lo™ | POP™ | SuperSOT™-3 | |
| DOME™ | ImpliedDisconnect™ | Power247™ | SuperSOT™-6 | |
| EcoSPARK™ | IntelliMAX™ | PowerEdge™ | SuperSOT™-8 | |
| E ² CMOS™ | ISOPLANAR™ | PowerSaver™ | SyncFET™ | |
| EnSigna™ | LittleFET™ | PowerTrench® | TCM™ | |
| FACT™ | MICROCOUPLER™ | QFET® | TinyBoost™ | |
| FAST® | MicroFET™ | QS™ | TinyBuck™ | |
| FASTr™ | MicroPak™ | QT Optoelectronics™ | TinyPWM™ | |
| FPS™ | MICROWIRE™ | Quiet Series™ | TinyPower™ | |
| FRFET™ | MSX™ | RapidConfigure™ | TinyLogic® | |
| | MSXPro™ | RapidConnect™ | TINYOPTO™ | |
| Across the board. Around the world.™ | | µSerDes™ | TruTranslation™ | |
| The Power Franchise® | | ScalarPump™ | UHC™ | |
| Programmable Active Droop™ | | | | |

DISCLAIMER

FAIRCHILD SEMICONDUCTOR RESERVES THE RIGHT TO MAKE CHANGES WITHOUT FURTHER NOTICE TO ANY PRODUCTS HEREIN TO IMPROVE RELIABILITY, FUNCTION OR DESIGN. FAIRCHILD DOES NOT ASSUME ANY LIABILITY ARISING OUT OF THE APPLICATION OR USE OF ANY PRODUCT OR CIRCUIT DESCRIBED HEREIN; NEITHER DOES IT CONVEY ANY LICENSE UNDER ITS PATENT RIGHTS, NOR THE RIGHTS OF OTHERS. THESE SPECIFICATIONS DO NOT EXPAND THE TERMS OF FAIRCHILD'S WORLDWIDE TERMS AND CONDITIONS, SPECIFICALLY THE WARRANTY THEREIN, WHICH COVERS THESE PRODUCTS.

LIFE SUPPORT POLICY

FAIRCHILD'S PRODUCTS ARE NOT AUTHORIZED FOR USE AS CRITICAL COMPONENTS IN LIFE SUPPORT DEVICES OR SYSTEMS WITHOUT THE EXPRESS WRITTEN APPROVAL OF FAIRCHILD SEMICONDUCTOR CORPORATION.

As used herein:

- Life support devices or systems are devices or systems which, (a) are intended for surgical implant into the body, or (b) support or sustain life, or (c) whose failure to perform when properly used in accordance with instructions for use provided in the labeling, can be reasonably expected to result in significant injury to the user.
- A critical component is any component of a life support device or system whose failure to perform can be reasonably expected to cause the failure of the life support device or system, or to affect its safety or effectiveness.

PRODUCT STATUS DEFINITIONS

Definition of Terms

| Datasheet Identification | Product Status | Definition |
|--------------------------|------------------------|---|
| Advance Information | Formative or In Design | This datasheet contains the design specifications for product development. Specifications may change in any manner without notice. |
| Preliminary | First Production | This datasheet contains preliminary data, and supplementary data will be published at a later date. Fairchild Semiconductor reserves the right to make changes at any time without notice in order to improve design. |
| No Identification Needed | Full Production | This datasheet contains final specifications. Fairchild Semiconductor reserves the right to make changes at any time without notice in order to improve design. |
| Obsolete | Not In Production | This datasheet contains specifications on a product that has been discontinued by Fairchild semiconductor. The datasheet is printed for reference information only. |

Rev. I20