

# FPF2116 IntelliMAX™ Advanced Load Management Products

## Features

- 1.8 to 5.5V Input Voltage Range
- Controlled Turn-On
- 200mA Current Limit
- Undervoltage Lockout
- Thermal Shutdown
- <math>2\mu\text{A}</math> Shutdown Current
- Auto Restart
- Fast Current limit Response Time
  - 3 $\mu\text{s}$  to Moderate Over Currents
  - 20ns to Hard Shorts
- Fault Blanking
- Reverse Current Blocking

## Applications

- PDAs
- Cell Phones
- GPS Devices
- MP3 Players
- Digital Cameras
- Peripheral Ports
- Hot Swap Supplies

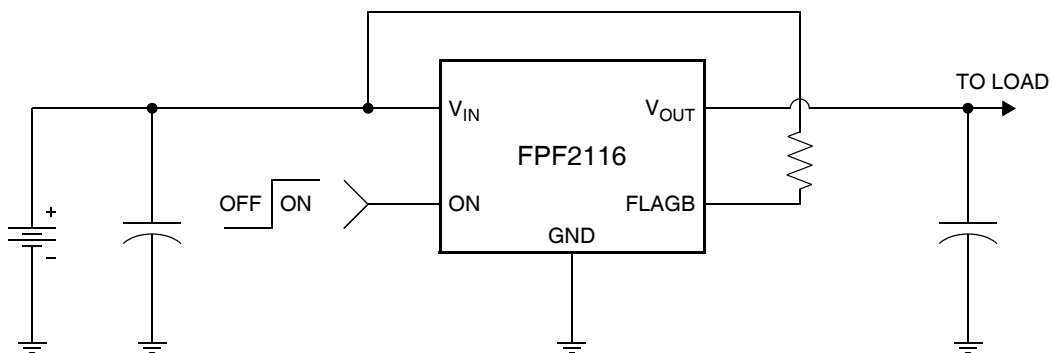
## General Description

The FPF2116 is a load switch which provides full protection to systems and loads which may encounter large current conditions. This device contains a  $0.125\Omega$  current-limited P-channel MOSFET which can operate over an input voltage range of 1.8-5.5V. Internally, current is prevented from flowing when the MOSFET is off and the output voltage is higher than the input voltage. Switch control is by a logic input (ON) capable of interfacing directly with low voltage control signals. The part contains thermal shutdown protection which shuts off the switch to prevent damage to the part when a continuous over-current condition causes excessive heating.

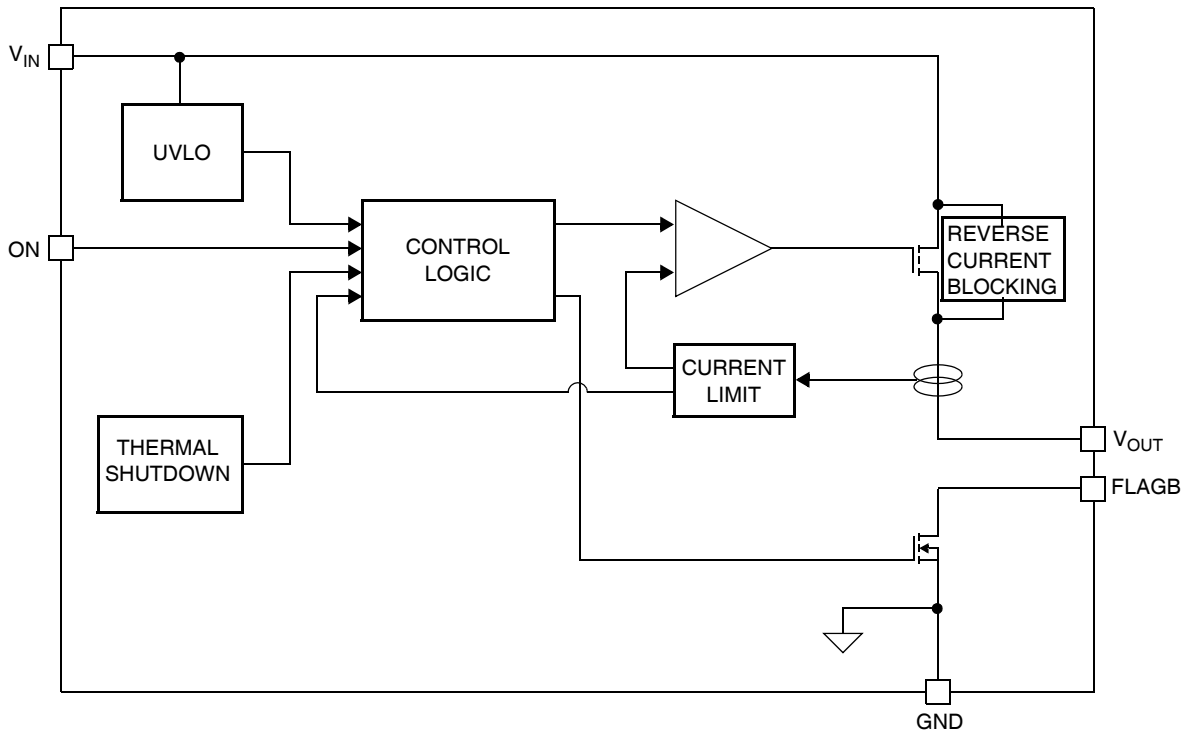
When the switch current reaches the current limit, the part operates in a constant-current mode to prohibit excessive currents from causing damage. If the constant current condition still persists after 30ms, the part will shut off the switch and pull the fault signal pin (FLAGB) low. An auto-restart feature will turn the switch on again after 480ms if the ON pin is still active. The minimum current limit is 200mA.

The part is available in a space-saving 5 pin SOT23 package.

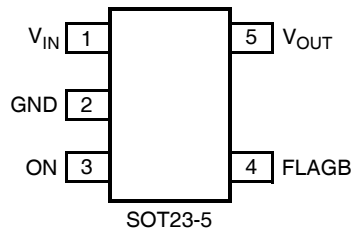
## Typical Application Circuit



### Functional Block Diagram



### Pin Configuration



### Pin Description

| Pin | Name      | Function  |
|-----|-----------|---|
| 1   | $V_{IN}$  | Supply Input: Input to the power switch and the supply voltage for the IC   |
| 2   | GND       | Ground  |
| 3   | ON        | ON Control Input  |
| 4   | FLAGB     | Fault Output: Active LO, open drain output which indicates an over current supply, under voltage or over temperature state. |
| 5   | $V_{OUT}$ | Switch Output: Output of the power switch   |

## Absolute Maximum Ratings

| Parameter   |     | Min. | Max. | Unit                      |
|---|-----|------|------|---------------------------|
| $V_{IN}$ , $V_{OUT}$ , ON, FLAGB to GND               |     | -0.3 | 6    | V                         |
| Power Dissipation @ $T_A = 25^\circ\text{C}$ (note 1) |     | -    | 667  | mW                        |
| Operating Junction Temperature                        |     | -40  | 125  | $^\circ\text{C}$          |
| Storage Temperature                                   |     | -65  | 150  | $^\circ\text{C}$          |
| Thermal Resistance, Junction to Ambient               |     | -    | 150  | $^\circ\text{C}/\text{W}$ |
| Electrostatic Discharge Protection                    | HBM | 4000 | -    | V                         |
|   | MM  | 400  | -    | V                         |

## Recommended Operating Range

| Parameter                            |  | Min. | Max. | Unit             |
|--------------------------------------|--|------|------|------------------|
| $V_{IN}$                             |  | 1.8  | 5.5  | V                |
| Ambient Operating Temperature, $T_A$ |  | -40  | 85   | $^\circ\text{C}$ |

## Electrical Characteristics

$V_{IN} = 1.8$  to  $5.5\text{V}$ ,  $T_A = -40$  to  $+85^\circ\text{C}$  unless otherwise noted. Typical values are at  $V_{IN} = 3.3\text{V}$  and  $T_A = 25^\circ\text{C}$ .

| Parameter                         | Symbol      | Conditions   | Min.                            | Typ. | Max | Units            |
|-----------------------------------|-------------|--|---------------------------------|------|-----|------------------|
| <b>Basic Operation</b>            |             |  |                                 |      |     |                  |
| Operating Voltage                 | $V_{IN}$    |  | 1.8                             | -    | 5.5 | V                |
| Quiescent Current                 | $I_Q$       | $I_{OUT} = 0\text{mA}$   | $V_{IN} = 1.8$ to $3.3\text{V}$ | -    | 95  | $\mu\text{A}$    |
|                                   |             |  | $V_{IN} = 3.3$ to $5.5\text{V}$ | -    | 110 |                  |
| $V_{IN}$ Shutdown Current         |             | $V_{ON} = 0\text{V}$ , $V_{IN} = 5.5\text{V}$ , $V_{OUT}$ short to GND | -                               | -    | 2   | $\mu\text{A}$    |
| $V_{OUT}$ Shutdown Current        |             | $V_{ON} = 0\text{V}$ , $V_{OUT} = 5.5\text{V}$ , $V_{IN}$ short to GND | -                               | -    | 2   | $\mu\text{A}$    |
| On-Resistance                     | $R_{ON}$    | $T_A = 25^\circ\text{C}$ , $I_{OUT} = 50\text{mA}$                     | -                               | 125  | 160 | $\text{m}\Omega$ |
|                                   |             | $T_A = -40$ to $+85^\circ\text{C}$ , $I_{OUT} = 50\text{mA}$           | -                               | 150  | -   |                  |
| ON Input Logic High Voltage (ON)  | $V_{IH}$    | $V_{IN} = 1.8\text{V}$   | 0.75                            | -    | -   | V                |
|                                   |             | $V_{IN} = 5.5\text{V}$   | 1.30                            | -    | -   |                  |
| ON Input Logic Low Voltage        | $V_{IL}$    | $V_{IN} = 1.8\text{V}$   | -                               | -    | 0.5 | V                |
|                                   |             | $V_{IN} = 5.5\text{V}$   | -                               | -    | 1.0 |                  |
| ON Input Leakage                  |             | $V_{ON} = V_{IN}$ or GND   | -                               | -    | 1   | $\mu\text{A}$    |
| Off Switch Leakage                | $I_{SWOFF}$ | $V_{ON} = 0\text{V}$ , $V_{OUT} = 0\text{V}$                           | -                               | -    | 1   | $\mu\text{A}$    |
| FLAGB Output Logic Low Voltage    |             | $V_{IN} = 5\text{V}$ , $I_{SINK} = 10\text{mA}$                        | -                               | 0.1  | 0.2 | V                |
|                                   |             | $V_{IN} = 1.8\text{V}$ , $I_{SINK} = 10\text{mA}$                      | -                               | 0.15 | 0.3 |                  |
| FLAGB Output High Leakage Current |             | $V_{IN} = 5\text{V}$ , Switch on                                       | -                               | -    | 1   | $\mu\text{A}$    |
| <b>Protections</b>                |             |  |                                 |      |     |                  |
| Current Limit                     | $I_{LIM}$   | $V_{IN} = 3.3\text{V}$ , $V_{OUT} = 3.0\text{V}$                       | 200                             | 300  | 400 | $\text{mA}$      |
| Thermal Shutdown                  |             | Shutdown Threshold   | -                               | 140  | -   | $^\circ\text{C}$ |
|                                   |             | Return from Shutdown   | -                               | 130  | -   |                  |
|                                   |             | Hysteresis   | -                               | 10   | -   |                  |
| Under Voltage Shutdown            | UVLO        | $V_{IN}$ Increasing  | 1.5                             | 1.6  | 1.7 | V                |
| Under Voltage Shutdown Hysteresis |             |  | -                               | 50   | -   | $\text{mV}$      |

## Electrical Characteristics Cont.

$V_{IN} = 1.8$  to  $5.5V$ ,  $T_A = -40$  to  $+85^{\circ}C$  unless otherwise noted. Typical values are at  $V_{IN} = 3.3V$  and  $T_A = 25^{\circ}C$ .

| Parameter                   | Symbol        | Conditions  | Min. | Typ. | Max | Units   |
|-----------------------------|---------------|---|------|------|-----|---------|
| <b>Dynamic</b>              |               |   |      |      |     |         |
| Turn on time                | $t_{ON}$      | $RL=500\Omega$ , $CL=0.1\mu F$                              | -    | 25   | -   | $\mu s$ |
| Turn off time               | $t_{OFF}$     | $RL=500\Omega$ , $CL=0.1\mu F$                              | -    | 50   | -   | $\mu s$ |
| $V_{OUT}$ Rise Time         | $t_{RISE}$    | $RL=500\Omega$ , $CL=0.1\mu F$                              | -    | 12   | -   | $\mu s$ |
| $V_{OUT}$ Fall Time         | $t_{FALL}$    | $RL=500\Omega$ , $CL=0.1\mu F$                              | -    | 120  | -   | $\mu s$ |
| Over Current Blanking Time  | $t_{BLANK}$   |   | 15   | 30   | 60  | ms      |
| Auto-Restart Time           | $t_{RESTART}$ |   | 240  | 480  | 960 | ms      |
| Short Circuit Response Time |               | $V_{IN} = V_{ON} = 3.3V$ . Moderate Over-Current Condition. | -    | 3    | -   | $\mu s$ |
|                             |               | $V_{IN} = V_{ON} = 3.3V$ . Hard Short.                      | -    | 20   | -   | ns      |

**Note 1:** Package power dissipation on 1square inch pad, 2 oz copper board.

## Typical Characteristics

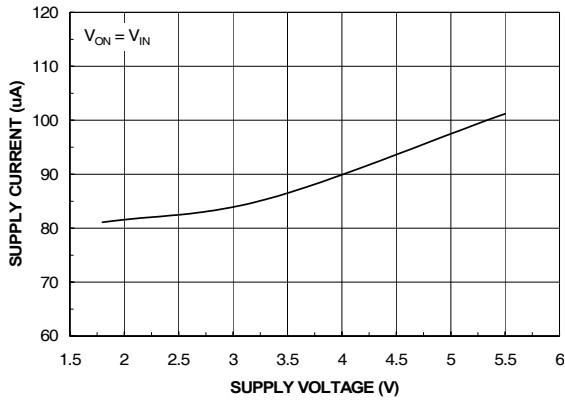


Figure 1. Quiescent Current vs. Input Voltage

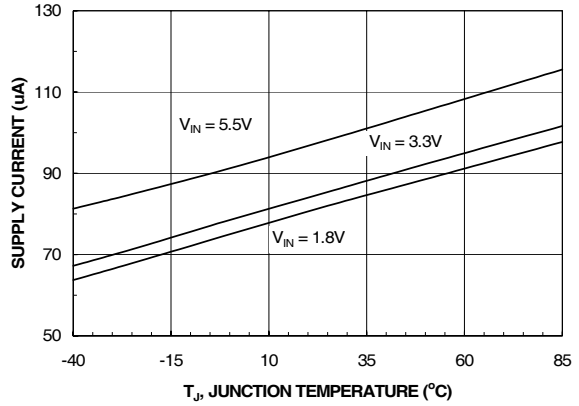


Figure 2. Quiescent Current vs. Temperature

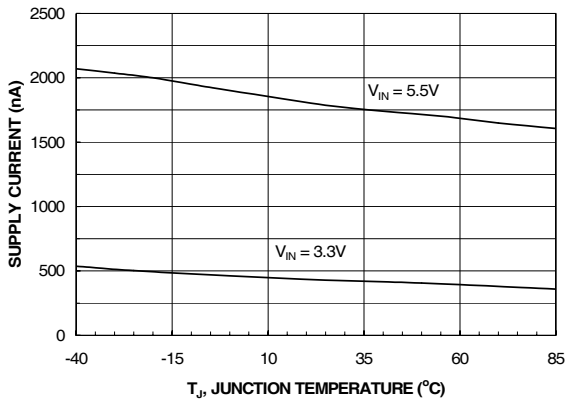


Figure 3.  $I_{SHUTDOWN}$  Current vs. Temperature

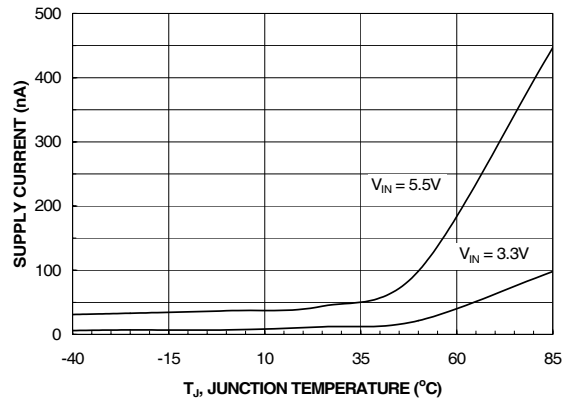


Figure 4.  $I_{SWITCH-OFF}$  Current vs. Temperature

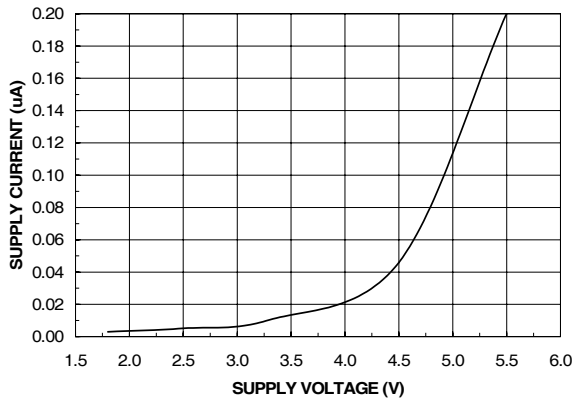


Figure 5. Reverse Current vs. Output Voltage

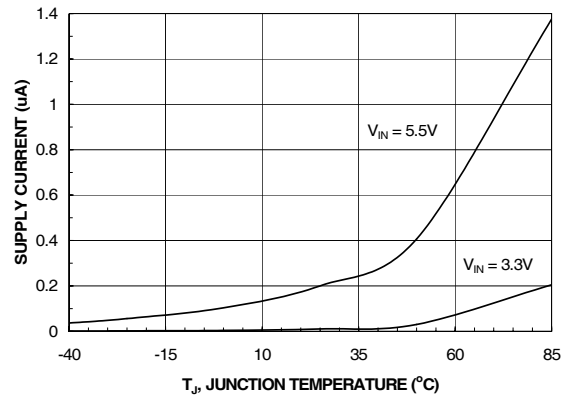


Figure 6. Reverse Current vs. Temperature

## Typical Characteristics

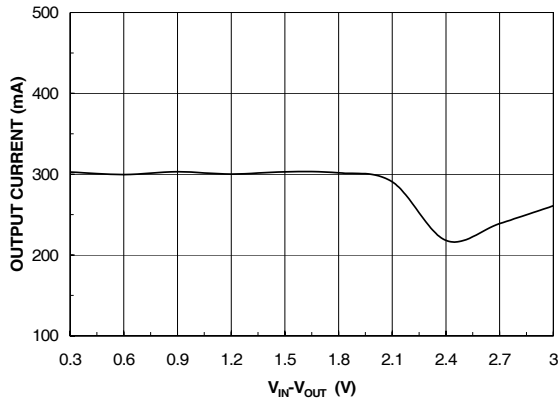


Figure 7. Current Limit vs. Output Voltage

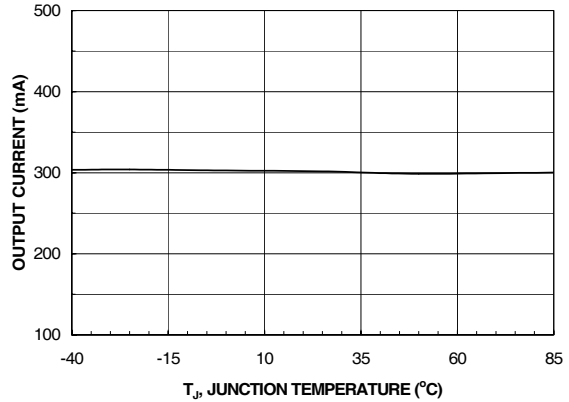


Figure 8. Current Limit vs. Temperature

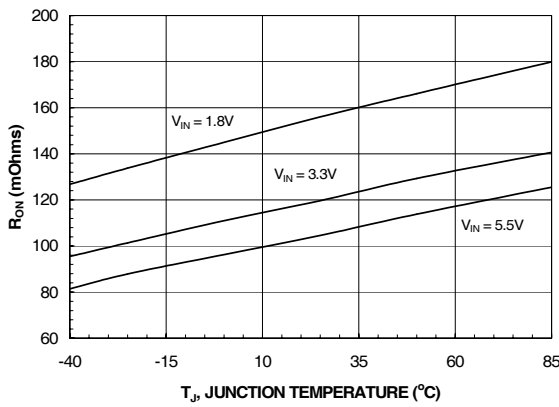


Figure 9.  $R_{(ON)}$  vs. Temperature

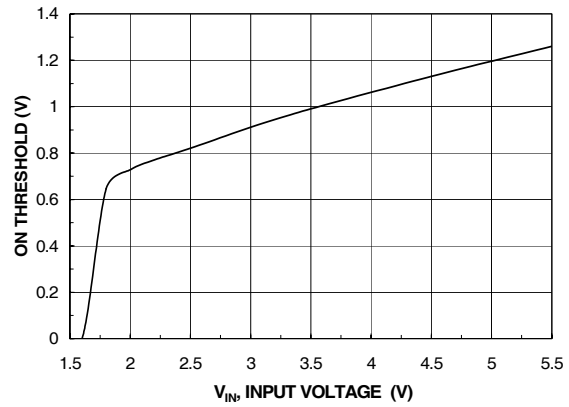


Figure 10. On Threshold vs.  $V_{IN}$

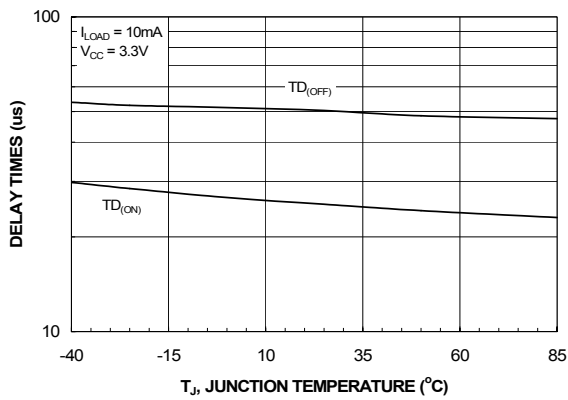


Figure 11.  $T_{ON}/T_{Off}$  vs. Temperature

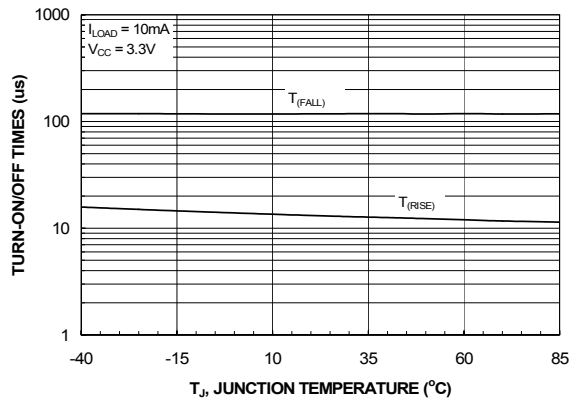


Figure 12.  $T_{RISE}/T_{FALL}$  vs. Temperature

### Typical Characteristics

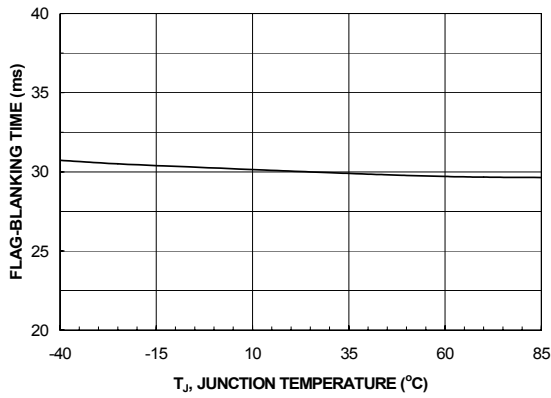


Figure 13. T<sub>BLANK</sub> vs Temperature

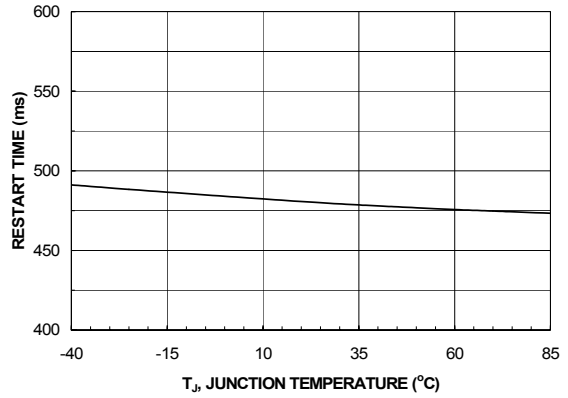


Figure 14. T<sub>RESTART</sub> vs Temperature

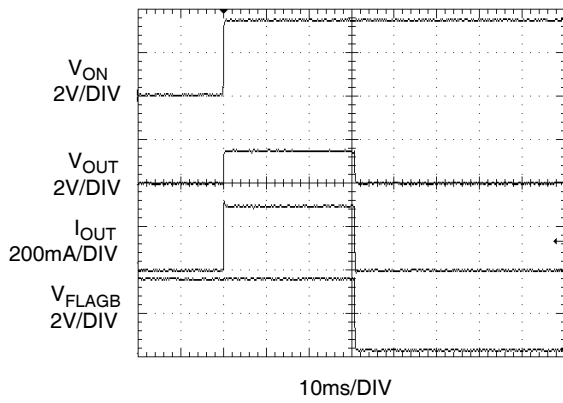


Figure 15. T<sub>BLANK</sub> Response

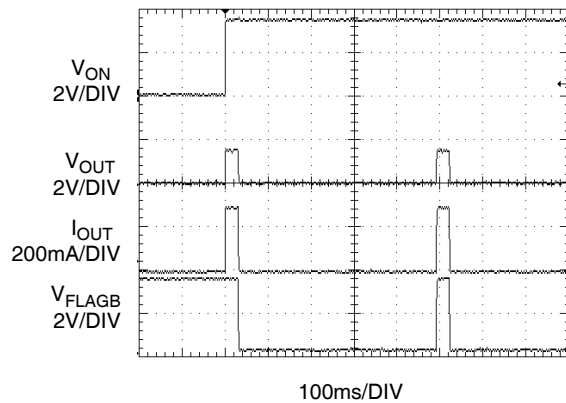


Figure 16. T<sub>RESTART</sub> Response

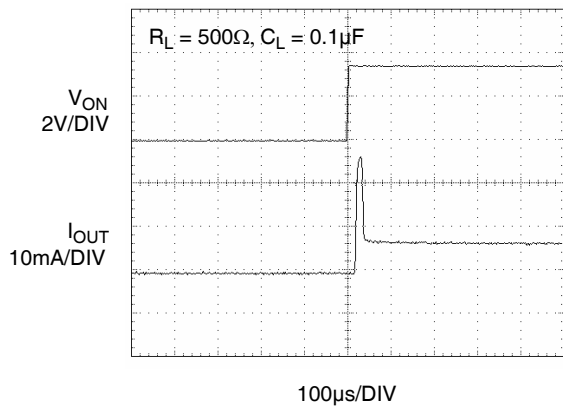


Figure 17. T<sub>ON</sub> Response

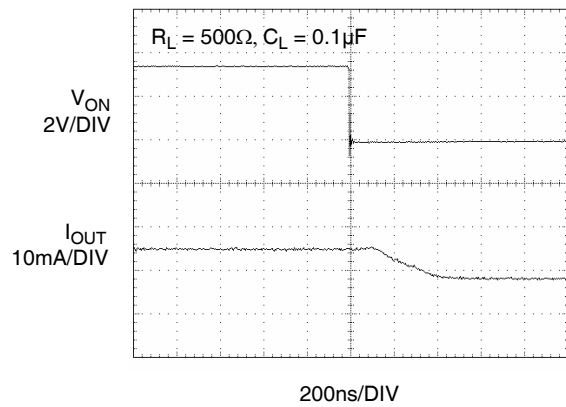


Figure 18. T<sub>OFF</sub> Response

### Typical Characteristics

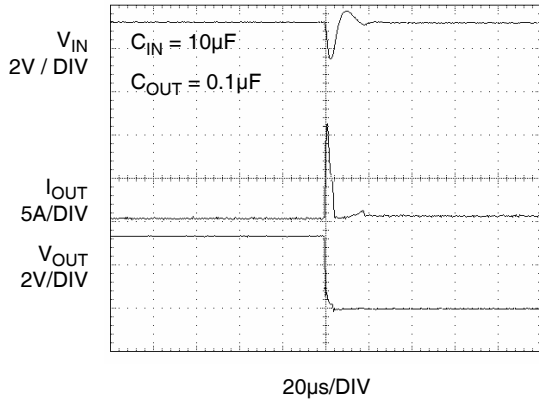


Figure 19. Short Circuit Response Time (Output Shorted to GND)

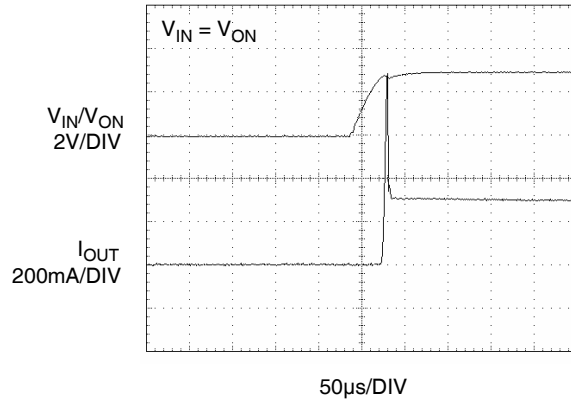


Figure 20. Current Limit Response (Switch power up to hard short)

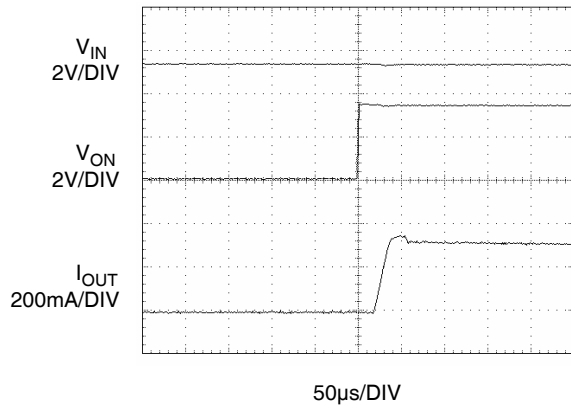


Figure 21. Current Limit Response Time (Output Shorted to GND by 10Ω, moderate short)



## Description of Operation

The FPF2116 is a current limited switch that protects systems and loads which can be damaged or disrupted by the application of high currents. The core of the device is a 0.125Ω P-channel MOSFET and a controller capable of functioning over a wide input operating range of 1.8-5.5V. The controller protects against system malfunctions through current limiting, under-voltage lockout and thermal shutdown. The current limit is preset for 200mA.

### On/Off Control

The ON pin controls the state of the switch. Activating ON continuously holds the switch in the on state so long as there is no fault. An under-voltage on  $V_{IN}$  or a junction temperature in excess of 150°C overrides the ON control to turn off the switch. In addition, excessive current will cause the switch to turn off. The part has an Auto-Restart feature which will automatically turn the switch on again after 480 ms. ON is active HI and has a low threshold making it capable of interfacing with low voltage signals. When the MOSFET is off, the body diode is disabled so no current can flow through it.

### Fault Reporting

Upon the detection of an over-current, an input under-voltage, or an over-temperature condition, the FLAGB signals the fault mode by immediately activating LO. The FLAGB goes LO at the end of the blanking time. It will remain LO during the fault and immediately returns HI at the end of the fault condition. FLAGB is an open-drain MOSFET which requires a pull-up resistor between  $V_{IN}$  and FLAGB. During shutdown, the pull-down on FLAGB is disabled to reduce current draw from the supply.

### Current Limiting

The current limit ensures that the current through the switch doesn't exceed 400mA while not limiting at less than 200mA. The part has a blanking time of 30 ms, nominally, during which the switch will act as a constant current source. At the end of the blanking time, the switch will be turned-off and the FLAGB pin will activate to indicate that current limiting has occurred.

### Under-Voltage Lockout

The under-voltage lockout turns-off the switch if the input voltage drops below the under-voltage lockout threshold. With the ON pin active the input voltage rising above the under-voltage lockout threshold will cause a controlled turn-on of the switch which limits current over-shoots.

### Thermal Shutdown

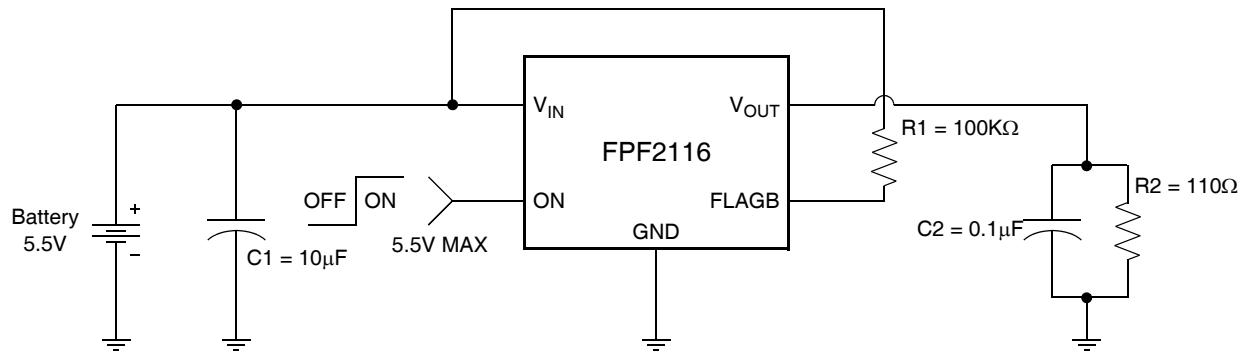
The thermal shutdown protects the part from internally or externally generated excessive temperatures. During an over-temperature condition the FLAGB is activated and the switch is turned-off. The switch automatically turns-on again if temperature of the die drops below the threshold temperature.

## Ordering Information

| Part    | Current Limit [mA] | Current Limit Blanking Time [ms] | Auto-Restart Time [ms] | ON Pin Activity | Top Mark |
|---------|--------------------|----------------------------------|------------------------|-----------------|----------|
| FPF2116 | 200                | 30                               | 480                    | Active HI       | 2116     |

## Application Information

### Typical Application



### Input Capacitor

To limit the voltage drop on the input supply caused by transient in-rush currents when the switch turns-on into a discharged load capacitor or a short-circuit, a capacitor needs to be placed between  $V_{IN}$  and GND. A 0.1µF ceramic capacitor,  $C_{IN}$ , placed close to the pins is usually sufficient. Higher values of  $C_{IN}$  can be used to further reduce the voltage drop.

### Output Capacitor

A 0.1µF capacitor  $C_{OUT}$ , should be placed between  $V_{OUT}$  and GND. This capacitor will prevent parasitic board inductances from forcing  $V_{OUT}$  below GND when the switch turns-off. The total output capacitance needs to be kept below a maximum value,  $C_{OUT(max)}$ , to prevent the part from registering an over-current condition and turning off the switch. The maximum output capacitance can be determined from the following formula,

$$C_{OUT(max)} = \frac{I_{LIM(min)} \times t_{BLANK(min)}}{V_{IN}} \quad (1)$$

### Power Dissipation

During normal operation as a switch, the power dissipation is small and has little effect on the operating temperature of the part. The parts with the higher current limits will dissipate the most power and that will only be,

$$P = (I_{LIM})^2 \times R_{DS} = (0.4)^2 \times 0.125 = 20mW \quad (2)$$

When in current limit the maximum power dissipation will occur when the output is shorted to ground. The power dissipation will scale by the Auto-Restart Time,  $t_{RSTRT}$ , and the Over Current Blanking Time,  $t_{BLANK}$ , so that the maximum power dissipated is typically,

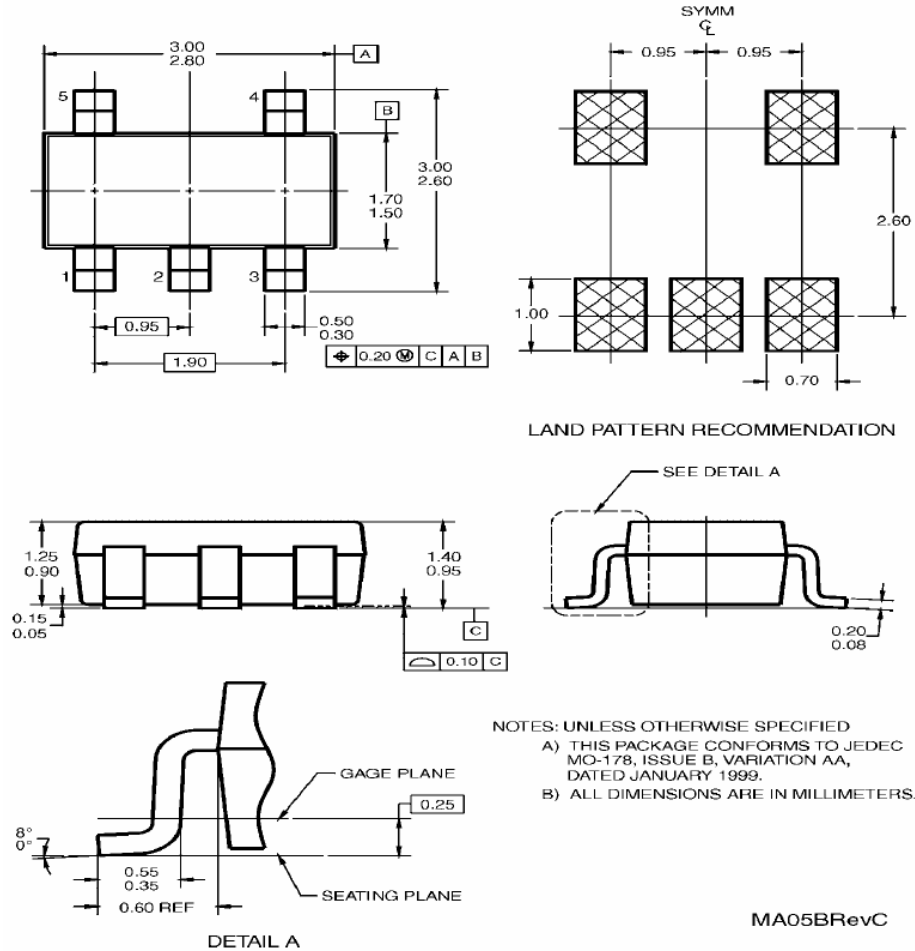
$$\begin{aligned} P(max) &= \frac{t_{BLANK}}{t_{RETRY} + t_{BLANK}} \times V_{IN(max)} \times I_{LIM(max)} \\ &= \frac{60}{60 + 960} \times 5.5 \times 0.4 = 130mW \end{aligned} \quad (3)$$

### Board Layout

For best performance, all traces should be as short as possible. To be most effective, the input and output capacitors should be placed close to the device to minimize the effects that parasitic trace inductances may have on normal and short-circuit operation. Using wide traces for  $V_{IN}$ ,  $V_{OUT}$  and GND will help minimize parasitic electrical effects along with minimizing the case to ambient thermal impedance.

# Dimensional Outline and Pad Layout

## Package MA05B



5-Lead SOT23, JEDEC MO-178, 1.6mm  
 Package Number MA05B

MA05BRevC

## TRADEMARKS

The following are registered and unregistered trademarks Fairchild Semiconductor owns or is authorized to use and is not intended to be an exhaustive list of all such trademarks.

|                                      |                     |               |                     |                 |
|--------------------------------------|---------------------|---------------|---------------------|-----------------|
| ACEx™                                | FAST®               | ISOPLANAR™    | PowerSaver™         | SuperSOT™-6     |
| ActiveArray™                         | FASTR™              | LittleFET™    | PowerTrench®        | SuperSOT™-8     |
| Bottomless™                          | FPST™               | MICROCOUPLER™ | QFET®               | SyncFET™        |
| Build it Now™                        | FRFET™              | MicroFET™     | QS™                 | TinyLogic®      |
| CoolFET™                             | GlobalOptoisolator™ | MicroPak™     | QT Optoelectronics™ | TINYOPTO™       |
| CROSSVOLT™                           | GTO™                | MICROWIRE™    | Quiet Series™       | TruTranslation™ |
| DOME™                                | HiSeC™              | MSX™          | RapidConfigure™     | UHC™            |
| EcoSPARK™                            | I <sup>2</sup> C™   | MSXPro™       | RapidConnect™       | UltraFET®       |
| E <sup>2</sup> C MOS™                | i-Lo™               | OCX™          | µSerDes™            | UniFET™         |
| EnSigna™                             | ImpliedDisconnect™  | OCXPro™       | ScalarPump™         | VCX™            |
| FACT™                                | IntelliMAX™         | OPTOLOGIC®    | SILENT SWITCHER®    | Wire™           |
| FACT Quiet Series™                   |                     | OPTOPLANAR™   | SMART START™        |                 |
|                                      |                     | PACMAN™       | SPM™                |                 |
| Across the board. Around the world.™ |                     | POP™          | Stealth™            |                 |
| The Power Franchise®                 |                     | Power247™     | SuperFET™           |                 |
| Programmable Active Droop™           |                     | PowerEdge™    | SuperSOT™-3         |                 |

## DISCLAIMER

FAIRCHILD SEMICONDUCTOR RESERVES THE RIGHT TO MAKE CHANGES WITHOUT FURTHER NOTICE TO ANY PRODUCTS HEREIN TO IMPROVE RELIABILITY, FUNCTION OR DESIGN. FAIRCHILD DOES NOT ASSUME ANY LIABILITY ARISING OUT OF THE APPLICATION OR USE OF ANY PRODUCT OR CIRCUIT DESCRIBED HEREIN; NEITHER DOES IT CONVEY ANY LICENSE UNDER ITS PATENT RIGHTS, NOR THE RIGHTS OF OTHERS.

## LIFE SUPPORT POLICY

FAIRCHILD'S PRODUCTS ARE NOT AUTHORIZED FOR USE AS CRITICAL COMPONENTS IN LIFE SUPPORT DEVICES OR SYSTEMS WITHOUT THE EXPRESS WRITTEN APPROVAL OF FAIRCHILD SEMICONDUCTOR CORPORATION.

As used herein:

- Life support devices or systems are devices or systems which, (a) are intended for surgical implant into the body, or (b) support or sustain life, or (c) whose failure to perform when properly used in accordance with instructions for use provided in the labeling, can be reasonably expected to result in significant injury to the user.
- A critical component is any component of a life support device or system whose failure to perform can be reasonably expected to cause the failure of the life support device or system, or to affect its safety or effectiveness.

## PRODUCT STATUS DEFINITIONS

### Definition of Terms

| Datasheet Identification | Product Status         | Definition  |
|--------------------------|------------------------|---|
| Advance Information      | Formative or In Design | This datasheet contains the design specifications for product development. Specifications may change in any manner without notice.  |
| Preliminary              | First Production       | This datasheet contains preliminary data, and supplementary data will be published at a later date. Fairchild Semiconductor reserves the right to make changes at any time without notice in order to improve design. |
| No Identification Needed | Full Production        | This datasheet contains final specifications. Fairchild Semiconductor reserves the right to make changes at any time without notice in order to improve design.   |
| Obsolete                 | Not In Production      | This datasheet contains specifications on a product that has been discontinued by Fairchild semiconductor. The datasheet is printed for reference information only.   |

Rev. 117