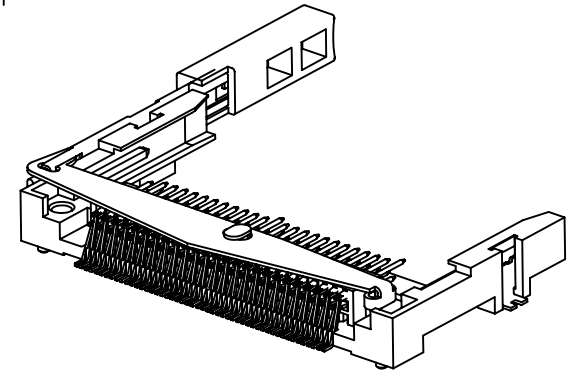
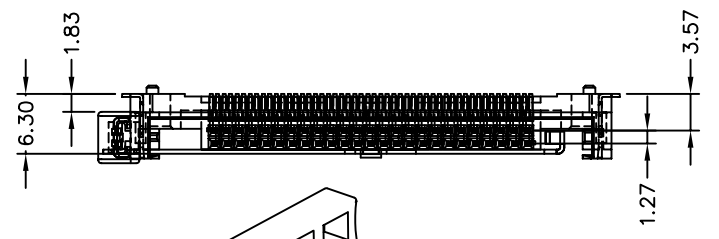
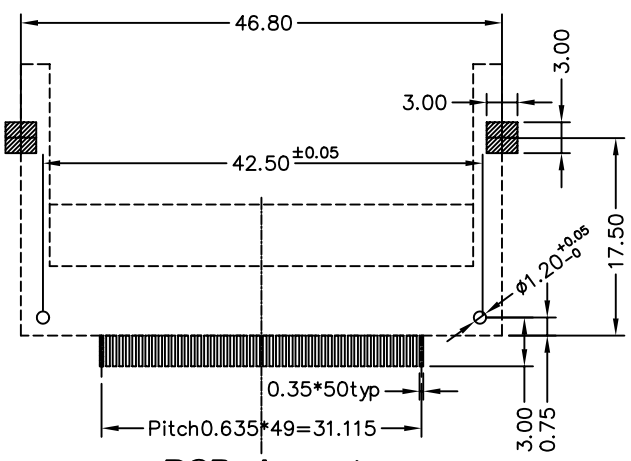


NOTE:

- A. Material:**
1. Housing : LCP 30% G.F. , UL94-V0 rated
 2. Contact : Copper ally
 3. Pad : Brass
 4. Rotating arm : Stainless steel t=0.40
 5. Push bar : Stainless steel t=0.30
 6. Button : PBT 30% G.F. , UL94-V0 rated
- B. Plating**
1. Contact : Underplating 50u" min Nickel, Contant area 15u" AU over Nickel plated. Solder tail 100u" min Sn/Pb over Nickel plated.
 2. Ped : 100u" min Sn/Pb over 50u" min Nickel plated.



Right hand push+Button



PCB Layout

Dimension L

Pin type	Circuit No.	Dimensions mm
Detect	1,13,38,50	5.0 ± 0.1
General	2 to 12 , 14 to 24 27 to 37 , 39 to 49	4.25 ± 0.1
Power	25 , 26	3.5 ± 0.1

PART NO. CFC-PW122RS-50

DWG NO. CFC-PW122RS-50

FILE NO.

UNIT / mm

SCALE 1:1

APPROVED BY CY

DRAWING BY

PROJECTION

TOLERANCES ARE

.X ±0.125
.XX ±0.050
.XXX±0.010

DESCRIPTION: Compact Flash Card Socket SMT TYPE
(Reverse type fit Type I CF Card)
Stand Off : 2.1mm & POST L=42.5mm

AREA	REVISIONS	HK	DATE