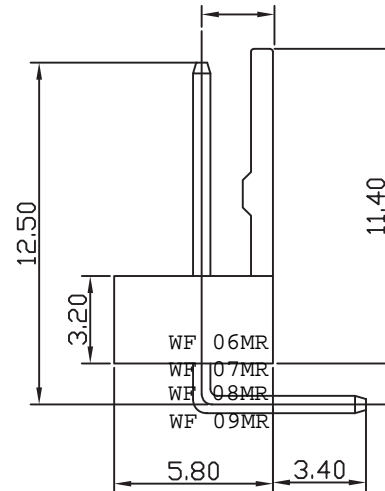
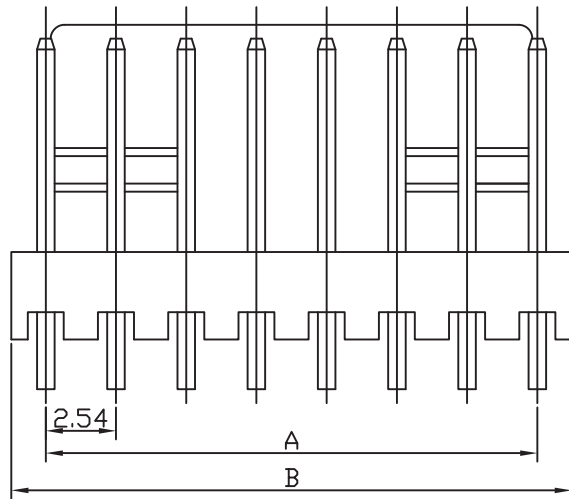
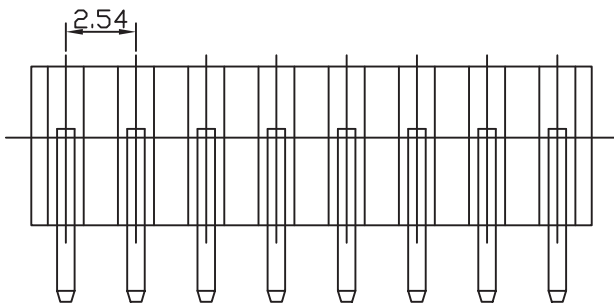


### Specifications

Current Rating: 2A AC, DC  
 Voltage Rating: 250 AC Maximum  
 Operating Temp: -25°C ~ + 85°C  
 Contact Resistance: 10MΩ Max  
 Insulation Resistance: 1000MΩ Min  
 Terminal Material: Brass/ Tin-plated/ Gold-plated  
 Material: Nylon 66, UL94V-2



Poles	Dimension mm (in.)		Part No.
	A	B	
2	2.54(0.100)	5.12(0.202)	WF 02MR
3	5.08(0.200)	7.66(0.302)	WF 03MR
4	7.62(0.300)	10.20(0.402)	WF 04MR
5	10.16(0.400)	12.74(0.502)	WF 05MR
6	12.70(0.500)	15.30(0.602)	WF 06MR
7	15.24(0.600)	17.94(0.706)	WF 07MR
8	17.78(0.700)	20.48(0.806)	WF 08MR
9	20.32(0.800)	23.02(0.906)	WF 09MR
10	22.86(0.900)	25.58(1.007)	WF 10MR
11	25.40(1.000)	28.12(1.107)	WF 11MR
12	27.94(1.100)	30.68(1.208)	WF 12MR
13	30.48(1.200)	33.10(1.303)	WF 13MR
14	33.02(1.300)	35.80(1.409)	WF 14MR
15	35.56(1.400)	38.34(1.509)	WF 15MR
16	38.10(1.500)	40.94(1.612)	WF 16MR
17	40.64(1.600)	43.30(1.705)	WF 17MR
18	43.18(1.700)	45.90(1.807)	WF 18MR
19	45.72(1.800)	48.56(1.912)	WF 19MR
20	48.26(1.900)	50.80(2.000)	WF 20MR



### RoHS Compliant

TOLERANCES ARE

- X. ±
- .X ± 0.35
- .XX ± 0.25
- .XXX ±
- ANG ±