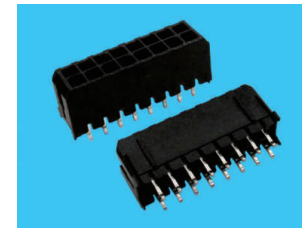


Specifications:

Current Rating: 5.0A AC/DC
 Voltage Rating: 250V AC/DC
 Contact Resistance: 10m ohm. Max.
 Insulation Resistance: 1000M ohm. Min.
 Withstanding Voltage: AC 1500V AC/minute
 Operating Temperature Range: $-25^{\circ}\text{C} \sim +105^{\circ}\text{C}$
 Material and Finish
 Insulator: High Temp. Plastic (Nylon 46 UL94V-0)
 Insulator Color: Black
 Contact: Copper Alloy
 Finish: Tin Plated

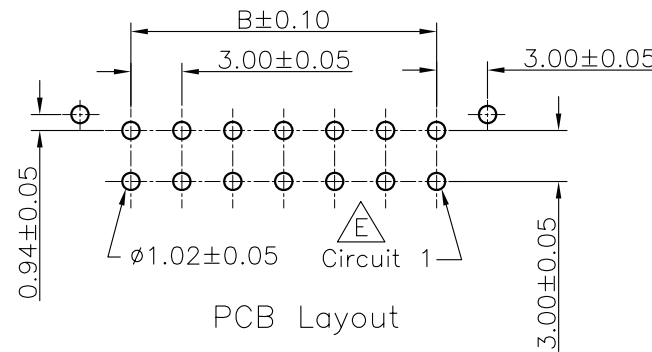
RoHS Compliant



TOLERANCES ARE

- X. ±
- .X ± 0.20
- .XX ± 0.10
- .XXX ±
- ANG ±

Circuits	Dimension		Circuits	Dimension	
	A	B		A	B
2	6.7	—	14	24.7	18.0
4	9.7	3.0	16	27.7	21.0
6	12.7	6.0	18	30.7	24.0
8	15.7	9.0	20	33.7	27.0
10	18.7	12.0	22	36.7	30.0
12	21.7	15.0	24	39.7	33.0



DESCRIPTION: 3.0mm Pitch Power Wafer Straight Type