

DETAILS

Product Number	C11255_STRADA-DW
Family	Strada-D
Type	Lens
Color	clear
Diameter	19,6 x 15,7 mm
Height	9 mm
Style	rectang
Optic Material	PMMA
Holder Material	
Fastening	
Status	production ready
ROHS Compliant	Yes
Date Updated	3/03/2014



OPTICAL PROPERTIES

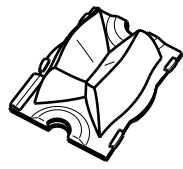
LED	Viewing Angle	Light Beam	Efficiency	cd/lm	Connector
XP-G	88+148 deg	Streetligh...	92 %	0.840	-
XP-E	90+140 deg	Streetligh...	92 %	1.030	-
LUXEON Rebel	86+140 deg	Streetligh...	92 %	1.010	-
LUXEON Rebel ES	86+140 deg	Streetligh...	92 %	-	-
LUXEON A	86+140 deg	Streetligh...	92 %	-	-
NCSxx19A	86+148 deg	Streetligh...	92 %	-	-
NVSxx19A	86+148 deg	Streetligh...	92 %	-	-
Oslon SSL 80	92+142 deg	Streetligh...	92 %	0.970	-
Oslon SSL 150	92+142 deg	Streetligh...	92 %	-	-
Z5	90+140 deg	Streetligh...	92 %	-	-
Double Dome (GM2BB)	90+140 deg	Streetligh...	92 %	-	-

D

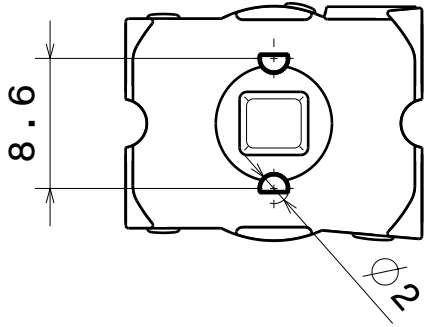
C

B

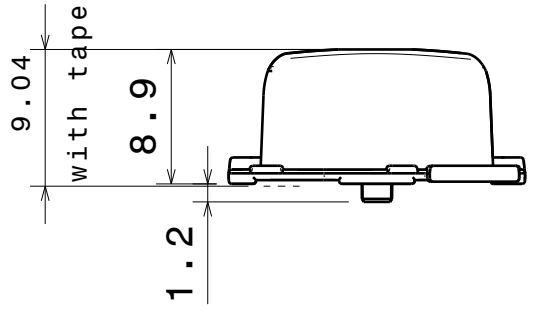
A



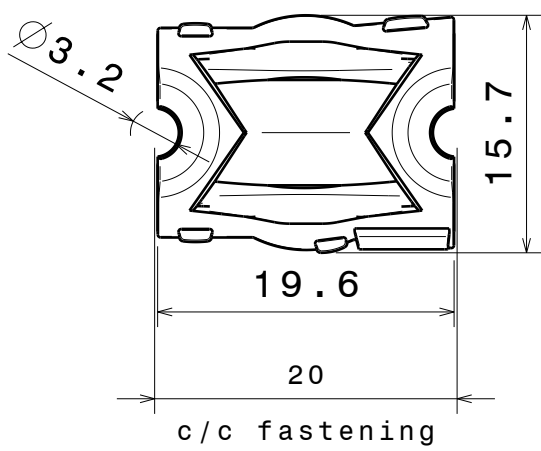
Isometric view
Scale: 1:1



Bottom view



Front view



Top view

Material: PMMA

This drawing is our property.
It can't be reproduced
or communicated without
our written agreement.



L
T
F
F

e
e
i
i
N
n

d

DRAWING TITLE

Datasheet Strada-DW lens Series

DRAWN BY
p

DATE
14.01.2010

CHECKED BY
t k

DATE
01.12.2009

SIZE
A4

DRAWING NUMBER
C11255

REV
1

DESIGNED BY
hh

DATE
01.12.2009

SCALE 2:1

WEIGHT (g)

SHEET

1/1

D

A

4

4

3

3

2

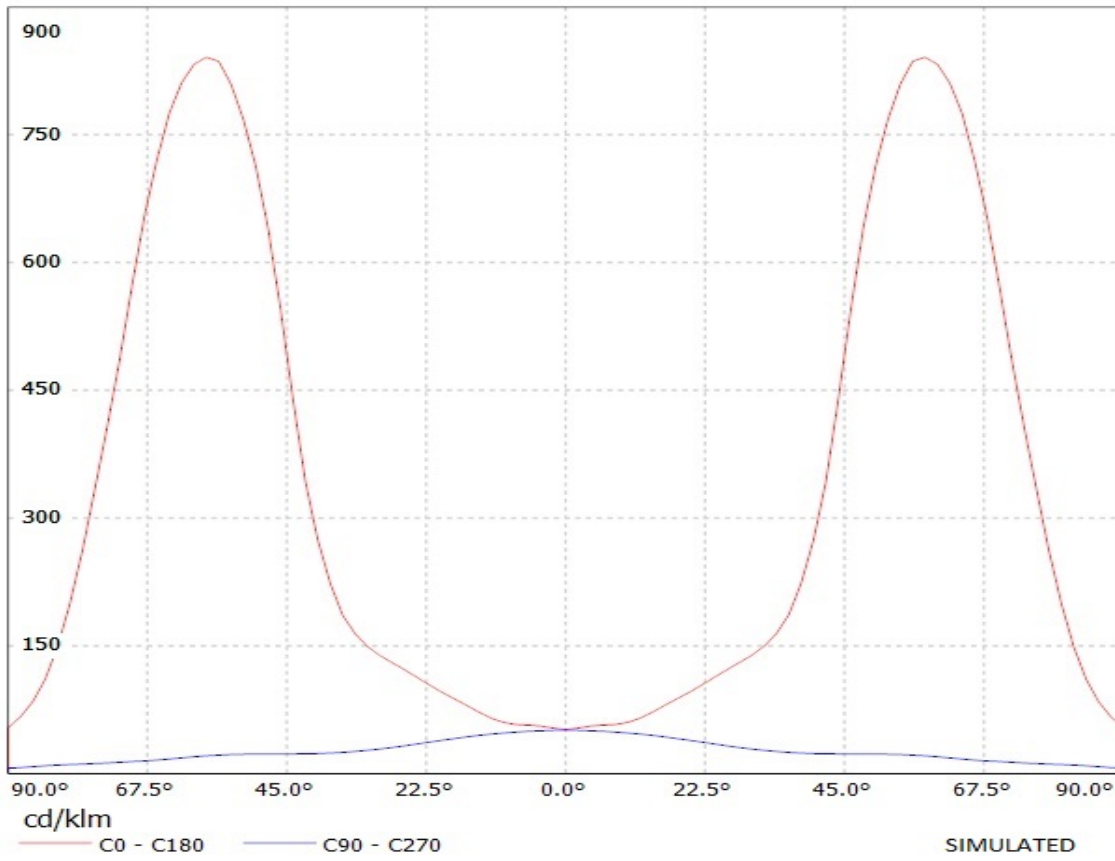
2

1

1

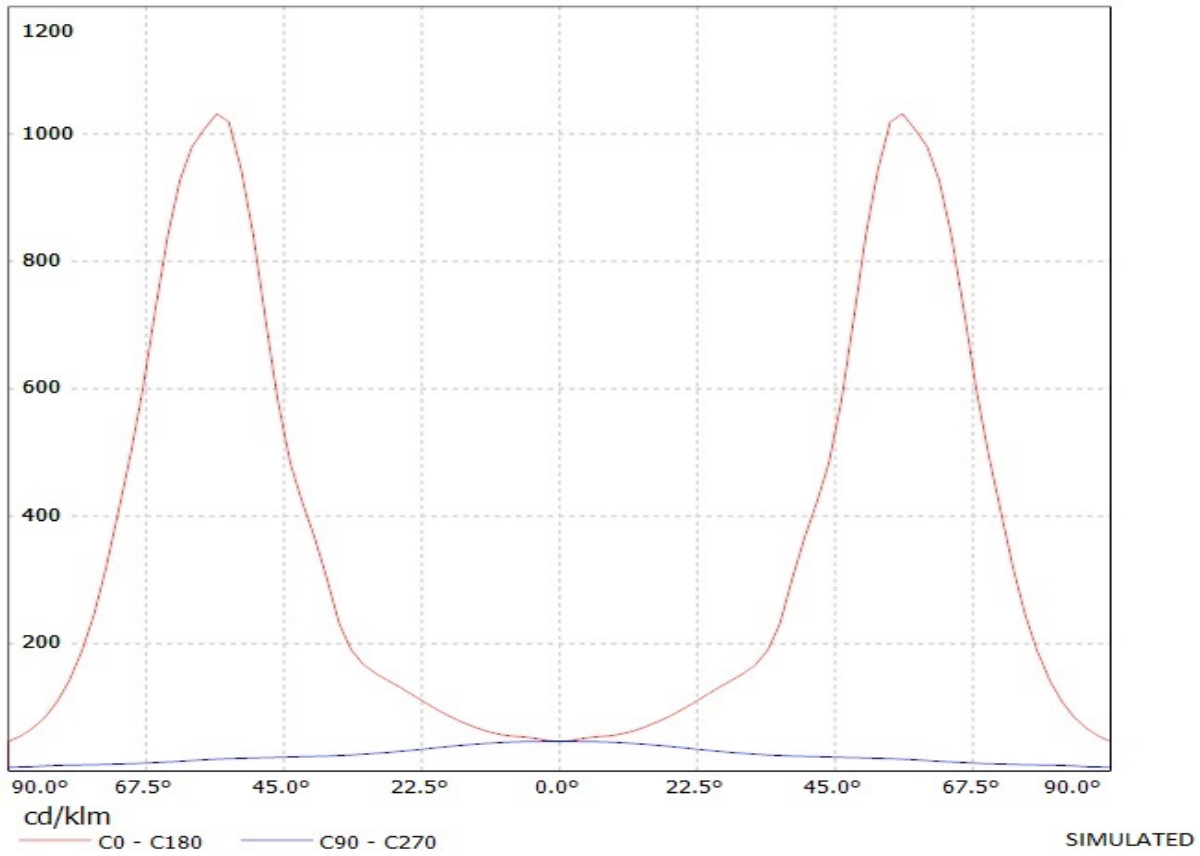
Ledil Oy C11255_Strada-DW-XP-G C11255_Strada-DW-XP-G / LDC (Linear)

Luminaire: Ledil Oy C11255_Strada-DW-XP-G C11255_Strada-DW-XP-G
Lamps: 1 x Cree XP-G (White)



Ledil Oy C11255_Strada-DW-XP C11255_Strada-DW-XP / LDC (Linear)

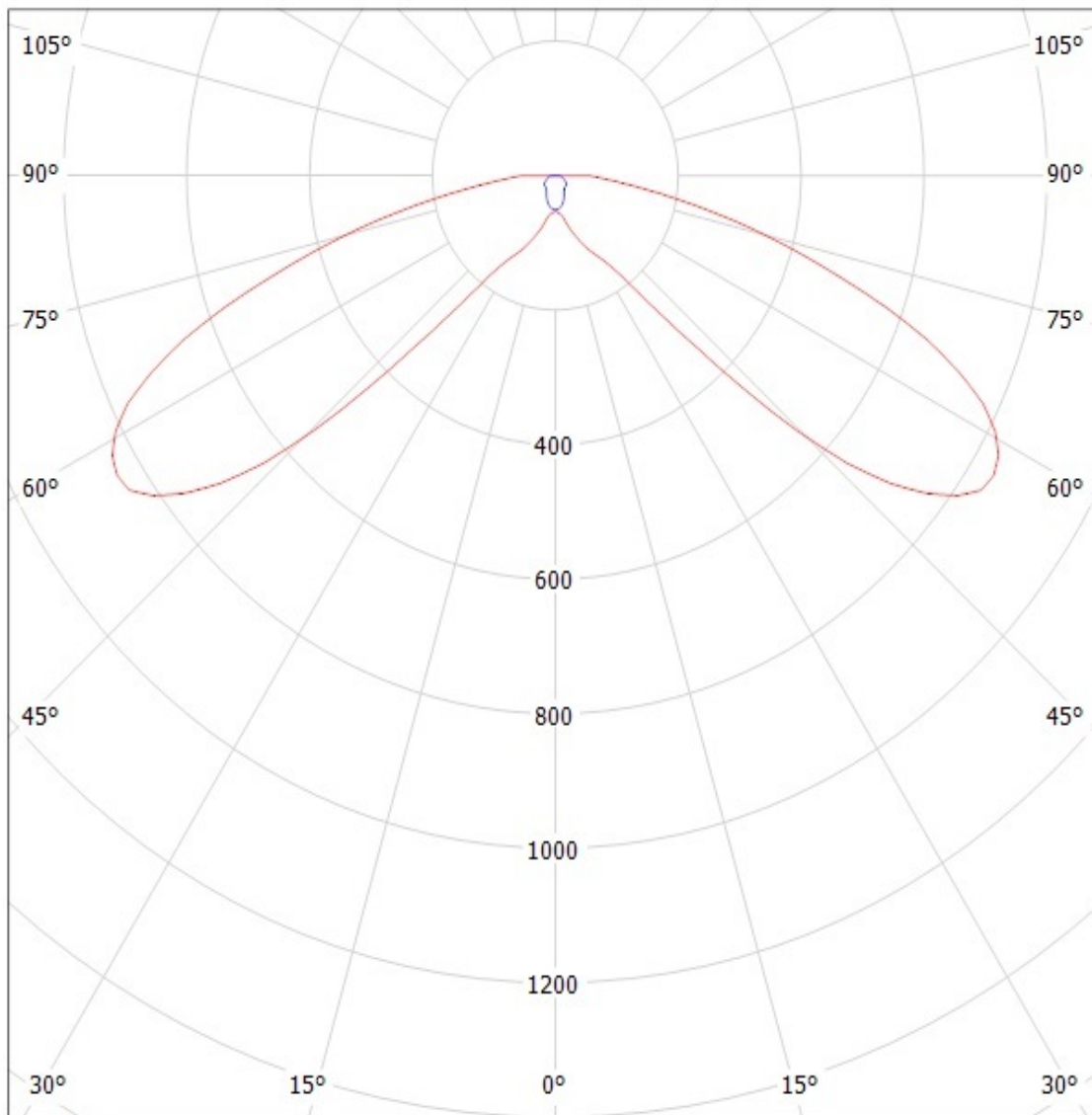
Luminaire: Ledil Oy C11255_Strada-DW-XP C11255_Strada-DW-XP
Lamps: 1 x Cree XP-E (White)



Ledil Oy C11255_Strada-DW-XP-G C11255_Strada-DW-XP-G / LDC (Polar)

Luminaire: Ledil Oy C11255_Strada-DW-XP-G C11255_Strada-DW-XP-G

Lamps: 1 x Cree XP-G (White)



cd/klm

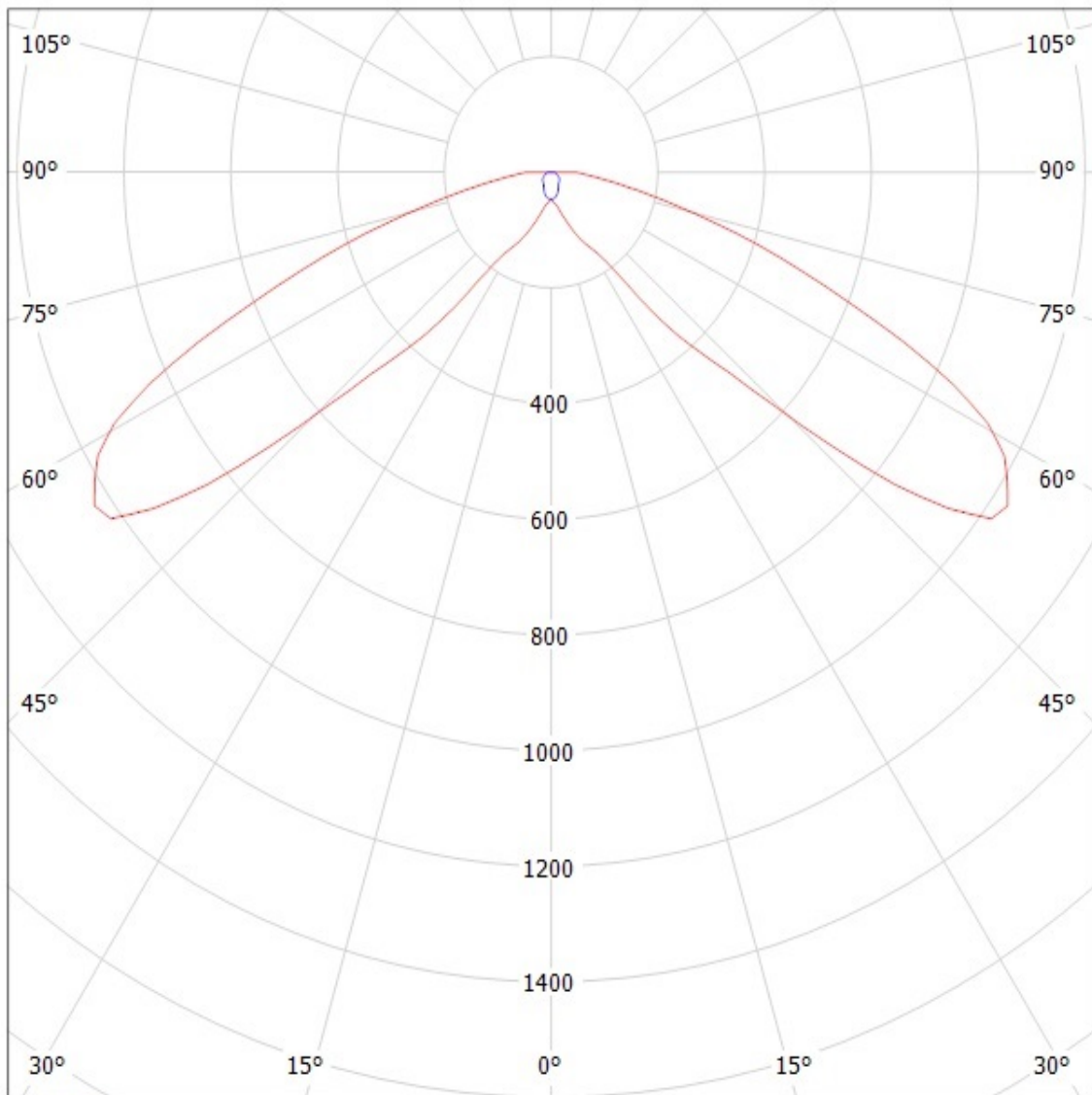
SIMULATED

— C0 - C180 — C90 - C270

Ledil Oy C11255_Strada-DW-XP C11255_Strada-DW-XP / LDC (Polar)

Luminaire: Ledil Oy C11255_Strada-DW-XP C11255_Strada-DW-XP

Lamps: 1 x Cree XP-E (White)



cd/klm

— C0 - C180

— C90 - C270

SIMULATED

NOTE: The typical divergence will be changed by different color, chip size and chip position tolerance. The typical total divergence is the full angle measured where the luminous intensity is half of the peak value.