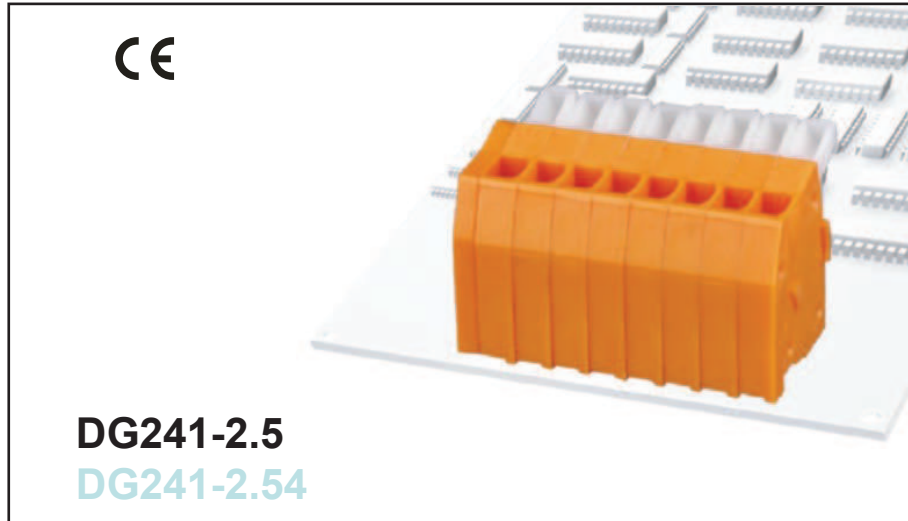


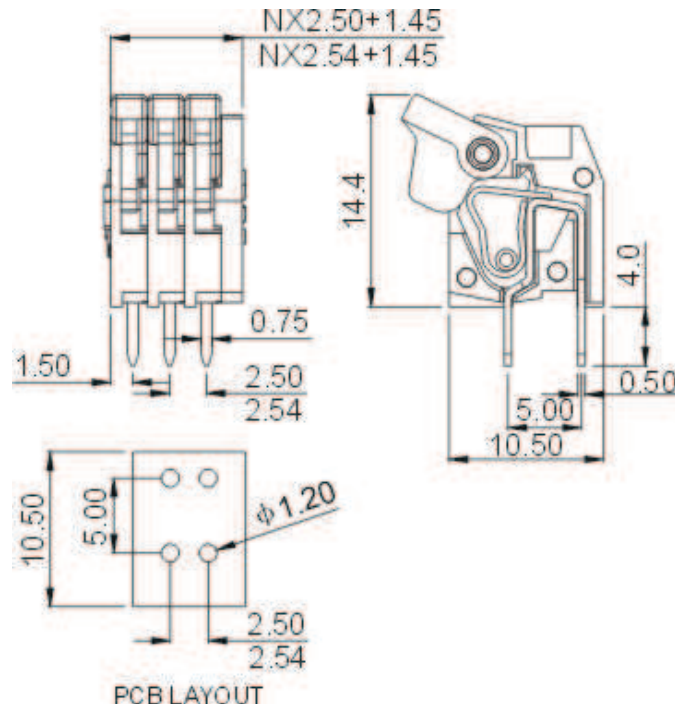


# DEGSON ELECTRONICS CO., LTD.

## Product Specification

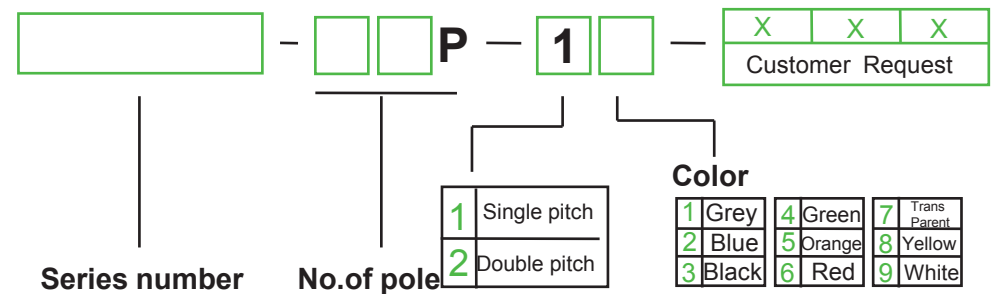


**DG241-2.5**  
DG241-2.54



<b>Approval</b>	CE	
<b>Electrical</b>		
<b>Standard</b>	UL	IEC
Rated voltage	150V	130V
Rated current	4A	6A
Wire range	28-20AWG	0.5mm <sup>2</sup>
Withstanding voltage	AC1250V/1Min	
<b>Mechanical</b>		
Ambient temperature	-40°C~+105 °C	
Strip length	5-6mm	
<b>Dimensions</b>		
Pitch	2.5mm(.098" ) 2.54 (.100" )	
Poles	1P-XXP	
<b>Material</b>		
Housing	PA66,UL94V-0	
Pin header	Phosphor bronze,Tin plated	
Wire guard	Stainless steel	

### HOW TO ORDER :



 mm (INCH)	<b>DEGSON ELECTRONICS CO., LTD.</b>
 THROANGLE PROJECTION	<b>NAME</b> <b>DG241-2.5, DG241-2.54</b>