

## Data sheet

Commercial Art.No.: 25.372.3753.0

PCB pin header 8313 S / 7 W OB

PCB pin header with pin header, connection method depends on used socket part , 7 poles, pitch: 7.5 mm, type of packing: carton, color: grey



Commercial Art.No.	25.372.3753.0
EAN	4015573197572
Order Unit	50

Certificates / Approvals



## Technical data

### General

Modular spacing	7.5 mm
Soldering process	Wave soldering
Packaging	Carton
Number of poles	7
Number of levels	1
Marking	No
Fastening	None
Mating direction towards (circuit) board	180°

### Technical data

Rated current	12 A
Overvoltage Category I	1000 V
Overvoltage Category II	690 V
Overvoltage Category III	400 V
Rated impulse voltage	6 kV

### Technical Data UL/CSA

Voltage UL	300 V
Current field wiring	15 A
Current factory wiring	15 A
Voltage CSA	300 V
Current CSA	15 A

### Other

Type of insulation material	Thermoplastic
Color	Grey
Height	8.4 mm
Length	51.9 mm
Depth	12 mm

Material contact base	CuZn
Material contact surface	Sn

**Classification**

ECLASS 11	
ECLASS 8.1	27440402
ETIM 7.0	EC002637
ETIM 6.0	EC002637
ETIM 5.0	EC002637
ETIM 4.0	EC002637

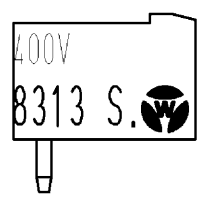
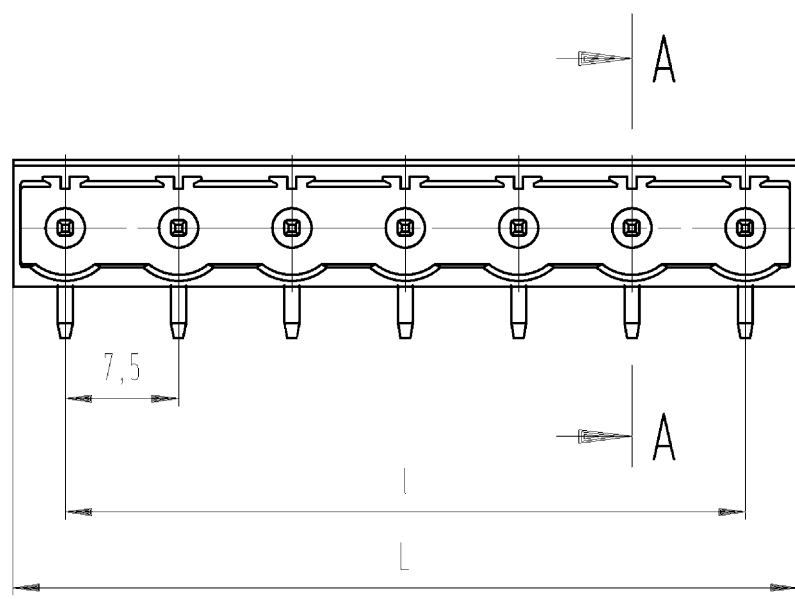
**Product compliance**

ROHS conformity status	Compliant
REACH-SVHC conformity status	Compliant

**Fits with**

Commercial Art.No.:	Article-type description:	Description:
25.360.3753.0	PCB connector 8313 B / 7 OB	PCB female connector with screw connection with rising cage clamp system, 7 poles, max. cross section: 2.5 mm <sup>2</sup> , pitch: 7.5 mm, type of packing: carton, color: grey
25.360.0753.0	PCB connector 8313 B / 7	PCB female connector with screw connection with rising cage clamp system, 7 poles, printed version, max. cross section: 2.5 mm <sup>2</sup> , pitch: 7.5 mm, type of packing: carton, color: grey

These dimensions will be especially checked at delivery  
 Only inspection dimensions  
 With /E marked dimensions are only valid for internal use

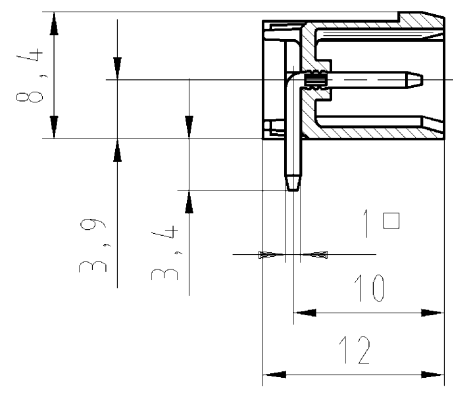


Weitergabe sowie Vervielfältigung dieses Dokuments, Verwertung und Mitteilung seines Inhalts sind verboten, soweit nicht ausdrücklich gestattet. Die Reproduktion, Distribution und Utilization of this document as well as the communication of its contents to others without express authorization is prohibited.

**Schnitt A-A**  
 section A-A

gezeichnete Ausführung: 7-polig  
 drawn version 7-poles

Diese Maße werden bei Abnahme besonders geprüft  
 Ausschließlich Prüfmaße  
 Mit /E gekennzeichnete Maße sind nur für interne Zwecke gültig



Farbe/colour	.F
grau / grey	.0
schwarz/black	.1
grün /green	.7

Artikel-Nr. part-number	Pol-Z pole	L	l	Typ type
25.372.3253	2	14,40	7,5	8313S / 2W OB
3353	3	21,90	15,0	8313S / 3W OB
3453	4	29,40	22,5	8313S / 4W OB
3553	5	36,90	30,0	8313S / 5W OB
3653	6	44,40	37,5	8313S / 6W OB
3753	7	51,90	45,0	8313S / 7W OB
3853	8	59,40	52,5	8313S / 8W OB
3953	9	66,90	60,0	8313S / 9W OB
4053	10	74,40	67,5	8313S / 10W OB
4153	11	81,90	75,0	8313S / 11W OB
4253	12	89,40	82,5	8313S / 12W OB

Weitere Daten siehe Katalog  
 further data see catalog

Tolerierung nach DIN 7167/Tolerance system acc. to DIN 7167. (This DIN-standard describes the envelope principle. According to the envelope principle the deviations of form and parallelism are limited by the size tolerances). ja/yes  Stoffverbots- und Deklarationsliste nach UU-TQM-05/03 ist einzuhalten. Conformity with Wieland document UU-TQM-05/03 (list of prohibited / declarable hazardous substances) to be declared!

Freitoleranz nach DIN ISO 2768 - m CAD - Zeichnung, keine manuellen Änderungen CAD - drawing, no manual modifications allowed I.Verwendung: - First Use: - Blatt: 1 von 1 Sheet: 1 of 1

Werkstoff/Material		2011	Tag/Date	Name	Zeichnung Nr./Drawing No.	Index	
		gezeichnet drawn	24.11.	Schnitt J.			
Maßstab/Scale		geprüft checked	-	-	25.372.3253.0 01K		
2:1		Normgepr. Stand., check	-	-			
Vol. mm <sup>3</sup> Oil./Surf. mm <sup>2</sup>		Ersatz für/Replacement for: -				Maße in mm/Dimensions are in mm	
wieland		Type	Benennung/Tittle				
Elektrische Verbindungen		8313 S /	LP_STIFTLEISTE				
Änderung/Revision		.. W OB	Rastmaß/pitch 7,5 PCB header				

253723253001K\_2 CADW2035 Schnitt 2011-11-25 10:43:41 1:000