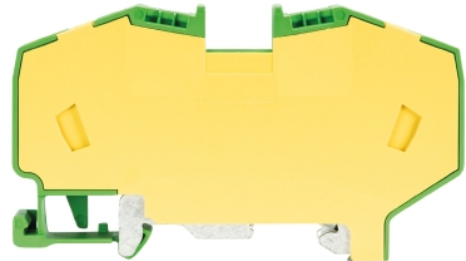


Data sheet

Commercial Art.No.: 56.716.9053.0

Earth terminal WKF 16SL/35

Ground terminal with tension spring connection for mounting on TS 35, nominal cross section: 16 mm², width: 12 mm, color: Green-yellow



Commercial Art.No.	56.716.9053.0
EAN	4015573501805
Order Unit	50

Certificates / Approvals



CAN-Ex



ATEX



Technical data

General

Nominal cross section	16 mm ²
Color	Green/yellow
Number of levels	1
Number of clamp positions per level	2
Width/grid dimension	12 mm
Insulating housing	PA666
Inflammability class of insulation material acc. with UL94	V0
Explosion-tested version "Ex e"	yes
Mounting method	DIN rail (top hat rail) 35/7.5 mm
Terminal blocks for electrical installations	yes

Technical data

Rated impulse voltage	8 kV
Pollution degree	3
Closing plate required	No
Type of insulation material	Thermoplastic
Length	82 mm

Connection Data

Connection type 1	spring clamp connection
Connection type 2	spring clamp connection
Minimum cross section solid	4 mm ²
Maximum cross section solid	10 mm ²
Minimum cross section fine stranded	4 mm ²
Maximum cross section fine stranded	16 mm ²
Minimum cross section stranded	16 mm ²
Maximum cross section stranded	16 mm ²

Wire strip length	15 mm
-------------------	-------

Technical Data UL/CSA

Cross section UL	24-4 AWG
Cross section CSA	12-4 AWG

Classification

ECLASS 11	
ECLASS 8.1	27141141
ETIM 7.0	EC000901
ETIM 6.0	EC000901
ETIM 5.0	EC000901
ETIM 4.0	EC000901
ETIM 3.0	EC000901

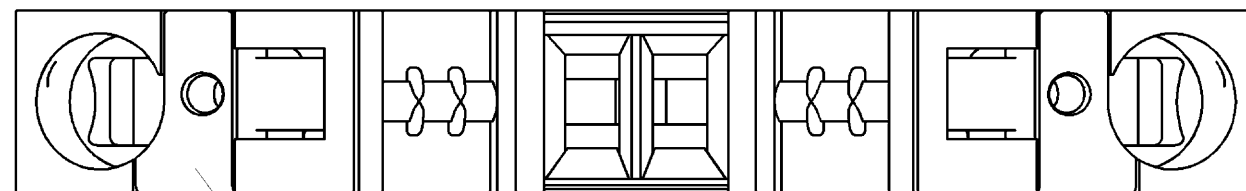
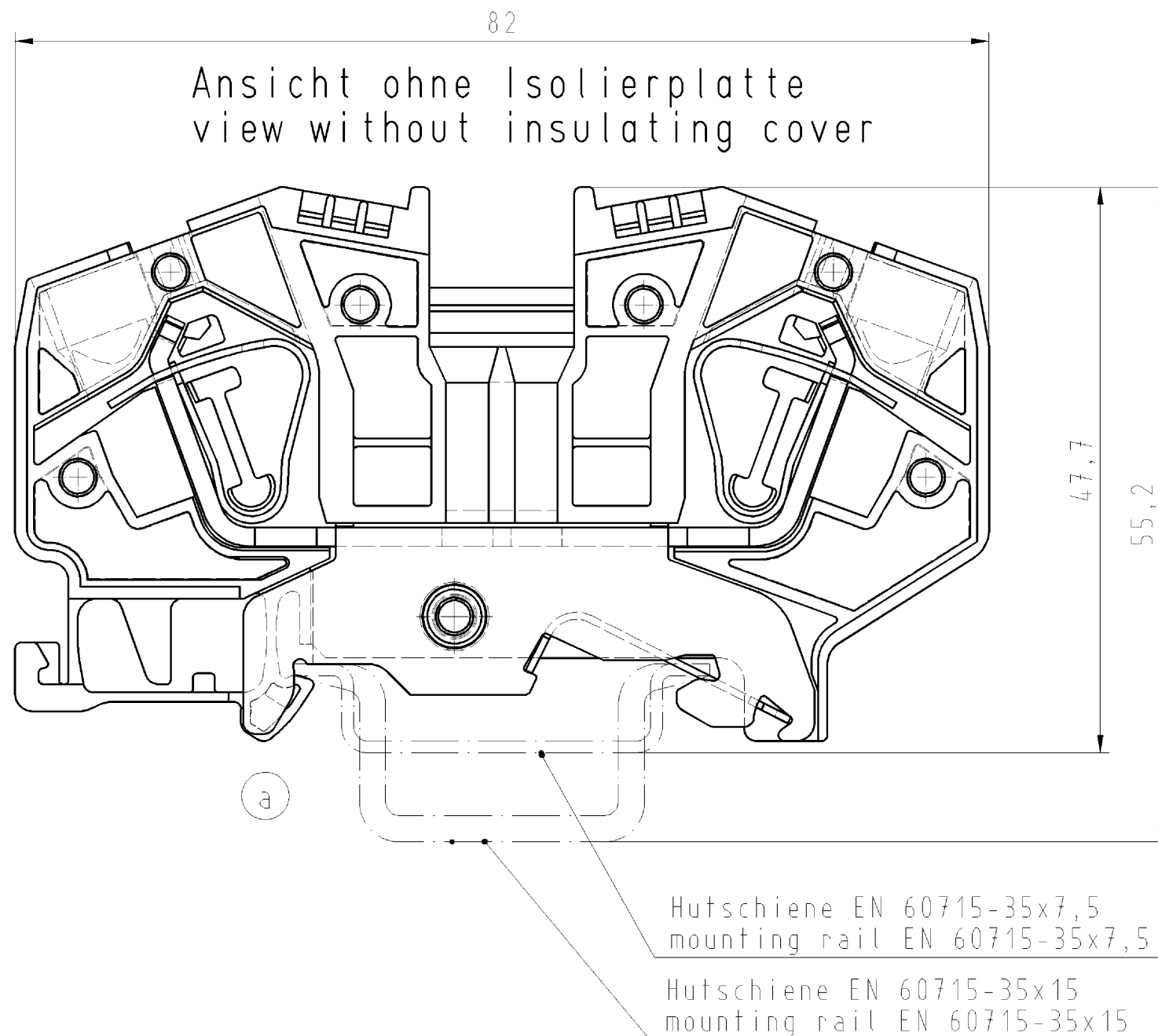
Product compliance

ROHS conformity status	Compliant
REACH-SVHC conformity status	Compliant

Accessories

Commercial Art.No.:	Article-type description:	Description:
98.300.0000.0	Mounting rail TS 35x7,5 UNPERF - l:2000mm	Mounting rail TS 35, unslotted, size 7,5 mm, length 2 m, material steel. galv. zinc-plated and dichromated
98.300.1000.0	Mounting rail TS 35x7,5 PERF 15mm - l:2000mm	Mounting rail TS 35, slotted, size 7,5 mm, length 2 m, material steel. galv. zinc-plated and dichromated
98.300.1900.0	Mounting rail TS 35x7,5 PERF 25mm - l:2000mm	Mounting rail TS 35, slotted, size 7,5 mm, length 2 m, material steel. galv. zinc-plated and dichromated
98.360.0000.0	Mounting rail TS 35x15-2,3 UNPERF - l:2000mm	Mounting rail TS 35, unslotted, size 15 mm, length 2 m, material steel. galv. zinc-plated and dichromated
98.360.0004.0	Mounting rail TS 35x15-2,3 UNPERF FZN - l:2000mm	Mounting rail TS 35, unslotted, size 15 mm, length 2 m, material steel, hot galvanized
98.370.0000.0	Mounting rail TS 35x15 UNPERF - l:2000mm	Mounting rail TS 35, unslotted, size 15 mm, length 2 m, material steel. galv. zinc-plated and dichromated
98.370.1000.0	Mounting rail TS 35x15 PERF 15mm - l:2000mm	Mounting rail TS 35, slotted, size 15 mm, length 2 m, material steel. galv. zinc-plated and dichromated
98.380.0000.0	Mounting rail TS 35x15-2,3 UNPERF CU - l:2000mm	Mounting rail TS 35, unslotted, size 15 mm, length 2 m, material E copper
Z7.284.4227.0	Jumper bar IVBWK 16- 2	Cross connector, insulated for DIN rail terminal blocks type WKF..., 2 - pole
98.300.1800.0	Mounting rail TS 35x7,5 PERF 18mm - l:2000mm	Mounting rail TS 35, slotted, size 7,5 mm, length 2 m, material steel. galv. zinc-plated and dichromated

○ Diese Maße werden bei Abnahme besonders geprüft
 ○ Ausschließlich Prüfmaße
 □ Mit AE gekennzeichnete Maße sind nur für interne Zwecke gültig



Isolierplatte (Farbe: gelb)
insulating cover (colour: yellow)

Weitere Daten siehe Katalog
further datas see catalog

Freitoleranz nach DIN		CAD - Zeichnung, keine manuellen Änderungen			1. Verwendung: -		Bl.: 1 von 1	
	/	Maßstab z	Werkstoff und Oberfläche: Farbe: grün colour: green	2002	Tag	Name	Zeichnung Nr. 56.716.9053.0 01K	Index a
	/			Entworfen	13.11.	Schneiderb.		
	/			Geprüft	-	-		
	/			Normgepr.	-	-	Ersatz für: -	
	/	wieland Elektrische Verbindungen		Typ WKF 16 SL/ 35		Benennung SCHUTZLEITERKLEMME earth lead terminal (screwless) schraubenlos		
a	22.06.2010/							
Buchstabe	Datum / Blatt							
Änderung								

Weitergabe sowie Vervielfältigung dieses Dokuments, Verwertung und Mitteilung seines Inhalts sind verboten, soweit nicht ausdrücklich gestattet.
The reproduction, distribution and utilization of this document as well as the communication of its contents to others without express authorization is prohibited.

567169053001K_4 CADW2007 Lang 2010-06-23T09:18:19 1.000