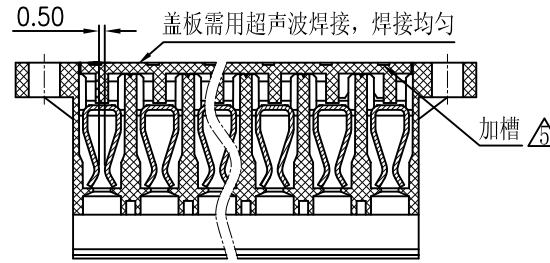
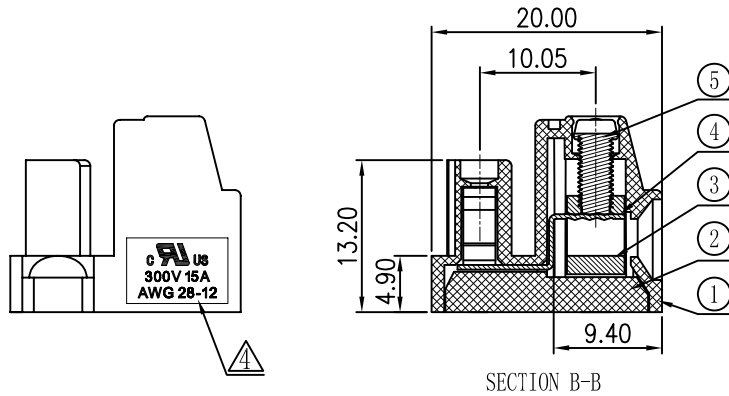


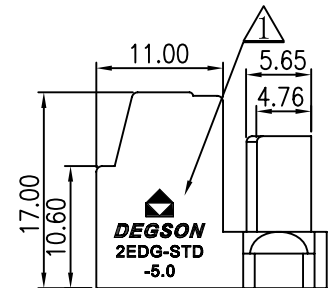
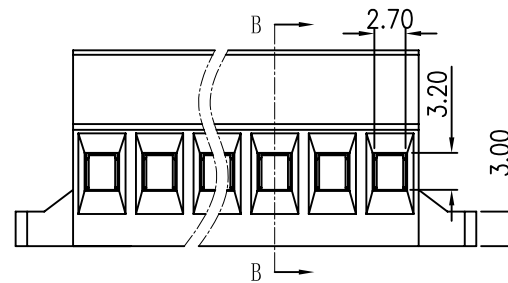
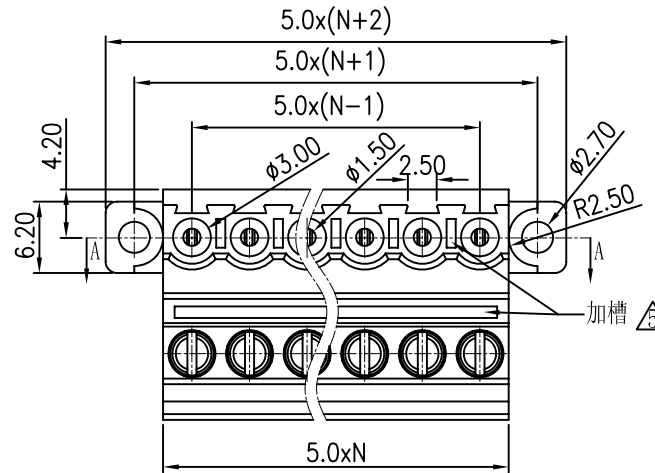
Notes:

1. Pitch: 5.0mm , Poles: 2-24P
2. Rated voltage/current: UL 300V/15A
IEC 250V/24A
3. Operation temperatures: -40°C ~ +105°C
4. Withstanding Voltage: AC3000V/1Min
5. Insulation Resistance: 5000MΩ / DC1000V
6. Wire Range: 28~12AWG, 2.5mm²
7. Max. Torque Value: M2. 5, 4. 08kgf. cm
8. Undimensioned Tolerances:

Pitch range in mm		Nominal dimension range in mm						
	over 6	over 10	over 30	over 60	over 100	over 150	—	
to 6	to 10	to 24	to 30	to 60	to 100	to 150	∩	
±0.10	±0.15	±0.25	±0.2	±0.3	±0.5	±0.7	±1.0	
							0.05/10	



SECTION A-A



REVISION RECORD				
REV	ECN	DESCRIPTION	DRFT	DATE
△		增加刻字	CSX	04/10/07
△		品名、料号增加环保标示“(H)”	LJH	12/11/07
△		增加线数2-24P	YHG	09/18/08
△		增加UL刻字及参数	Zengy	11/29/08
△	10-0258	修改外观	Jinhuai.Lan	08/13/10

5	DG128-Screw	S000001460 (H)	XX	Steel	Cr ³⁺ Zn
4	2EDG-STD-5.0-Clamp	1071B00010 (H)	XX	Phosphor bronze	SnCe Plated
3	DG128-Cage	X000000020 (H)	XX	Brass	Ni Plated
2	2EDG-STD-5.0-Cover	1071C0YXXA (H)	1	PA66	UL94V-0

1	2EDG-STD-5.0-Housing	1071A0YXXA (H)	1	PA66	UL94V-0																	
ITEM	NAME OF PART	NO. OF PART	Q'TY	MATERIAL	NOTES																	
<table border="1"> <thead> <tr> <th>MM (INCH)</th> <th>DFTO Alan</th> <th>DATE 11/15/06"</th> </tr> </thead> <tbody> <tr> <td>TOLERANCES EXCEPT AS NOTED</td> <td>CHKD</td> <td>DATE</td> </tr> <tr> <td>MM</td> <td>MFO</td> <td>DATE</td> </tr> <tr> <td>.0 ±</td> <td>APPVL</td> <td>DATE</td> </tr> <tr> <td>.00 ±</td> <td></td> <td></td> </tr> <tr> <td>.000 ±</td> <td></td> <td></td> </tr> </tbody> </table>		MM (INCH)	DFTO Alan	DATE 11/15/06"	TOLERANCES EXCEPT AS NOTED	CHKD	DATE	MM	MFO	DATE	.0 ±	APPVL	DATE	.00 ±			.000 ±			<p>DEGSON 宁波高正电子有限公司 DEGSON ELECTRONICS CO., LTD</p> <p>NAME 2EDG-STD-5.0-XXP-1Y-00A (H)</p>		
MM (INCH)	DFTO Alan	DATE 11/15/06"																				
TOLERANCES EXCEPT AS NOTED	CHKD	DATE																				
MM	MFO	DATE																				
.0 ±	APPVL	DATE																				
.00 ±																						
.000 ±																						
<table border="1"> <thead> <tr> <th>ANGLES ± 1'</th> <th>G.E :</th> </tr> </thead> <tbody> <tr> <td>THIRD ANGLE PROJECTION</td> <td>FINISH :</td> </tr> <tr> <td></td> <td>SCALE : 1:1</td> </tr> </tbody> </table>		ANGLES ± 1'	G.E :	THIRD ANGLE PROJECTION	FINISH :		SCALE : 1:1	<p>DRAWING NO. 2EDG-STD-5.0-E01 SIZE A3 REV T5 08/13/10"</p> <p>/PART NO.</p> <p>DO NOT SCALE DRAWING SHEET 1 OF 1</p>														
ANGLES ± 1'	G.E :																					
THIRD ANGLE PROJECTION	FINISH :																					
	SCALE : 1:1																					