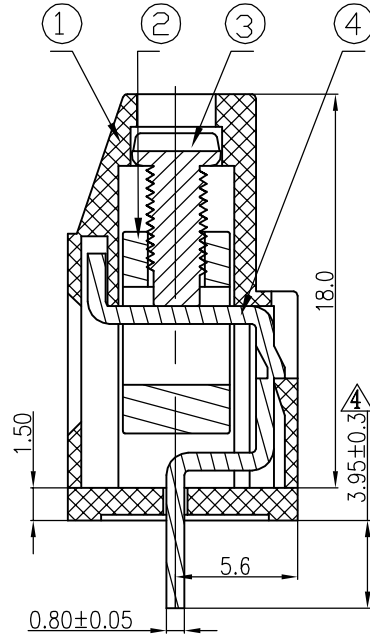
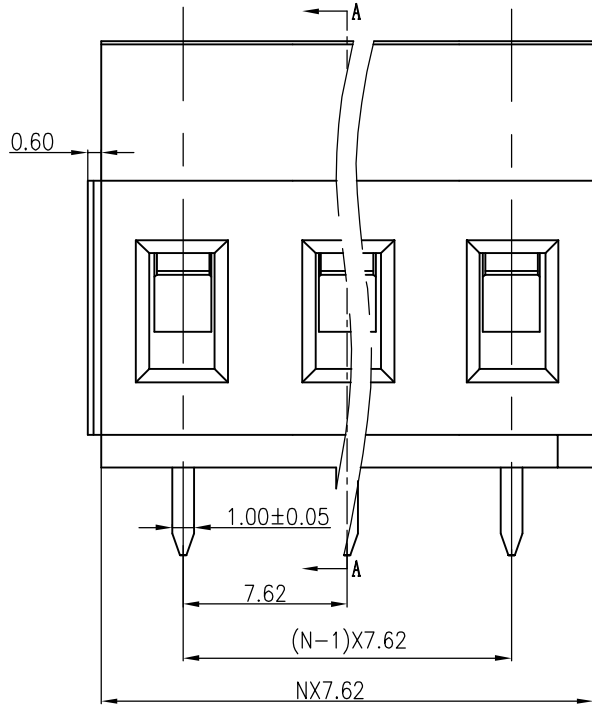


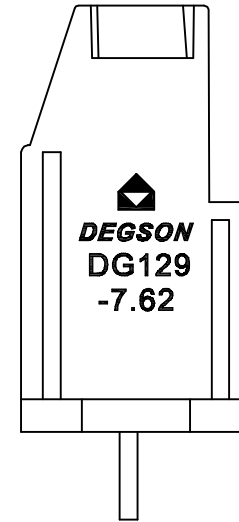
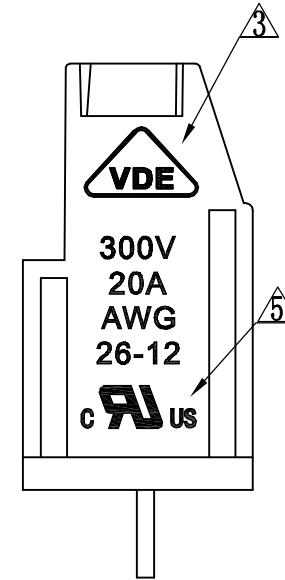
- Notes:
- Pitch:7.62mm
  - Rated voltage/current:UL 300V/20A  
VDE 450V/20A
  - Operation temperatures:-40℃~+105℃
  - Withstanding Voltage:AC2000V/1Min
  - Insulation Resistance:5000MΩ/DC1000V
  - Wire Range:26-12AWG, 2.5mm<sup>2</sup>
  - Max. Torque Value:M3, 5.10kgf.cm
  - Undimensioned Tolerances:

REVISION RECORD				
REV	ECC	DESCRIPTION	DRFT	DATE
△		Drawing Revise	Haoyh	03/31/08
△	3	增加VDE刻字	CSX	01/12/07
△		出脚由3.85改为3.95±0.30	CSX	02/03/07
△		UL标志中去掉小R	CSX	08/09/07
△		品名、料号增加环保标示“(0)”	CSX	12/10/07

Pitch range in mm		Nominal dimension range in mm						
to	over	over	to	over	over	over	∩	
6	6 to 10	10 to 24	30	30 to 60	60 to 100	100 to 150	∩	
±0.10	±0.15	±0.25	±0.2	±0.3	±0.5	±0.7	±1.0	∩



SECTION A-A



5	DG129-Cover	4043C0YXXA (H)	1	PA66	UL94V-0
4	DG129-Pin header	4029B00010 (H)	XX	Barss	SnCe
3	DG129-Screws-M3	S000001430 (H)	XX	Steel	Cr Zn
2	DG129-Cage	X000000200 (H)	XX	Brass	Ni plated

1	DG129-7.62--Housing	4043A0YXXA (H)	1	PA66	UL94V-0
ITEM	NAME OF PART	NO. OF PART	Q'TY	MATERIAL	NOTES
MM (INCH) TOLERANCES EXCEPT AS NOTED .0 ± .00 ± .000 ±		DFTO HUANGWEI DATE 03/10/05* CHKD DATE MFD DATE APPVL DATE	DEGSON 宁波高正电子有限公司 DEGSON ELECTRONICS CO., LTD NAME DG129-7.62-XXP-1Y-00A(H)		
ANGLES ± 1° THIRD ANGLE PROJECTION		G.E.:	DRAWING NO. DG129-7.62-E01 /PART NO. DD NDT SCALE DRAWING SHEET 1 OF 1		
SCALE: 1:1		SIZE A3 REV T6 12/10/07			