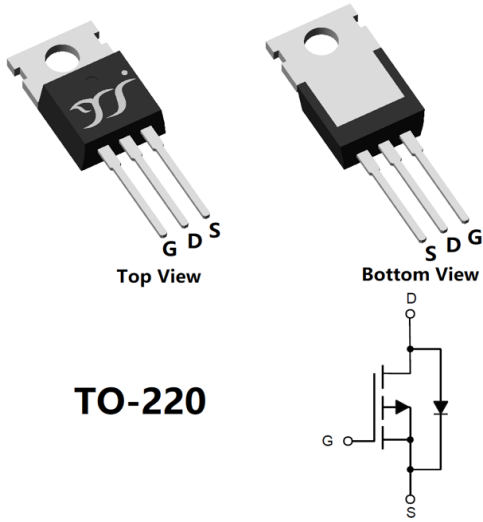


P-Channel Enhancement Mode Field Effect Transistor



Product Summary

- V_{DS} -100V
- I_D -30A
- $R_{DS(ON)}$ (at $V_{GS}=-10V$) <56 mohm
- $R_{DS(ON)}$ (at $V_{GS}=-4.5V$) <62 mohm
- 100% EAS Tested
- 100% ∇V_{DS} Tested

General Description

- Split gate trench MOSFET technology
- Excellent package for heat dissipation
- High density cell design for low $R_{DS(ON)}$
- Epoxy Meets UL 94 V-0 Flammability Rating
- Halogen Free

Applications

- DC-DC Converters
- Power management functions

■ Absolute Maximum Ratings ($T_A=25^\circ\text{C}$ unless otherwise noted)

Parameter		Symbol	Limit	Unit
Drain-source Voltage		V_{DS}	-100	V
Gate-source Voltage		V_{GS}	± 20	V
Drain Current	$T_C=25^\circ\text{C}$	I_D	-30	A
	$T_C=100^\circ\text{C}$		-19.2	
Pulsed Drain Current ^A		I_{DM}	-120	A
Avalanche energy ^B		E_{AS}	162	mJ
Total Power Dissipation ^C	$T_C=25^\circ\text{C}$	P_D	125	W
	$T_C=100^\circ\text{C}$		50	
Junction and Storage Temperature Range		T_J, T_{STG}	-55~+150	$^\circ\text{C}$

■ Thermal resistance

Parameter		Symbol	Typ	Max	Units
Thermal Resistance Junction-to-Ambient ^D	$t \leq 10\text{S}$	$R_{\theta JA}$	12	15	$^\circ\text{C/W}$
Thermal Resistance Junction-to-Ambient ^D	Steady-State		50	60	
Thermal Resistance Junction-to-Case	Steady-State	$R_{\theta JC}$	0.8	1.0	

■ Ordering Information (Example)

PREFERRED P/N	PACKING CODE	Marking	MINIMUM PACKAGE(pcs)	INNER BOX QUANTITY(pcs)	OUTER CARTON QUANTITY(pcs)	DELIVERY MODE
YJP30GP10A	B1	YJP30GP10A	50	/	5000	Tube



YJP30GP10A

■ Electrical Characteristics (T_J=25°C unless otherwise noted)

Parameter	Symbol	Conditions	Min	Typ	Max	Units
Static Parameter						
Drain-Source Breakdown Voltage	BV _{DSS}	V _{GS} = 0V, I _D =-250μA	-100			V
Zero Gate Voltage Drain Current	I _{DSS}	V _{DS} =-100V, V _{GS} =0V	T _J =25°C		-1	μA
			T _J =55°C		-5	
Gate-Body Leakage Current	I _{GSS}	V _{GS} = ±20V, V _{DS} =0V			±100	nA
Gate Threshold Voltage	V _{GS(th)}	V _{DS} = V _{GS} , I _D =-250μA	-1.0	-1.8	-2.5	V
Static Drain-Source On-Resistance	R _{DS(on)}	V _{GS} = -10V, I _D =-15A		42	56	mΩ
		V _{GS} = -4.5V, I _D =-7A		46	62	
Diode Forward Voltage	V _{SD}	I _S =-15A, V _{GS} =0V			-1.3	V
Maximum Body-Diode Continuous Current	I _S				-30	A
Dynamic Parameters						
Input Capacitance	C _{iss}	V _{DS} =-50V, V _{GS} =0V, f=1MHZ		2100		pF
Output Capacitance	C _{oss}			236		
Reverse Transfer Capacitance	C _{rss}			48		
Switching Parameters						
Total Gate Charge	Q _{g(-10V)}	V _{GS} =-10V, V _{DS} =-50V, I _D =-5A		40		nC
Total Gate Charge	Q _{g(-4.5V)}			19.4		
Gate-Source Charge	Q _{gs}			7.8		
Gate-Drain Charge	Q _{gd}			8.6		
Reverse Recovery Charge	Q _{rr}	I _F =-5A, di/dt=100A/us		280		nC
Reverse Recovery Time	t _{rr}			104		
Turn-on Delay Time	t _{D(on)}	V _{GS} =-10V, V _{DD} =-50V, I _{DS} =-5A R _{GEN} =6Ω		13		ns
Turn-on Rise Time	t _r			39		
Turn-off Delay Time	t _{D(off)}			100.1		
Turn-off fall Time	t _f			105.3		

A. Repetitive rating; pulse width limited by max. junction temperature.

B. V_{DD}=50V, R_G=25Ω, L=0.5mH.

C. Pd is based on max. junction temperature, using junction-case thermal resistance.

D. The value of RθJA is measured with the device mounted on 1in2 FR-4 board with 2oz. Copper, in a still air environment with TA =25° C. The Power dissipation PDSM is based on RθJA ≤ 10s and the maximum allowed junction temperature of 150° C. The value in any given application depends on the user's specific board design.



YJP30GP10A

■ Typical Performance Characteristics

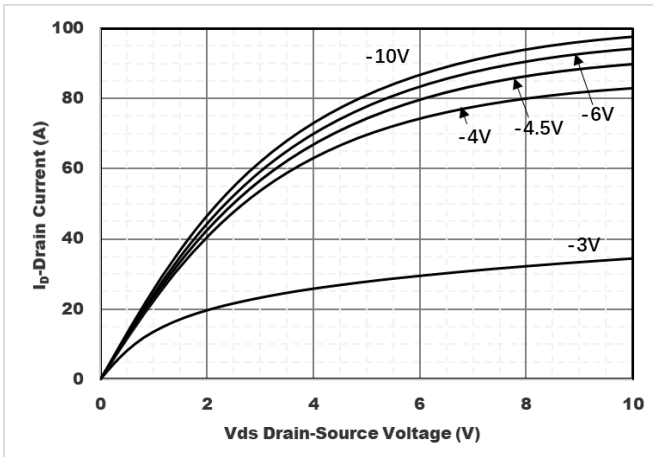


Figure1. Output Characteristics

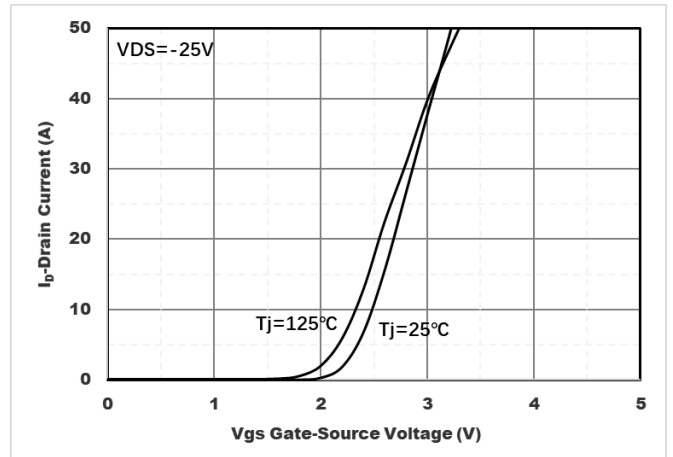


Figure2. Transfer Characteristics

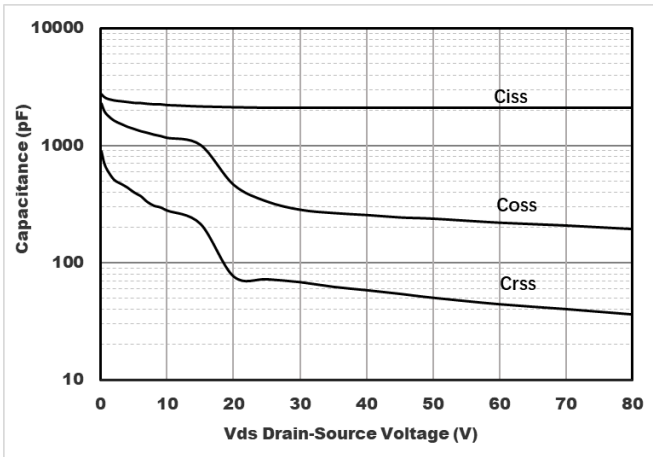


Figure3. Capacitance Characteristics

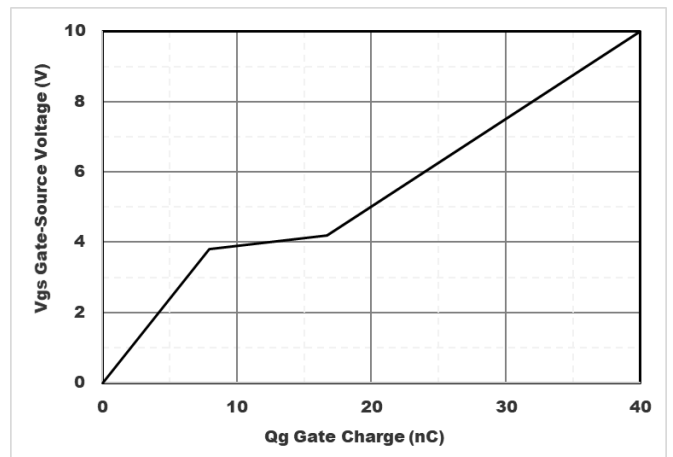


Figure4. Gate Charge

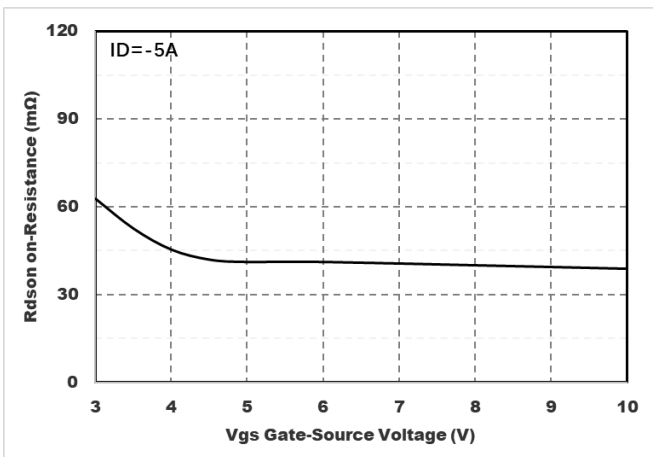


Figure5. : On-Resistance vs. Gate to Source Voltage

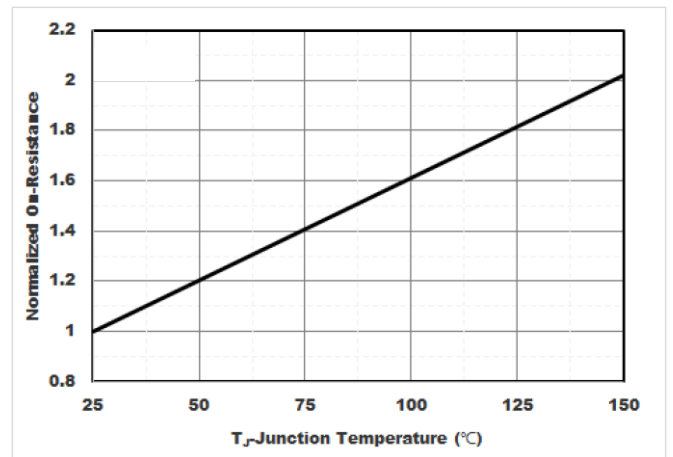


Figure6. Normalized On-Resistance



YJP30GP10A

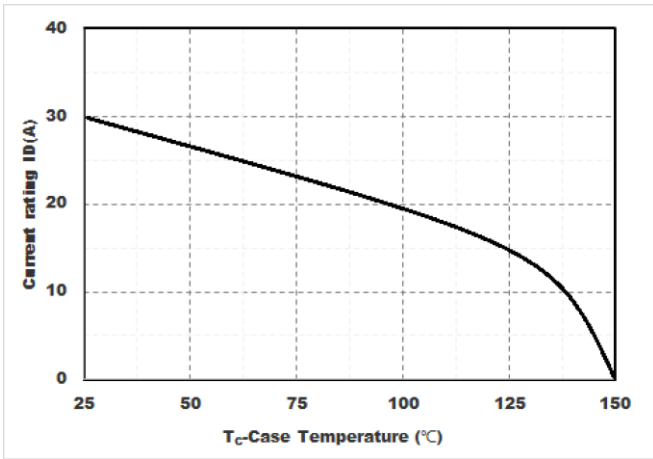


Figure7. Drain current

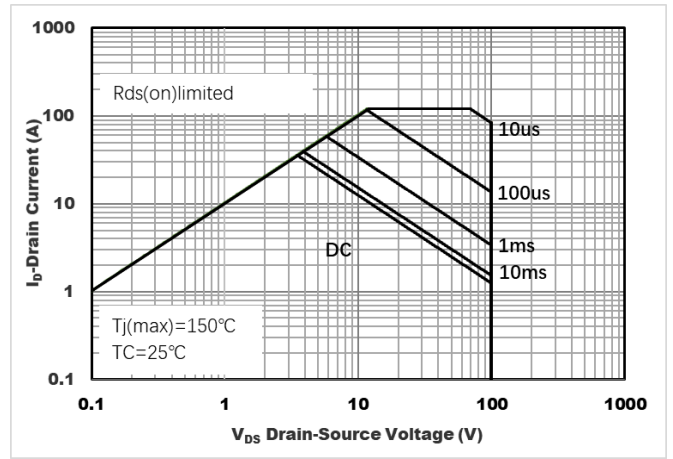


Figure8.Safe Operation Area

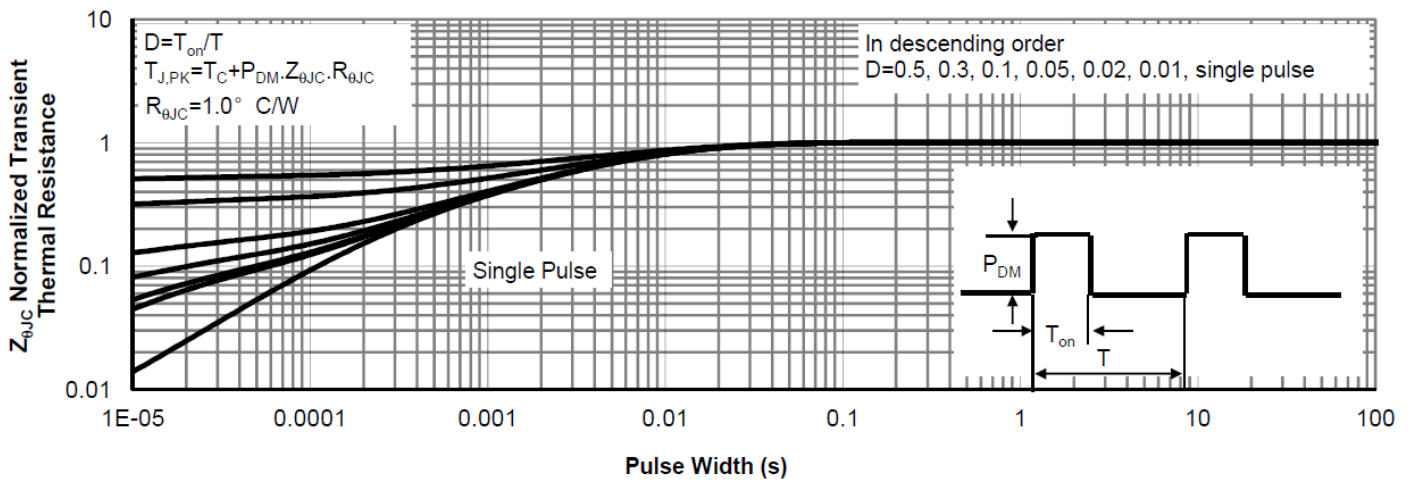


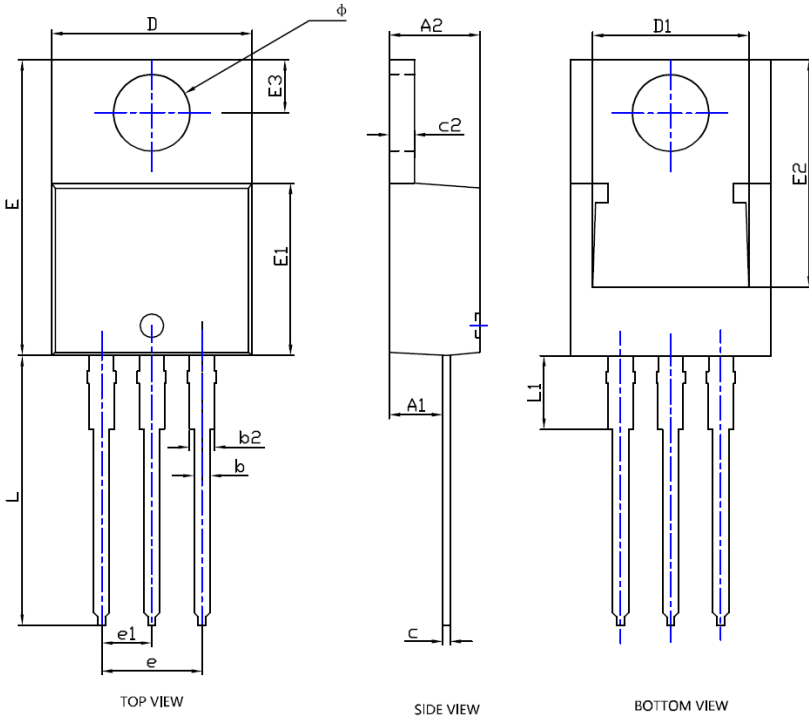
Figure9.Normalized Maximum Transient thermal impedance



YJP30GP10A

TO-220AB Package Information

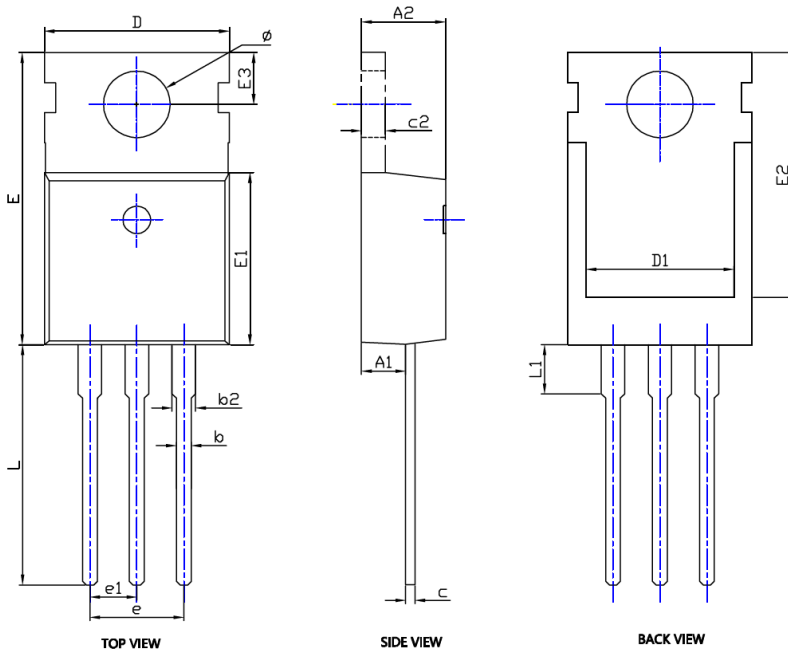
Type B:



SYMBOL	DIMENSIONS					
	INCHES			Millimeter		
	MIN.	NOM.	MAX.	MIN.	NOM.	MAX.
A1	0.098	0.102	0.106	2.480	2.580	2.680
A2	0.174	0.180	0.186	4.430	4.580	4.730
b	0.030	0.032	0.034	0.770	0.820	0.870
b2	0.048	0.050	0.052	1.230	1.280	1.330
c	0.013	0.015	0.018	0.330	0.390	0.450
c2	0.048	0.050	0.053	1.220	1.280	1.340
D	0.394	0.400	0.406	10.000	10.150	10.300
D1	0.299	0.311	0.323	7.600	7.900	8.200
E	0.581	0.587	0.593	14.750	14.900	15.050
E1	0.337	0.341	0.348	8.550	8.700	8.850
E2	0.441	0.453	0.465	11.200	11.500	11.800
E3	0.108BSC			2.750BSC		
e	0.200BSC			5.080BSC		
e1	0.100BSC			2.540BSC		
L	0.531	0.537	0.543	13.500	13.650	13.800
L1	0.152	0.157	0.163	3.850	4.000	4.150
φ	0.148	0.152	0.156	3.750	3.850	3.950

- NOTE:
 1. PACKAGE BODY SIZES EXCLUDE MOLD FLASH AND GATE BURRS.
 2. TOLERANCE 0.1mm UNLESS OTHERWISE SPECIFIED.
 3. THE PAD LAYOUT IS FOR REFERENCE PURPOSES ONLY.

Type D:



SYMBOL	DIMENSIONS			
	INCHES		Millimeter	
	MIN.	MAX.	MIN.	MAX.
A1	0.091	0.098	2.300	2.500
A2	0.175	0.183	4.450	4.650
b	0.030	0.033	0.750	0.850
b2	0.048	0.052	1.220	1.320
c	0.018	0.022	0.450	0.550
c2	0.050	0.052	1.270	1.330
D	0.386	0.402	9.800	10.200
D1	0.303	0.327	7.700	8.300
E	0.614	0.630	15.600	16.000
E1	0.360	0.372	9.150	9.450
E2	0.510	0.533	12.950	13.550
E3	0.110BSC		2.800BSC	
e	0.200BSC		5.080BSC	
e1	0.100BSC		2.540BSC	
L	0.506	0.518	12.850	13.150
L1	0.093	0.117	2.360	2.960
φ	0.138	0.146	3.500	3.700

- NOTE:
 1. PACKAGE BODY SIZES EXCLUDE MOLD FLASH AND GATE BURRS.
 2. TOLERANCE 0.1mm UNLESS OTHERWISE SPECIFIED.



YJP30GP10A

Disclaimer

The information presented in this document is for reference only. Yangzhou Yangjie Electronic Technology Co., Ltd. reserves the right to make changes without notice for the specification of the products displayed herein to improve reliability, function or design or otherwise.

The product listed herein is designed to be used with ordinary electronic equipment or devices, and not designed to be used with equipment or devices which require high level of reliability and the malfunction of which would directly endanger human life (such as medical instruments, transportation equipment, aerospace machinery, nuclear-reactor controllers, fuel controllers and other safety devices), Yangjie or anyone on its behalf, assumes no responsibility or liability for any damages resulting from such improper use of sale.

This publication supersedes & replaces all information previously supplied. For additional information, please visit our website [http:// www.21yangjie.com](http://www.21yangjie.com) , or consult your nearest Yangjie's sales office for further assistance.