

## Data sheet

Commercial Art.No.: 92.051.5453.1

Flat cable adapter GST18i5I B1H F7V SW

gesis® NRG flat cable adapter to GST18i5; Code 1 mains; colour of coding: black; 250/400 V; 20 A; pluggable output parallel to flat cable; piercing-contact screws with Torx-head; for gesis® NRG flatcable 5G2,5, 5G4, 5G2,5+2x1,5 und 5G4+2x1,5



Commercial Art.No.	92.051.5453.1
EAN	4049088287060
Order Unit	1

Certificates / Approvals



## Technical data

### Classification

ECLASS 11	
ECLASS 8.1	27440601
ETIM 7.0	EC002588
ETIM 6.0	EC002588
ETIM 5.0	EC002588
ETIM 4.0	EC002588

### General

Rated current	20 A
Degree of protection (IP)	IP20
Mechanical coding	Code 1
Marking of poles	L3, L2, PE, N, L1
Color of coding/ contact carrier	black
Color housing	black
Lockable	self-locking (unlocking by tool)

### Model

Model	Tapp-off
-------	----------

### Material

halogen free	yes
Contact material	CuZn
Fire load	0.589 kWh

### Dimensions

Length	89.5 mm
Width	61 mm
Height	37.2 mm

**Product compliance**

ROHS conformity status	Compliant/Exempted
ROHS exceptions	III-6(c)
REACH-SVHC conformity status	Duty-To-Declare
REACH-SVHC substances	Lead
REACH-SVHC CAS numbers	7439-92-1

**Accessories**

Commercial Art.No.:	Article-type description:	Description:
05.564.5353.0	cover cap GST18i3/4/5 SW	Cover piece 12 pole black for female parts GST18i3-6
05.564.5353.2	cover cap GST18i3/4/5 WS	Cover piece 12 pole white for female parts GST18i3-6
05.566.9253.0	cover cap GST18i5 BUCHSEN	Cover for female connectors GST18i5, black
06.502.5810.0	Screwdriver bit TX 10x25	Screw driver insert TX 10x25 for hexagon socket
99.681.0000.0	sample case GESIS NRG 5x2,5+5x4MM <sup>2</sup>	gesis® NRG sample case 5G2,5 and 5G4 mm <sup>2</sup> ; contains feed-in and tapping gesis® NRG BASIC and DIMM, flat cable 5G2,5 mm <sup>2</sup> PVC pastel blue, flat cable 5G4 mm <sup>2</sup> halogenfree green, end caps, screw driver TX10.

**Fits with**

Commercial Art.No.:	Article-type description:	Description:
00.712.0303.1	Flat cable 5G2,5MM <sup>2</sup> PVC SCHWARZ	gesis® NRG BASIC flat cable; mains 5G2.5; 20 A; 0.6/1 kV; PVC CPR class Eca; color: black.
00.712.0303.7	Flat cable 5G2,5MM <sup>2</sup> PVC GRÜN	gesis® NRG BASIC flat cable; mains 5G2.5; 20 A; 0.6/1 kV; PVC CPR class Eca; color: green
00.712.0323.7	Flat cable 5G2,5+2x1,5 PVC MSCHIRM	gesis® NRG BASIC+KNX flat cable; mains 5G2.5; 20 A; 0.6/1 kV; bus 2X1.5; 3 A; 50 V; shielded; PVC CPR class Eca; color: green.
00.712.1323.1	Flat cable 5G2,5+2x1,5 PVC OSCHIRM	gesis® NRG BASIC+SIGNAL flat cable; mains 5G2.5; 20 A; 0.6/1 kV; bus 2X1.5; 6 A; 250 V; unshielded; PVC CPR class Eca; color: black.
00.770.0303.1	Flat cable 5G2,5MM <sup>2</sup> HF SCHWARZ TYP B	gesis® NRG BASIC flat cable; mains 5G2.5; 20 A; 0.6/1 kV; halogen free fire class: B2ca s1a d1 a1; color: black.
00.770.0303.7	Flat cable 5G2,5MM <sup>2</sup> HF GRÜN	gesis® NRG BASIC flat cable; mains 5G2.5; 20 A; 0.6/1 kV; halogen free fire class: B2ca s1a d1 a1; color: green.
00.770.0304.1	Flat cable 5G4MM <sup>2</sup> HF SCHWARZ	gesis® NRG BASIC flat cable; mains 5G4; 20 A; 0.6/1 kV; halogen free fire class: B2ca s1a d1 a1; color: black.
00.770.0304.7	Flat cable 5G4MM <sup>2</sup> HF GRÜN	gesis® NRG BASIC flat cable; mains 5G4; 20 A; 0.6/1 kV; halogen free fire class: B2ca s1a d1 a1; color: green.
00.770.0323.7	Flat cable 5G2,5+2x1,5 HF MSCHIRM	gesis® NRG BASIC+KNX flat cable; mains 5G2.5; 20 A; 0.6/1 kV; bus 2X1.5; 3 A; 50 V; shielded; halogen free fire class: B2ca s1a d2 a1; color: green.
00.770.0324.7	Flat cable 5G4+2x1,5 HF MSCHIRM	gesis® NRG BASIC+KNX flat cable; mains 5G4; 20 A; 0.6/1 kV; bus 2X1.5; 3 A; 50 V; shielded; halogen free fire class: B2ca s1a d2 a1; color: green.
00.770.1323.1	Flat cable 5G2,5+2x1,5LSOH OSCHIRM	gesis® NRG BASIC+SIGNAL flat cable; mains 5G2.5; 20 A; 0.6/1 kV; bus 2X1.5; 6 A; 250 V; unshielded; halogen free fire class: B2ca s1a d1 a1; color: black.

00.770.1324.1	Flat cable 5G4+2x1,5LSOH OSCHIRM	geis® NRG BASIC+SIGNAL flat cable; mains 5G4; 20 A; 0.6/1 kV; bus 2X1.5; 6 A; 250 V; unshielded; halogen free fire class: B2ca s1a d1 a1; color: black.
00.710.0303.1	Flat cable 5G2,5MM <sup>2</sup> HF SCHWARZ	geis® NRG BASIC flat cable; mains 5G2.5; 20 A; 0.6/1 kV; halogen free CPR class Eca; color: black.
00.710.0303.7	Flat cable 5G2,5MM <sup>2</sup> HF GRÜN	geis® NRG BASIC flat cable; mains 5G2.5; 20 A; 0.6/1 kV; halogen free CPR class Eca; color: green.
00.710.0304.1	Flat cable 5G4MM <sup>2</sup> HF SCHWARZ	geis® NRG BASIC flat cable; mains 5G4; 20 A; 0.6/1 kV; halogen free CPR class Eca; color: black.
00.710.0304.7	Flat cable 5G4MM <sup>2</sup> HF GRÜN	geis® NRG BASIC flat cable; mains 5G4; 20 A; 0.6/1 kV; halogen free CPR class Eca; color: green.
00.710.0323.7	Flat cable 5G2,5+2x1,5 HF MSCHIRM	geis® NRG BASIC+KNX flat cable; mains 5G2.5; 20 A; 0.6/1 kV; bus 2X1.5; 3 A; 50 V; shielded; halogen free CPR class Eca; color: green.
00.710.0324.7	Flat cable 5G4+2x1,5 HF MSCHIRM	geis® NRG BASIC+KNX flat cable; mains 5G4; 20 A; 0.6/1 kV; bus 2X1.5; 3 A; 50 V; shielded; halogen free CPR class Eca; color: green.
00.710.1323.1	Flat cable 5G2,5+2x1,5LSOH OSCHIRM	geis® NRG BASIC+SIGNAL flat cable; mains 5G2.5; 20 A; 0.6/1 kV; bus 2X1.5; 6 A; 250 V; unshielded; halogen free CPR class Eca; color: black.
00.710.1324.1	Flat cable 5G4+2x1,5LSOH OSCHIRM	geis® NRG BASIC+SIGNAL flat cable; mains 5G4; 20 A; 0.6/1 kV; bus 2X1.5; 6 A; 250 V; unshielded; halogen free CPR class Eca; color: black.

A

B

C

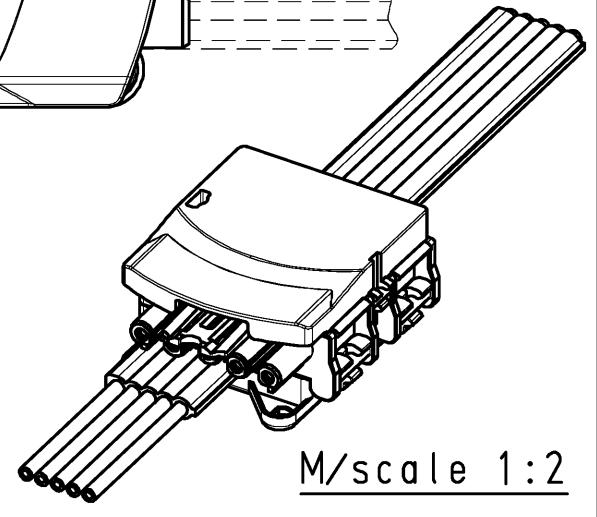
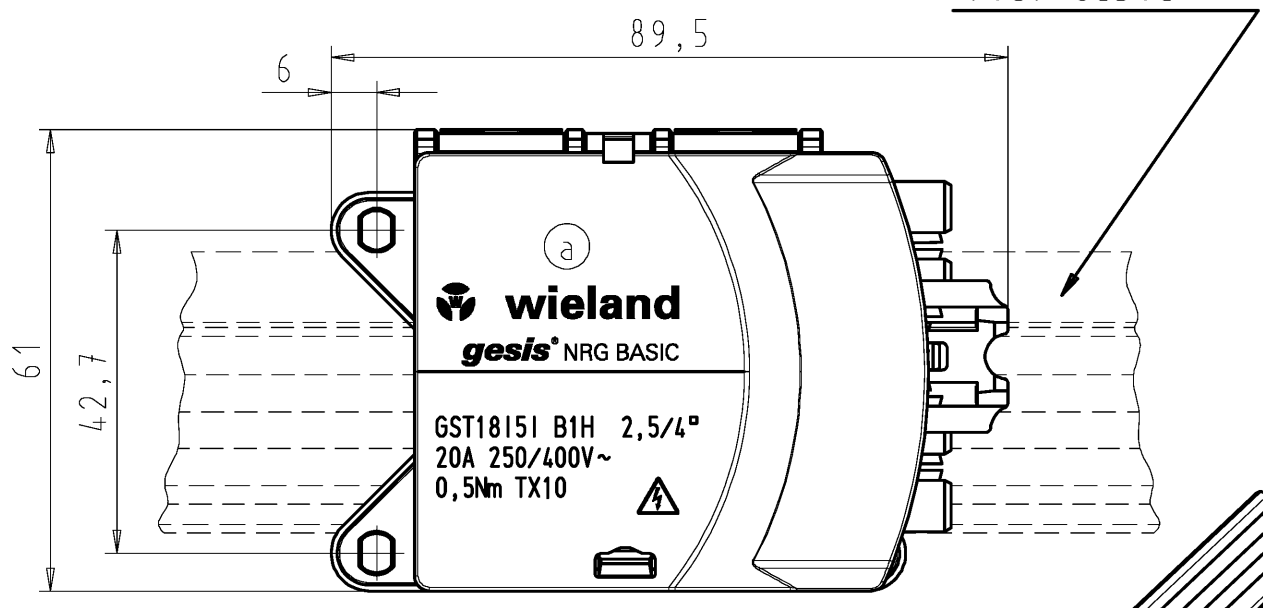
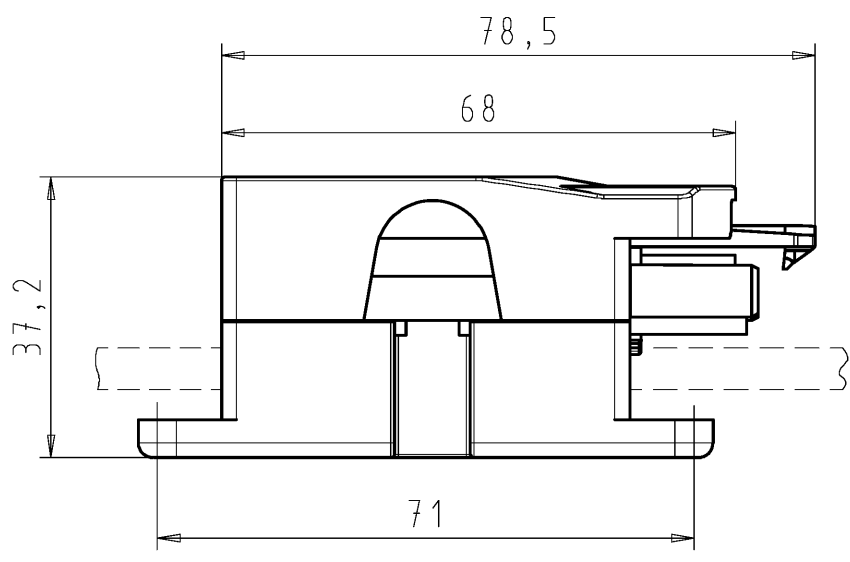
D

E

F

These dimensions will be especially checked at delivery  
 Only inspection dimensions  
 With /E marked dimensions are only valid for internal use

Diese Maße werden bei Abnahme besonders geprüft  
 Ausschließlich Prüfmaße  
 Mit /E gekennzeichnete Maße sind nur für interne Zwecke gültig



Weitergabe sowie Vervielfältigung dieses Dokuments, Verwertung und Mitteilung seines Inhalts sind verboten, soweit nicht ausdrücklich gestattet. Die Reproduktion, Distribution und Utilization of this document as well as the communication of its contents to others without express authorization is prohibited.

Tolerierung Size ISO 14405(E)/Tolerance system Size ISO 14405(E).  
 (This ISO-standard describes the envelope principle. According to the envelope principle the deviations of form and parallelism are limited by the size tolerances).

ja/yes  Stoffverbots- und Deklarationsliste nach WN 5020.010 ist einzuhalten.  
 Conformity with Wieland document WN 5020.010 e (list of prohibited / declarable hazardous substances) to be declared!

Freitoleranz nach General tolerance

CAD - Zeichnung, keine manuellen Änderungen  
 CAD - drawing, no manual modifications allowed

1.Verwendung: -  
 First Use:

Blatt: 1 von 1  
 Sheet: 1 of 1

	/		Werkstoff/Material	2015	Tag/Date	Name	Zeichnung Nr./Drawing No.	Index
	/		Farbe/colour: schwarz/black	gezeichnet drawn	21.1.	Ritter		
	/	Maßstab/Scale		geprüft checked	-	-	Maße in mm/Dimensions are in mm	
	/	1:1		Normgepr. Stand. check	-	-		
	/	Vol.	mm³	Of1./Surf.	mm²	Ersatz für/Replacement for: -		
	/			Type	Benennung/Title			
a	13.05.2015/		wieland	GST18151	BUCHSENTEIL_5P			
Index	Datum / Blatt Date / Sheet		www.wieland-electric.com	B1H SW	female connector für Flachbandleitung/ for flat conductor			
Änderung/Revision								