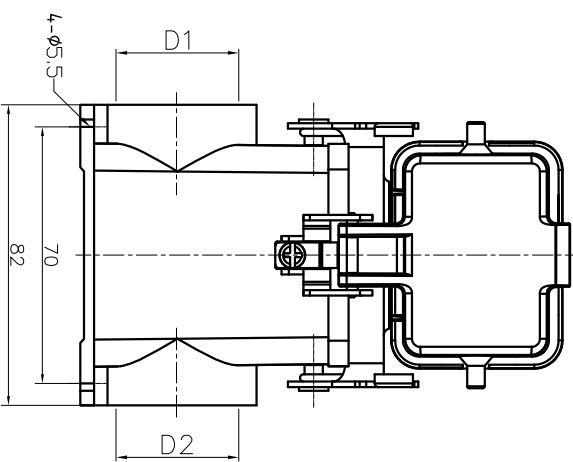
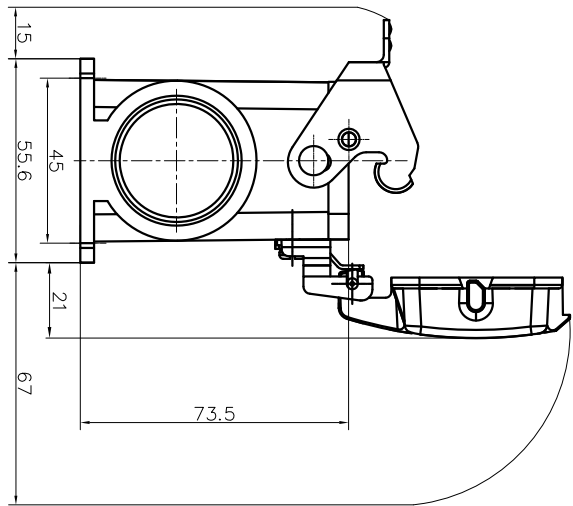
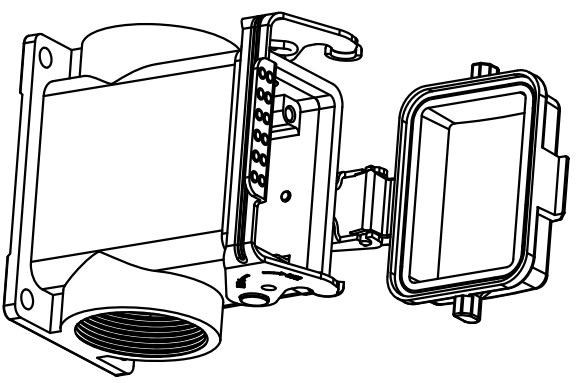


REVISION RECORD				
REV	ECN	DESCRIPTION	DRFT	DATE

TYPE	Thread		Selection
	D1	D2	
D6B-SFH-1L-CV-M25	M25	—	
D6B-SFH-1L-CV-2M25	M25	M25	
D6B-SFH-1L-CV-M32	M32	—	
D6B-SFH-1L-CV-2M32	M32	M32	
D6B-SFH-1L-CV-PG21	PG21	—	
D6B-SFH-1L-CV-2PG21	PG21	PG21	
D6B-SFH-1L-CV-PG29	PG29	—	
D6B-SFH-1L-CV-2PG29	PG29	PG29	



Housings Feature

- 01. Material: Aluminum die-cast
- 02. Surface: Powder-coated
- 03. Color: grey (RAL 7037)
- 04. Material: Metal (Lever)
- 05. Sealing: NBR
- 06. Covers: Plastic
- 07. Limiting temperatures: -40°C ~ +125°C
- 08. Flammability acc to UL94: V0
- 09. Degree of protection acc. to EN60529 for coupled connector: IP65
- 10. Rohs Compliance

DETACHED LISTS					
PART NO.:	/	 NINGBO DEGSON ELECTRICAL CO., LTD 宁波高松电子有限公司			
APPD:	Huang JS 2018.06.18			NAME:	
CHKD:	Yang SH 2018.06.18			TITLE:	CUSTOMER DRAWING
DRFT:	Luo XF 2018.06.18			DRAWING NO.:	/
THIRD ANGLE PROJECTION		DO NOT SCALE DRAWING	SCALE	1:1	