

Data sheet

Commercial Art.No.: 25.350.3953.0

PCB pin header 8213 S / 9 G OB

PCB pin header, connection method depends on used socket part , 9 poles, pitch: 5.08 mm, type of packing: carton, color: grey



| | |
|--------------------|---------------|
| Commercial Art.No. | 25.350.3953.0 |
| EAN | 4015573192775 |
| Order Unit | 50 |

Certificates / Approvals



Technical data

General

| | |
|--|----------------|
| Modular spacing | 5.08 mm |
| Soldering process | Wave soldering |
| Packaging | Carton |
| Number of poles | 9 |
| Number of levels | 1 |
| Marking | No |
| Fastening | None |
| Mating direction towards (circuit) board | 90° |

Technical data

| | |
|--------------------------|--------|
| Rated current | 12 A |
| Overvoltage Category I | 1000 V |
| Overvoltage Category II | 400 V |
| Overvoltage Category III | 250 V |
| Rated impulse voltage | 4 kV |

Technical Data UL/CSA

| | |
|------------------------|-------|
| Voltage UL | 300 V |
| Current field wiring | 15 A |
| Current factory wiring | 15 A |
| Voltage CSA | 300 V |
| Current CSA | 15 A |

Other

| | |
|-----------------------------|---------------|
| Type of insulation material | Thermoplastic |
| Color | Grey |
| Height | 12 mm |

| | |
|--------------------------|----------|
| Length | 47.12 mm |
| Depth | 8.4 mm |
| Material contact base | CuZn |
| Material contact surface | Sn |

Classification

| | |
|------------|----------|
| ECLASS 11 | |
| ECLASS 8.1 | 27440402 |
| ETIM 7.0 | EC002637 |
| ETIM 6.0 | EC002637 |
| ETIM 5.0 | EC002637 |
| ETIM 4.0 | EC002637 |

Product compliance

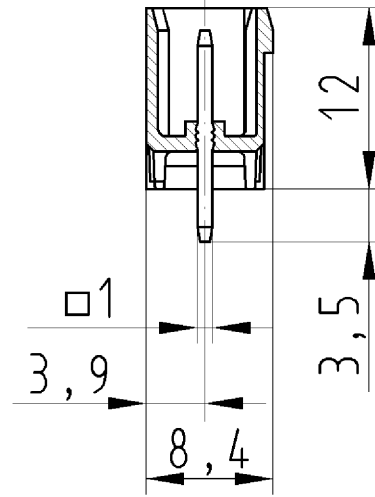
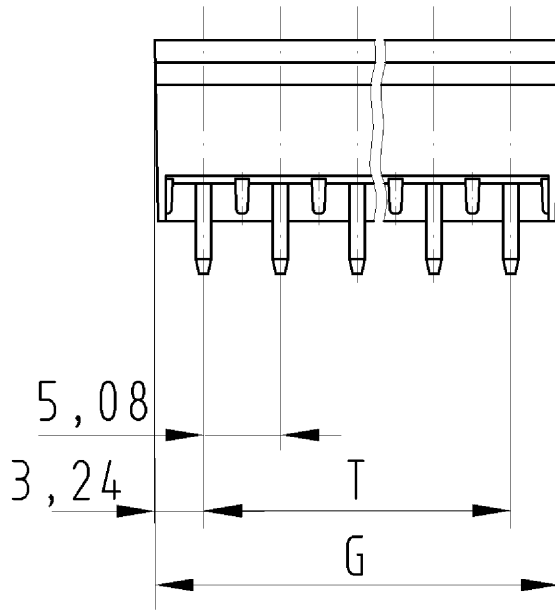
| | |
|------------------------------|-----------|
| ROHS conformity status | Compliant |
| REACH-SVHC conformity status | Compliant |

Fits with

| Commercial Art.No.: | Article-type description: | Description: |
|---------------------|-----------------------------------|--|
| 25.240.3953.0 | PCB connector 8213 B / 9 TOP OB | PCB female connector with front/top screw connection, 9 poles, max. cross section: 2.5 mm ² , pitch: 5.08 mm, type of packing: carton, color: grey |
| 25.240.0953.0 | PCB connector 8213 B / 9 TOP | PCB female connector with front/top screw connection, 9 poles, printed version, max. cross section: 2.5 mm ² , pitch: 5.08 mm, type of packing: carton, color: grey |
| 25.340.3953.0 | PCB connector 8213 B / 9 OB | PCB female connector with screw connection with rising cage clamp system, 9 poles, max. cross section: 2.5 mm ² , pitch: 5.08 mm, type of packing: carton, color: grey |
| 25.340.0953.0 | PCB connector 8213 B / 9 | PCB female connector with screw connection with rising cage clamp system, 9 poles, printed version, max. cross section: 2.5 mm ² , pitch: 5.08 mm, type of packing: carton, color: grey |
| 25.345.3953.0 | PCB connector 8213 B / 9 VR OB | PCB female connector with screw connection with rising cage clamp system, 9 poles, max. cross section: 2.5 mm ² , pitch: 5.08 mm, type of packing: carton, color: grey |
| 25.345.0953.0 | PCB connector 8213 B / 9 VR | PCB female connector with screw connection with rising cage clamp system, 9 poles, printed version, max. cross section: 2.5 mm ² , pitch: 5.08 mm, type of packing: carton, color: grey |
| 25.346.3953.0 | PCB connector 8213 B / 9 VL OB | PCB female connector with screw connection with rising cage clamp system, 9 poles, max. cross section: 2.5 mm ² , pitch: 5.08 mm, type of packing: carton, color: grey |
| 25.346.0953.0 | PCB connector 8213 B / 9 VL | PCB female connector with screw connection with rising cage clamp system, 9 poles, printed version, max. cross section: 2.5 mm ² , pitch: 5.08 mm, type of packing: carton, color: grey |
| 27.341.3953.0 | PCB connector 8213 B / 9 S OB | PCB female connector, 9 poles, pitch: 5.08 mm, type of packing: carton, color: grey |
| 25.840.3953.0 | PCB connector 8213 BFK / 9 TOP OB | PCB female connector with tension spring connection, 9 poles, max. cross section: 2.5 mm ² , pitch: 5.08 mm, type of packing: carton, color: grey |
| 25.840.0953.0 | PCB connector 8213 BFK / 9 TOP | PCB female connector with tension spring connection, 9 poles, printed version, max. cross section: 2.5 mm ² , pitch: 5.08 mm, type of packing: carton, color: grey |

| | | |
|---------------|--------------------------------|---|
| 25.343.3953.0 | PCB connector 8213 BL / 9 W OB | PCB female connector with pin header, connection method depends on usedsocket part , 9 poles, pitch: 5.08 mm, type of packing: carton, color: grey |
| 25.343.0953.0 | PCB connector 8213 BL / 9 W | PCB female connector with pin header, connection method depends on usedsocket part , 9 poles, printed version, pitch: 5.08 mm, type of packing: carton, color: grey |
| 25.342.3953.0 | PCB connector 8213 BL / 9 G OB | PCB female connector with pin header, connection method depends on usedsocket part , 9 poles, pitch: 5.08 mm, type of packing: carton, color: grey |
| 25.342.0953.0 | PCB connector 8213 BL / 9 G | PCB female connector with pin header, connection method depends on usedsocket part , 9 poles, printed version, pitch: 5.08 mm, type of packing: carton, color: grey |

für folgende Tabellen-Zchnng.:
25.350.3253.0 8213 S/...G



LP.STIFTLLEISTE
25.350.3253.0 10W
19.10.2007 SCJ
M 2:1