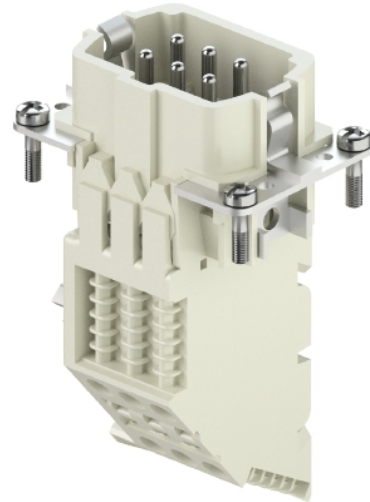


Data sheet

Commercial Art.No.: 70.116.0653.0

Multipole adapter BAS SAF KR 6 2,5 50

Multipole adapter revos BASIC 500V/16A spring clamp connection 6 pole + ground, short design, male insert, ground right



Commercial Art.No.	70.116.0653.0
EAN	4015573608979
Order Unit	10

Certificates / Approvals



Technical data

General

Model	Pin insert
Size (in accordance with DIN 43880)	6
Inflammability class of insulation material acc. with UL94	V0
Color	Grey
Pollution degree	3
Operating temperature range min.	-40 °C
Operating temperature range max.	120 °C
Modular version	No

Connection Data

Connection type	spring clamp connection
Number of poles	6
Plus switching contacts	0
Number of pole for rated current 2	0
Number of pole for rated current 3	0
Total number of poles (without ground contact)	6
With wire protection	yes
Leiterquerschnitt starr (ein-/mehrdrahtig) Min.	0.5 mm ²
Leiterquerschnitt starr (ein-/mehrdrahtig) Max.	2.5 mm ²
Protective contact	yes

Technical Data UL/CSA

Rated voltage according to UL/CSA	600 V
-----------------------------------	-------

Rated current according UL	16 A
Rated current according CSA	16 A
Min. conductor cross section flexible wire	0.5 mm ²
Max. conductor cross section flexible wire	2.5 mm ²
Conductor cross section flexible AWG wire	20-12 AWG

Model

With housing	No
Construction type	Short design (4 marking fields)
Position of protective conductor	Right

Contacts

Contact material	Copper alloy
Surface	Silver-plated
Wire strip length	9 mm
Contact resistance	≤ 3 mOhm

Screws head design/recomm. Torque

Mounting screws	H1/0.5-0.7 Nm
Ground conductor screws	H2/1.2-1.6 Nm

Technical Data DIN EN 61984

Nominal voltage	500 V
Rated voltage face/ground	500 V
Nominal current	16 A
Rated impulse voltage	6 kV

Classification

ECLASS 11	
ECLASS 8.1	27440205
ETIM 7.0	EC000438
ETIM 6.0	EC000438
ETIM 5.0	EC000438
ETIM 4.0	EC000438
ETIM 3.0	EC000438

Product compliance

ROHS conformity status	Compliant/Exempted
ROHS exceptions	III-6(c)
REACH-SVHC conformity status	Duty-To-Declare
REACH-SVHC substances	Lead
REACH-SVHC CAS numbers	7439-92-1

Accessories

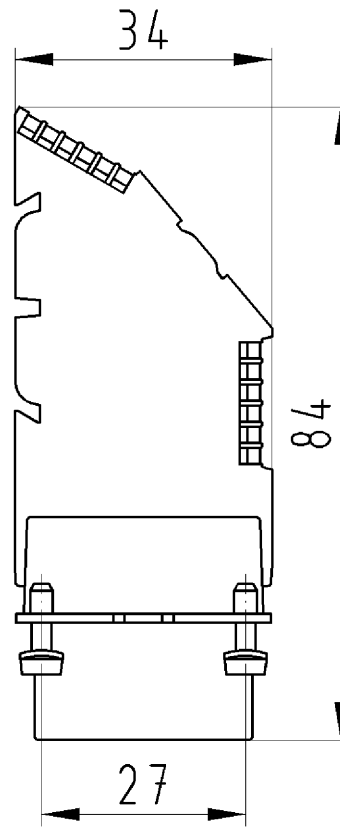
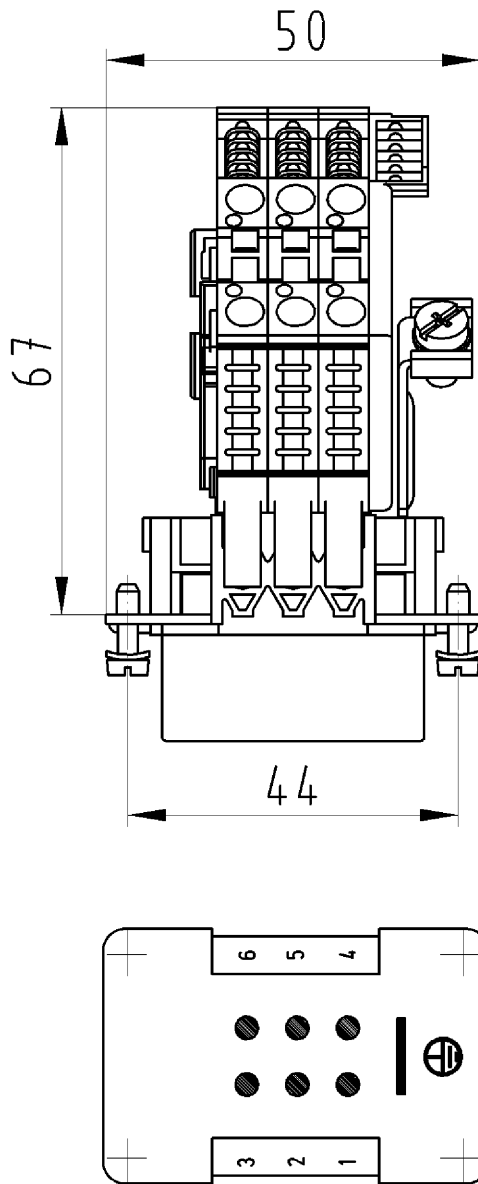
Commercial Art.No.:	Article-type description:	Description:
---------------------	---------------------------	--------------

06.502.4000.0	screwdriver DIN 5264 A 0,6 x 3,5	Screw driver according to DIN 5264 A, blade: 0.6x3.5 mm, long and straight version
---------------	----------------------------------	--

Fits with

Commercial Art.No.:	Article-type description:	Description:
70.300.0602.0	Female insert BAS BUS 6 2,5 50 AG	Female insert revos basic, 6-poles, rated current: 16A, rated voltage: 500V, with silver-plated contacts
70.300.0640.0	Female insert BAS BUS 6 2,5 50	Female insert revos basic, 6-poles, rated current: 16A, rated voltage: 500V, with tin-plated contacts
70.301.0640.0	Female insert BAS BUS 6 2,5 50 AU	Female insert revos basic, 6-poles, rated current: 16A, rated voltage: 500V, with gold-plated contacts
70.302.0640.0	Female insert BAS BUS OD 6 2,5 50	Female insert revos basic, 6-poles, rated current: 16A, rated voltage: 500V, with tin-plated contacts
70.500.0653.0	Female insert BAS BUF 6 2,5 50	Female insert revos basic, 6-poles, rated current: 16A, rated voltage: 500V, with silver-plated contacts
70.502.0653.0	Female insert BAS BUM 6 2,5 50 AG	Female insert revos basic, 6-poles, rated current: 16A, rated voltage: 500V, with silver-plated contacts
70.700.0658.0	Female insert BAS BUC 6 50	Female insert revos basic, 6-poles, rated current: 16A, rated voltage: 500V, with tin-plated contacts
70.320.0628.0	Bottom BAS GUT GK 6 A	Bottom-base revos basic made of aluminum, with single locking lever, open, low version, 6-poles
70.325.0628.0	Bottom BAS GUT GP 6 A	Bottom-base revos basic made of aluminum, with single locking lever and protective cover, open, low version, 6-poles
70.330.0635.0	Bottom BAS GUT GL 6 M20 A0	Bottom-base revos basic made of aluminum, with single locking lever and cable gland M20 on the right and left side (IP54), low version, 6-polig
70.330.0635.1	Bottom BAS GUT GL 6 M20 A1	Bottom-base revos basic made of aluminum, with single locking lever and threaded hole M20 on the right and left side, low version, 6-polig
70.331.0635.0	Bottom BAS GUT GM 6 M20 A0	Bottom-base revos basic made of aluminum, with single locking lever and cable gland M20 on the left side (IP54), low version, 6-polig
70.331.0635.1	Bottom BAS GUT GM 6 M20 A1	Bottom-base revos basic made of aluminum, with single locking lever and threaded hole M20 on the left side, low version, 6-polig
70.332.0635.0	Bottom BAS GUT GN 6 M20 A0	Bottom-base revos basic made of aluminum, with single locking lever and cable gland M20 on the right side (IP54), low version, 6-polig
70.332.0635.1	Bottom BAS GUT GN 6 M20 A1	Bottom-base revos basic made of aluminum, with single locking lever and threaded hole M20 on the right side, low version, 6-polig
70.333.0635.0	Bottom BAS GUT GO 6 M20 A0	Bottom-base revos basic made of aluminum, with single locking lever and cable gland M20 on the bottom (IP54), low version, 6-polig
70.333.0635.1	Bottom BAS GUT GO 6 M20 A1	Bottom-base revos basic made of aluminum, with single locking lever and threaded hole M20 on the bottom, low version, 6-polig
70.334.0635.0	Bottom BAS GUT GL 6 M25 A0	Bottom-base revos basic made of aluminum, with single locking lever and cable gland M25 on the right and left side (IP54), low version, 6-polig
70.334.0635.1	Bottom BAS GUT GL 6 M25 A1	Bottom-base revos basic made of aluminum, with single locking lever and threaded hole M25 on the right and left side, low version, 6-polig
70.335.0635.0	Bottom BAS GUT GM 6 M25 50 A0	Bottom-base revos basic made of aluminum, with single locking lever and cable gland M25 on the left side (IP54), low version, 6-polig
70.335.0635.1	Bottom BAS GUT GM 6 M25 A1	Bottom-base revos basic made of aluminum, with single locking lever and threaded hole M25 on the left side, low version, 6-polig
70.337.0635.1	Bottom BAS GUT GO 6 M25 A1	Bottom-base revos basic made of aluminum, with single locking lever and threaded hole M25 on the bottom, low version, 6-poles
70.340.0635.0	Bottom BAS GUT GR 6 M20 A0	Bottom-base revos basic made of aluminum, with single locking lever and cable gland M20 on the right and the left side, with protective cover (IP54), low version, 6-polig

70.340.0635.1	Bottom BAS GUT GR 6 M20 A1	Bottom-base revos basic made of aluminum, with single locking lever and threaded hole M20 on the right and the left side, with protective cover, low version, 6-polig
70.341.0635.0	Bottom BAS GUT GS 6 M20 A0	Bottom-base revos basic made of aluminum, with single locking lever and cable gland M20 on the left side, with protective cover (IP54), low version, 6-polig
70.341.0635.1	Bottom BAS GUT GS 6 M20 A1	Bottom-base revos basic made of aluminum, with single locking lever and threaded hole M20 on the left side, with protective cover, low version, 6-polig
70.342.0635.0	Bottom BAS GUT GT 6 M20 A0	Bottom-base revos basic made of aluminum, with single locking lever and cable gland M20 on the right side, with protective cover (IP54), low version, 6-polig
70.342.0635.1	Bottom BAS GUT GT 6 M20 A1	Bottom-base revos basic made of aluminum, with single locking lever and threaded hole M20 on the right side, with protective cover, low version, 6-polig
70.343.0635.0	Bottom BAS GUT GU 6 M20 A0	Bottom-base revos basic made of aluminum, with single locking lever and cable gland M20 on the bottom, with protective cover (IP54), low version, 6-polig
70.343.0635.1	Bottom BAS GUT GU 6 M20 A1	Bottom-base revos basic made of aluminum, with single locking lever and threaded hole M20 on the bottom, with protective cover, low version, 6-polig
70.405.0653.0	Female insert BAS BUP 6 2,5 50 AG	Female insert revos basic, 6-poles, rated current: 16A, rated voltage: 500V, with silver-plated contacts



Buchsenadapter
70.116.0653.0

Zeichnungsnummer
70.116.0653.010W
Buchsenadapter

12.11.2007
Hollet Florian
M 1:1