

DETAILS

| | |
|------------------------|------------------|
| Product Number | C11191_TUIJA-3-W |
| Family | Tuija |
| Type | Lens array |
| Color | clear |
| Diameter | 50 mm |
| Height | 14,5 mm |
| Style | round |
| Optic Material | PMMA |
| Holder Material | |
| Fastening | glue, pin |
| Status | production ready |
| ROHS Compliant | Yes |
| Date Updated | 1/12/2014 |



OPTICAL PROPERTIES

| LED | Viewing Angle | Light Beam | Efficiency | cd/lm | Connector |
|---------------------|---------------|------------|------------|------------|-----------|
| XP-E | 58 deg | Wide | 86 % | 0.920 | - |
| XP-G | 59 deg | Wide | 86 % | 0.750 | - |
| XB-D | 49 deg | Wide | 86 % | 1.100 | - |
| LUXEON Rebel | 48 deg | Wide | 86 % | 1.100 | - |
| LUXEON Rebel ES | 56 deg | Wide | 86 % | 0.870 | - |
| LUXEON A | 56 deg | Wide | 86 % | - | - |
| NCSxx19A | sim: 54 | Wide | 86 % | - | - |
| NVSxx19A | sim: 54 | Wide | 86 % | - | - |
| Oslon SSL 80 | 46 deg | Wide | 86 % | 0.440 | - |
| Oslon SSL 150 | sim: 58 | Wide | 86 % | sim: 1.100 | - |
| Z5 | 48 deg | Wide | 88 % | 1.400 | - |
| Double Dome (GM2BB) | 58 deg | Wide | 86 % | - | - |

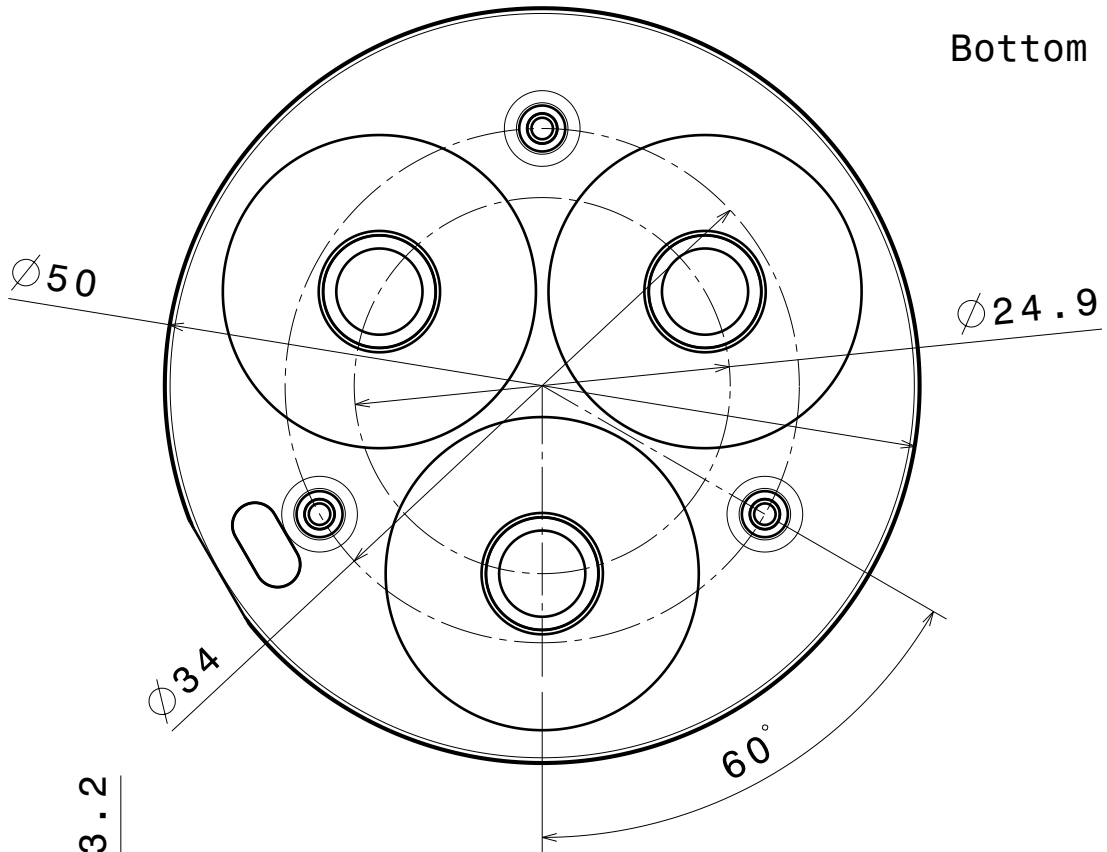
D

C

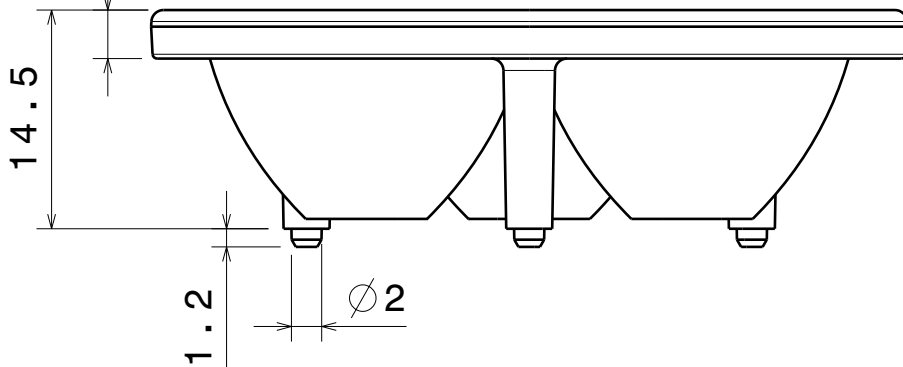
B

A

Bottom view



Front view



Part no.s:
 C11191_Tuija-3-W
 C11192_Tuija-3-SS
 C11193_Tuija-3-M

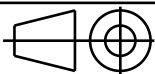
| INDEX | DESCRIPTION | MATERIAL | COLOUR |
|-------|-------------|----------|--------|
| 1 | TUIJA3_LENS | PMMA | |

Tolerances if not otherwise shown
 According to DIN ISO 2768-1
 Linear measures:
 up to 30mm class M, otherwise class C
 According to DIN ISO 2768-2
 Form and position: class L

LEDiL

Ledil Oy
 Salorankatu 10
 FIN 24240 SALO
 Finland

THIRD ANGLE PROJECTION:



DRAWING TITLE

TUIJA3 lens family

This drawing is the property
 of LEDiL Oy. It may not be
 reproduced, copied or
 communicated without a written
 agreement with LEDiL Oy.

SIZE PART NUMBER

A4

-

SCALE 2:1 WEIGHT

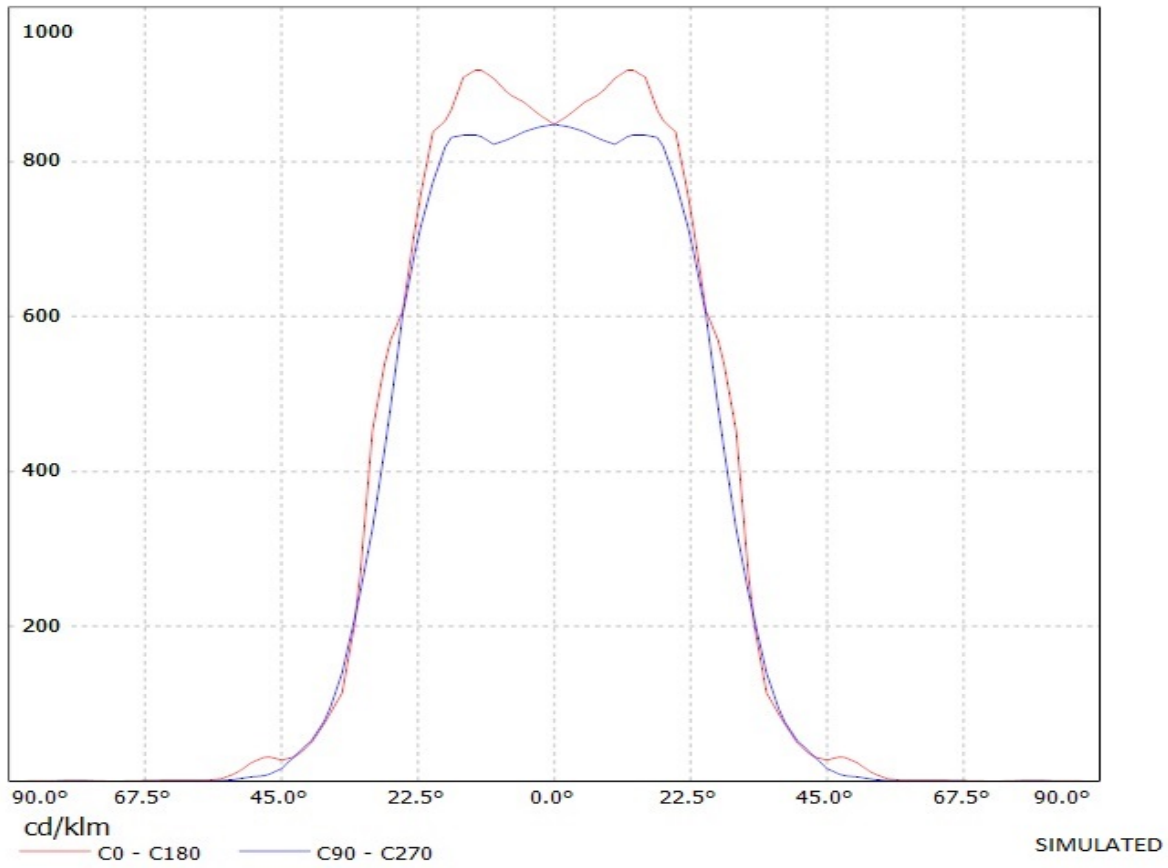
-

SHEET 1/1

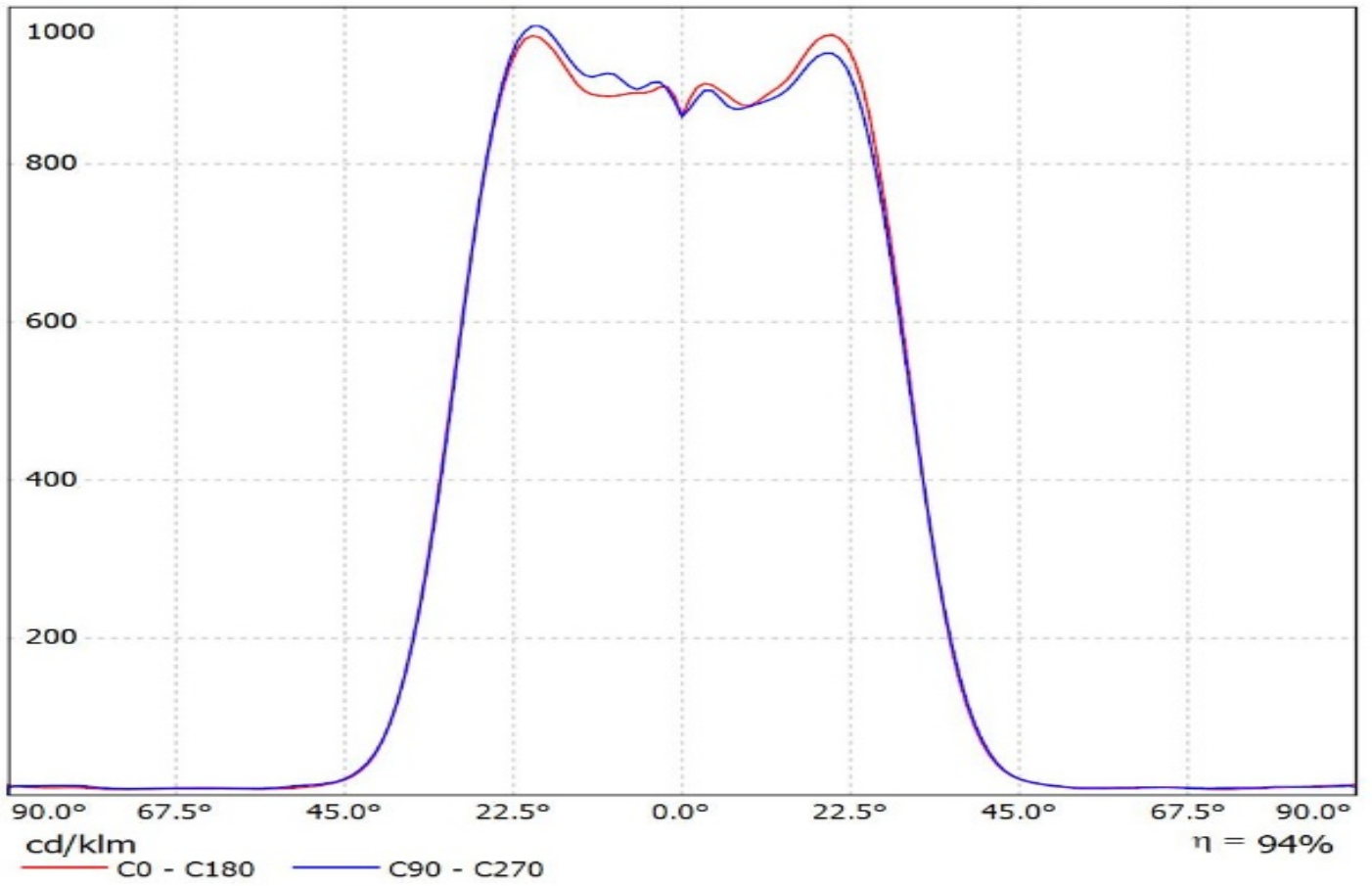
D

A

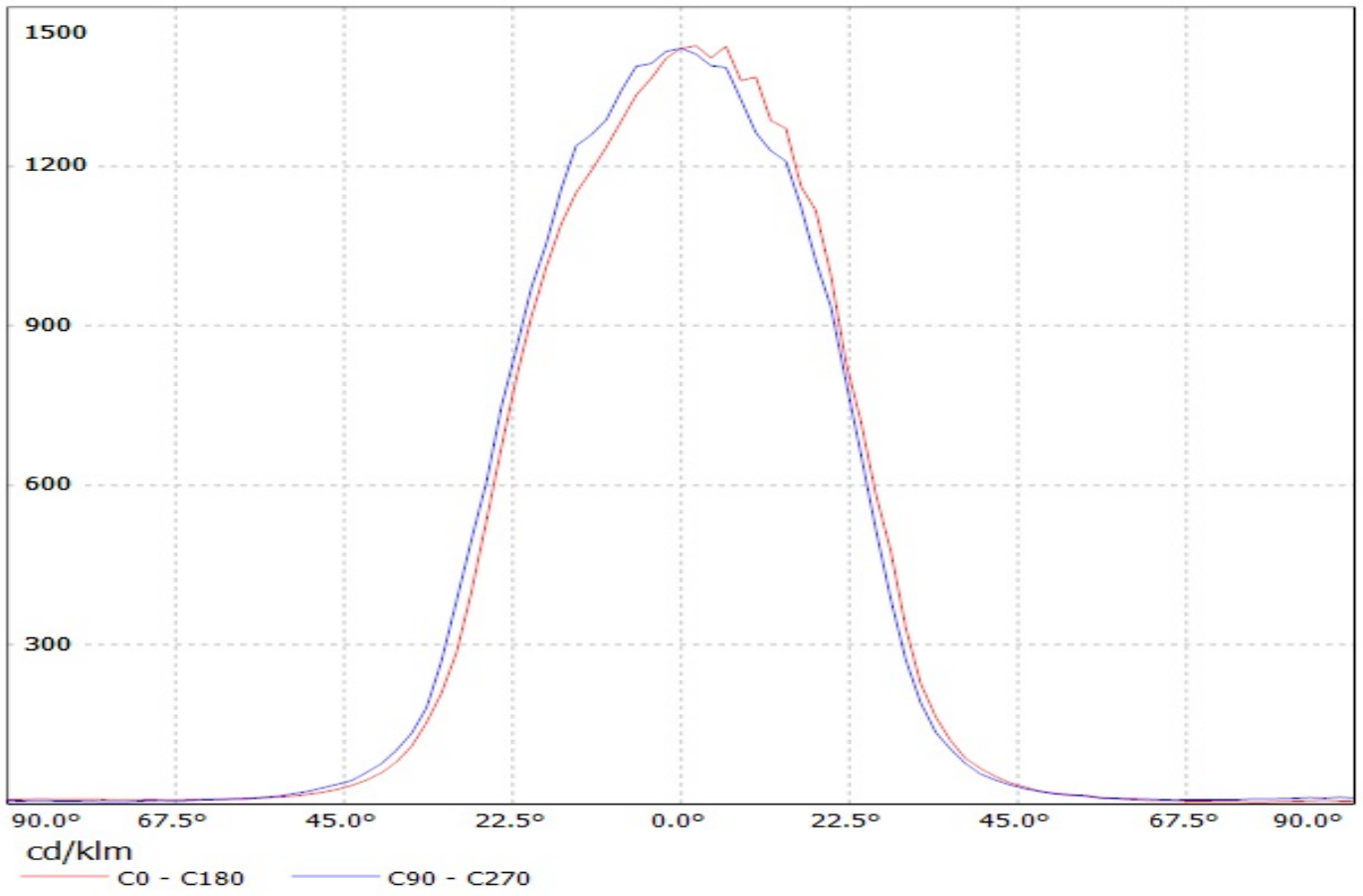
Luminaire: Ledil Oy C11191_Tuija-3-W-XP
Lamps: 1 x 3xCree XP-E 228lm 250mA



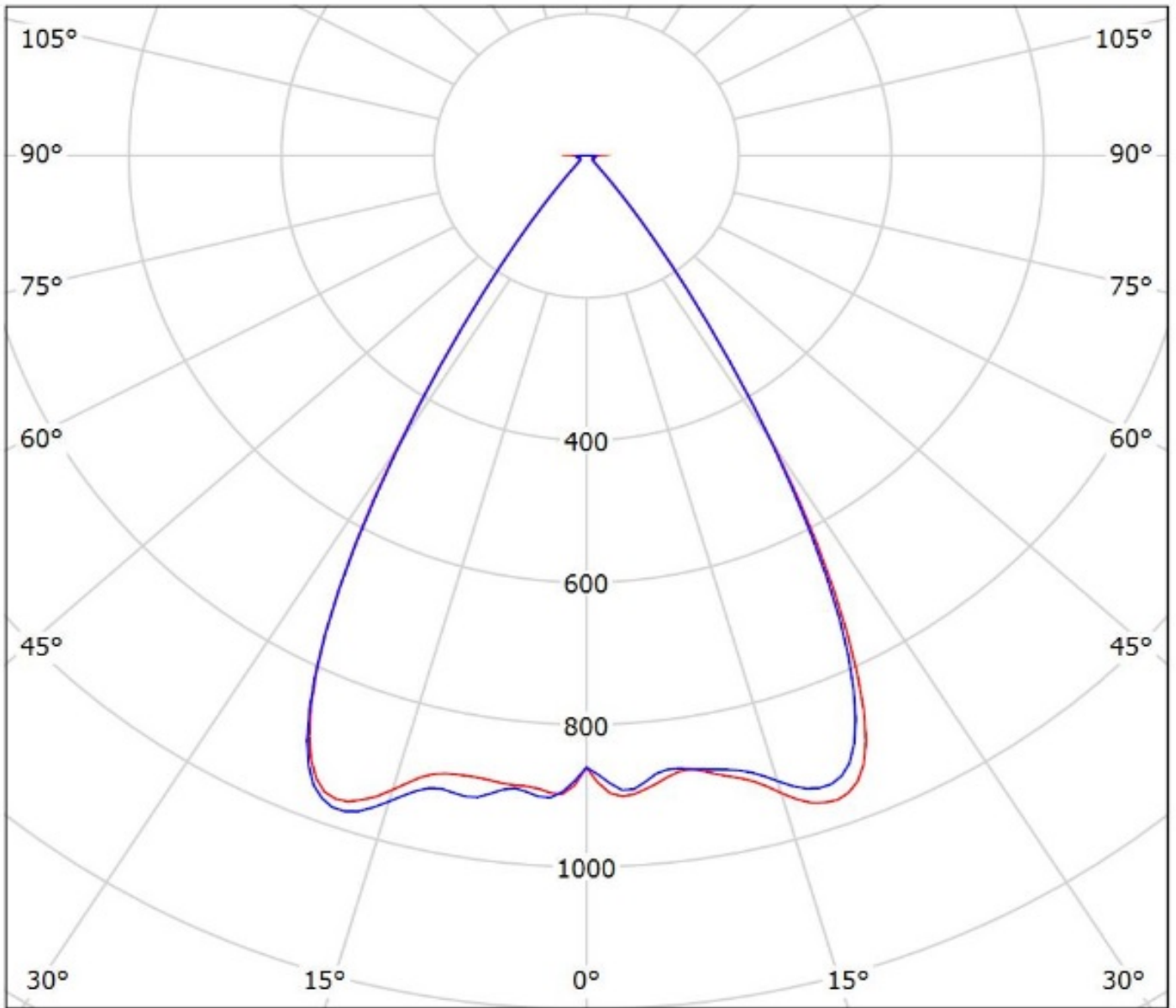
Luminaire: Ledil Oy C11191_TUJA-3-W_(XP-G)_SIMULATED
Lamps: 1 x Cree XP-G



Luminaire: Ledil Oy C11191_TUIJA-3-W (Seoul Z5 223lm @ 250mA) Efficiency=88%
Lamps: 1 x Seoul Z5 223lm @ 250mA



Luminaire: Ledil Oy C11191_TUJA-3-W_(XP-G)_SIMULATED
Lamps: 1 x Cree XP-G

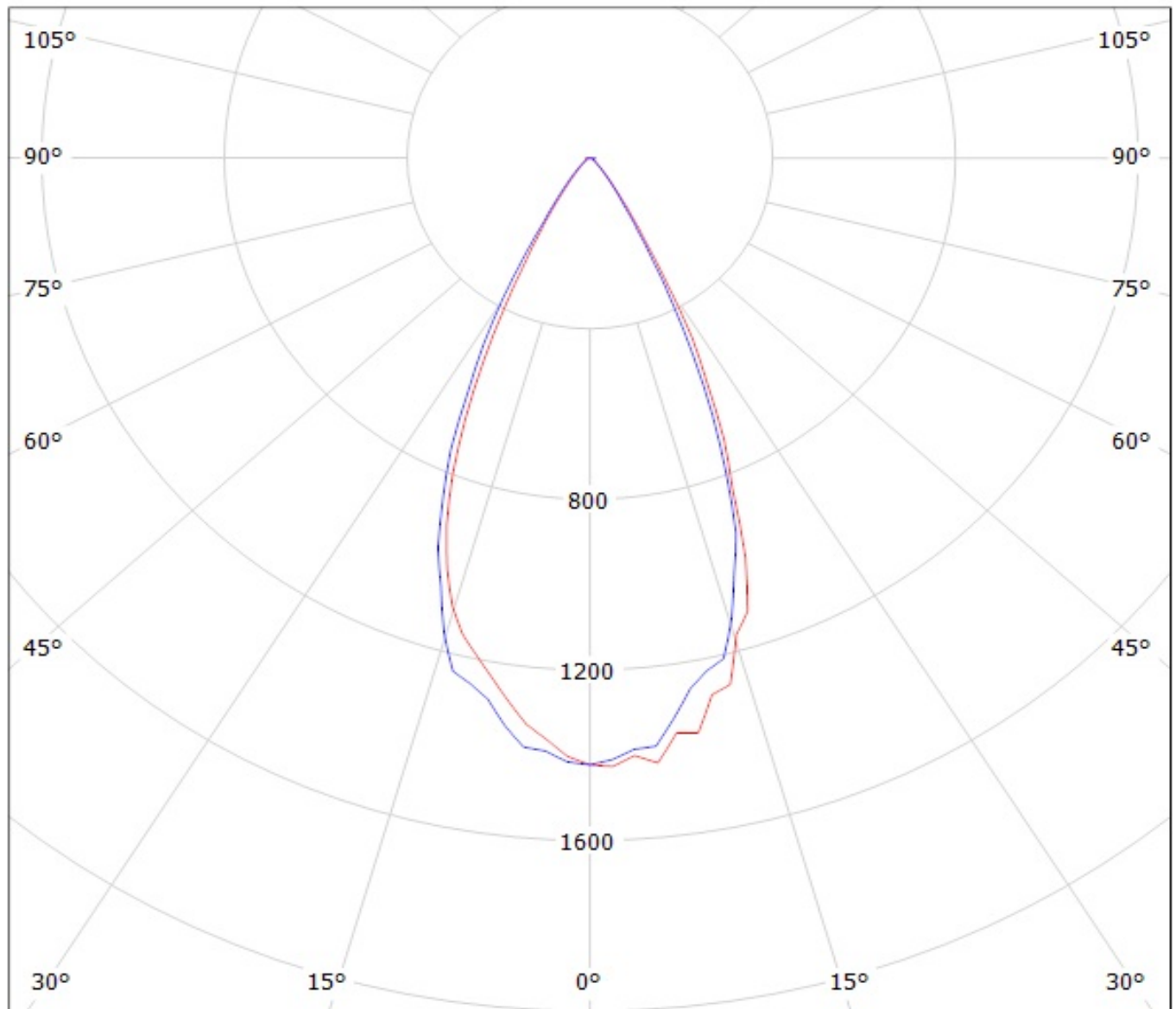


cd/klm

— C0 - C180 — C90 - C270

$\eta = 94\%$

Luminaire: Ledil Oy C11191_TUIJA-3-W (Seoul Z5 223lm @ 250mA) Efficiency=88%
Lamps: 1 x Seoul Z5 223lm @ 250mA



cd/klm

— C0 - C180

— C90 - C270

NOTE: The typical divergence will be changed by different color, chip size and chip position tolerance. The typical total divergence is the full angle measured where the luminous intensity is half of the peak value.