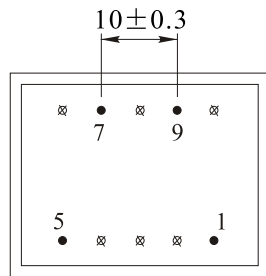
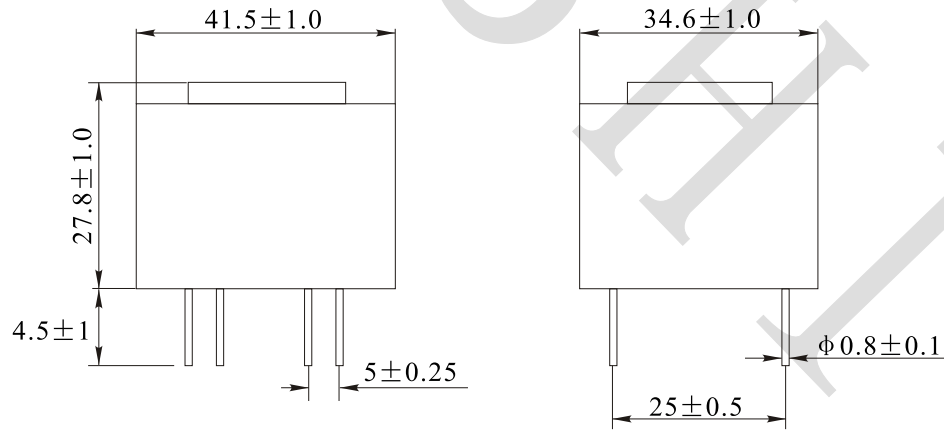


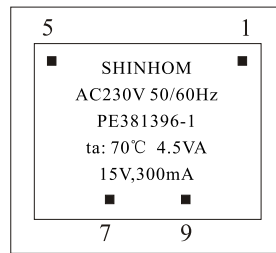
Rev.	Description	Date
A0	New release	2022.10.12

### 1. PHYSICAL CHARACTERISTICS (mm)



Bottom view

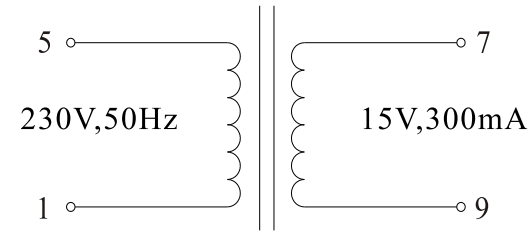
### Top marking



### NOTES:

Temp 20°C 48%RH  
RoHS Compliant

### 2. ELECTRONICAL SCHEMATIC



### 3. ELECTRONICAL SPECIFICATIONS

Pri voltage: 230V, 50Hz

Sec load voltage: 15.0V ± 5% @ 300mA

No load voltage: 21.2V ± 5% @ 15mA Max

Output Power: 4.5VA

Hi-Pot: 4000V, 50Hz, 1mA, 10S Pri to Sec

### Note:

- Solderability: leads shall meet MIL-STD-202, Method 208D for solderability.
- Flammability: UL94V-0
- ASTM oxygen index: >28%

NAME:	Potting Transformer		
CUSTOMER P/N:	BV EI 382 1193	DATE:	2022-10-12
SHINHOM P/N:	PE381396-1	REV:	A0
DRAWN BY:	CHECKED BY:	APPROVE BY:	



**SHINHOM**  
SHAANXISHINHOM ENTERPRISE CO LTD

The Document property belong to SHINHOM & is not allowed to be duplicated without authorization