

Data sheet

Commercial Art.No.: 25.857.0353.0

PCB pin header 8213 SUFK / 3 TOP

PCB pin header with tension spring connection, 3 poles, printed version, max. cross section: 2.5 mm², pitch: 5.08 mm, type of packing: carton, color: grey



| | |
|--------------------|---------------|
| Commercial Art.No. | 25.857.0353.0 |
| EAN | 4015573562707 |
| Order Unit | 100 |

Certificates / Approvals



Technical data

General

| | |
|------------------------------------|-------------------------|
| Modular spacing | 5.08 mm |
| Connection type | spring clamp connection |
| Soldering process | None |
| Packaging | Carton |
| Number of poles | 3 |
| Marking | yes |
| Fastening | None |
| Mating direction towards connector | 180° |

Technical data

| | |
|--------------------------|---------------------|
| Nominal cross section | 2.5 mm ² |
| Rated current | 12 A |
| Overvoltage Category I | 1000 V |
| Overvoltage Category II | 400 V |
| Overvoltage Category III | 250 V |
| Rated impulse voltage | 4 kV |
| Wire strip length | 11 mm |

Connection Data

| | |
|-------------------------------------|----------------------|
| Minimum cross section solid | 0.14 mm ² |
| Maximum cross section solid | 2.5 mm ² |
| Minimum cross section fine stranded | 0.14 mm ² |
| Maximum cross section fine stranded | 2.5 mm ² |
| Wire strip length | 11 mm |

Technical Data UL/CSA

| | |
|------------------------|-----------|
| Cross section UL | 22-12 AWG |
| Voltage UL | 300 V |
| Current field wiring | 12 A |
| Current factory wiring | 12 A |
| Cross section CSA | 22-12 AWG |
| Voltage CSA | 300 V |
| Current CSA | 12 A |

Other

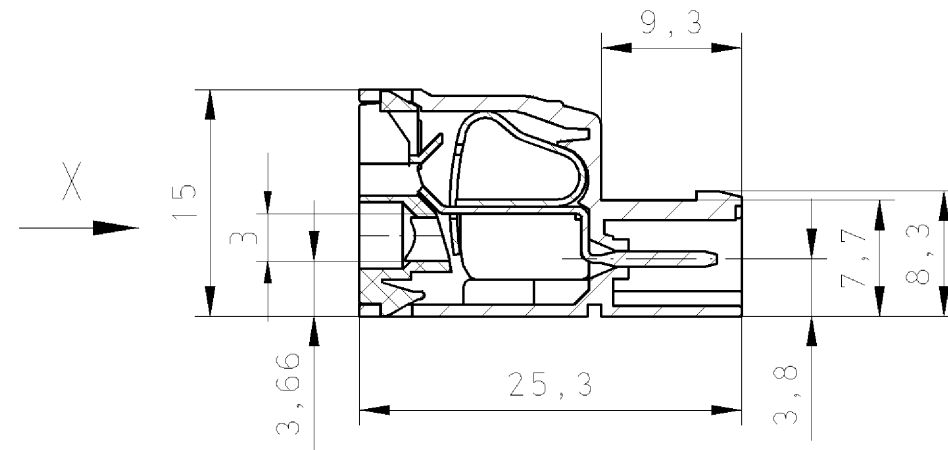
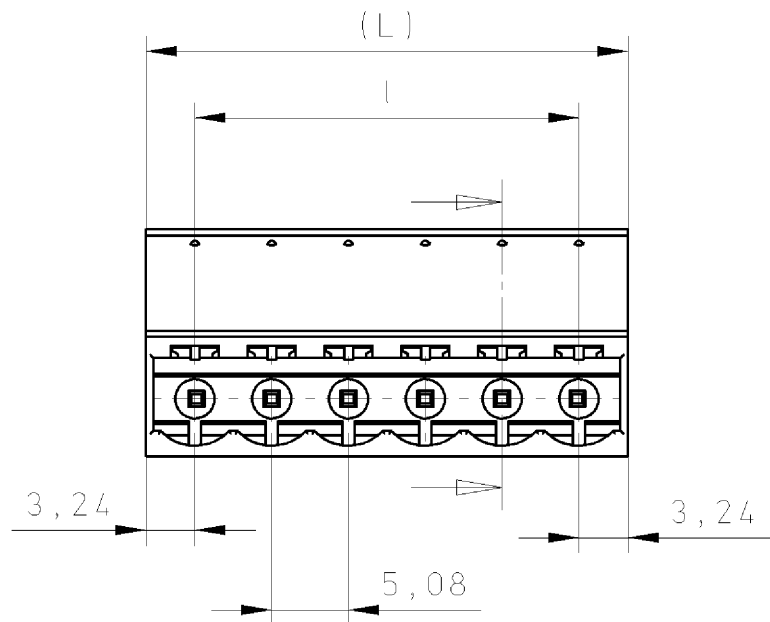
| | |
|-----------------------------|---------------|
| Type of insulation material | Thermoplastic |
| Color | Grey |
| Height | 15 mm |
| Length | 15.24 mm |
| Depth | 25.3 mm |
| Material attachment screw | None |
| Material contact base | Steel |
| Material contact surface | Sn |

Classification

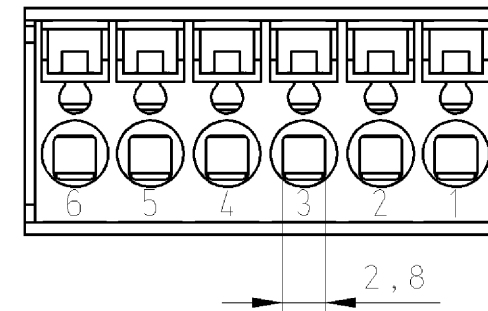
| | |
|------------|----------|
| ECLASS 11 | |
| ECLASS 8.1 | 27440402 |
| ETIM 7.0 | EC002637 |
| ETIM 6.0 | EC002637 |
| ETIM 5.0 | EC002637 |
| ETIM 4.0 | EC002637 |

Fits with

| Commercial Art.No.: | Article-type description: | Description: |
|---------------------|-----------------------------------|---|
| 25.840.3353.0 | PCB connector 8213 BFK / 3 TOP OB | PCB female connector with tension spring connection, 3 poles, max. cross section: 2.5 mm ² , pitch: 5.08 mm, type of packing: carton, color: grey |
| 25.840.0353.0 | PCB connector 8213 BFK / 3 TOP | PCB female connector with tension spring connection, 3 poles, printed version, max. cross section: 2.5 mm ² , pitch: 5.08 mm, type of packing: carton, color: grey |



Ansicht "X"
view "X"



gezeichnete Ausführung: 6-polig
drawn version: 6-poles

| Teile - Nr. part - no. | Polzahl pole | (L) | l | Typ type |
|---------------------------|-----------------|--------|--------|--------------|
| 25.857.0253.0 | 2 | 11,56 | 5,08 | 8213 SUFK/ 2 |
| 25.857.0353.0 | 3 | 16,64 | 10,16 | 8213 SUFK/ 3 |
| 25.857.0453.0 | 4 | 21,72 | 15,24 | 8213 SUFK/ 4 |
| 25.857.0553.0 | 5 | 26,80 | 20,32 | 8213 SUFK/ 5 |
| 25.857.0653.0 | 6 | 31,88 | 25,40 | 8213 SUFK/ 6 |
| 25.857.0753.0 | 7 | 36,96 | 30,48 | 8213 SUFK/ 7 |
| 25.857.0853.0 | 8 | 42,04 | 35,56 | 8213 SUFK/ 8 |
| 25.857.0953.0 | 9 | 47,12 | 40,64 | 8213 SUFK/ 9 |
| 25.857.1053.0 | 10 | 52,20 | 45,72 | 8213 SUFK/10 |
| 25.857.1153.0 | 11 | 57,28 | 50,80 | 8213 SUFK/11 |
| 25.857.1253.0 | 12 | 62,36 | 55,88 | 8213 SUFK/12 |
| 25.857.1353.0 | 13 | 67,44 | 60,96 | 8213 SUFK/13 |
| 25.857.1453.0 | 14 | 72,52 | 66,04 | 8213 SUFK/14 |
| 25.857.1553.0 | 15 | 77,60 | 71,12 | 8213 SUFK/15 |
| 25.857.1653.0 | 16 | 82,68 | 76,20 | 8213 SUFK/16 |
| 25.857.1753.0 | 17 | 87,76 | 81,28 | 8213 SUFK/17 |
| 25.857.1853.0 | 18 | 92,84 | 86,36 | 8213 SUFK/18 |
| 25.857.1953.0 | 19 | 97,92 | 91,44 | 8213 SUFK/19 |
| 25.857.2053.0 | 20 | 103,00 | 96,52 | 8213 SUFK/20 |
| 25.857.2153.0 | 21 | 108,08 | 101,60 | 8213 SUFK/21 |
| 25.857.2253.0 | 22 | 113,16 | 106,68 | 8213 SUFK/22 |
| 25.857.2353.0 | 23 | 118,24 | 111,76 | 8213 SUFK/23 |
| 25.857.2453.0 | 24 | 123,32 | 116,84 | 8213 SUFK/24 |

Weitere Daten siehe Katalog
further data see catalog

| | | | | | | | |
|--|--|---|--|---|--|---------------------------------|--|
| Tolerierung nach DIN 7167/Tolerance system acc. to DIN 7167. (This DIN-standard describes the envelope principle. According to the envelope principle the deviations of form and parallelism are limited by the size tolerances). | | | | ja/yes <input checked="" type="checkbox"/> Stoffverbots- und Deklarationsliste nach UU-TQM-05/03 ist einzuhalten. Conformity with Wieland document UU-TQM-05/03 (list of prohibited / declarable hazardous substances) to be declared! | | | |
| Freitoleranz nach General tolerance | | CAD - Zeichnung, keine manuellen Änderungen CAD - drawing, no manual modifications allowed | | 1. Verwendung: First Use: | | Blatt: 1 von 1 Sheet: 1 of 1 | |
| | | Werkstoff/Material Farbe/colour: grau/grey | | 2008 Tag/Date Name | | Zeichnung Nr./Drawing No. | |
| | | Bedruckung: schwarz printing: black | | gezeichnet drawn 25.02. Treschan | | T 25.857.0253.0 01K | |
| | | Maßstab/Scale 2:1 | | geprüft checked - | | Index | |
| | | Vol. mm ³ Ofl./Surf. mm ² | | Nicht gepr. Stand. check - | | Maße in mm/Dimensions are in mm | |
| | | Ersatz für/Replacement for: - | | Type | | Benennung/Title | |
| | | wieland | | LP_header | | LP_STIFTLISTE | |
| | | Elektrische Verbindungen | | mit Federkraftanschluß, Rastermaß: 5,08mm with spring clamp connection, pitch: 5,08mm | | | |
| Index Datum / Blatt Date / Sheet | | Änderung/Revision | | | | | |

These dimensions will be especially checked at delivery
Only inspection dimensions
Mit/with circled dimensions are only valid for internal use

Diese Maße werden bei Abnahme besonders geprüft
Ausschließlich Prüfmaße
Mit/with rektanguläre Maße sind nur für interne Zwecke gültig

Weitergabe sowie Vervielfältigung dieses Dokuments, Verwertung und Mitteilung seines Inhalts sind verboten, soweit nicht ausdrücklich gestattet.
The reproduction, distribution and utilization of this document as well as the communication of its contents to others without express authorization is prohibited.

258570253001K_4_CADW1044_treschan.2008-02-25T11:13:33 1.000