

Data sheet

Commercial Art.No.: 25.820.3353.0

PCB connector 8113 BFK / 3 TOP OB

PCB female connector with tension spring connection, 3 poles, max. cross section: 2.5 mm², pitch: 5 mm, type of packing: carton, color: grey



| | |
|--------------------|---------------|
| Commercial Art.No. | 25.820.3353.0 |
| EAN | 4015573562219 |
| Order Unit | 100 |

Certificates / Approvals



Technical data

General

| | |
|------------------------------------|-------------------------|
| Modular spacing | 5 mm |
| Connection type | spring clamp connection |
| Soldering process | None |
| Packaging | Carton |
| Number of poles | 3 |
| Marking | No |
| Fastening | None |
| Mating direction towards connector | 180° |

Technical data

| | |
|--------------------------|---------------------|
| Nominal cross section | 2.5 mm ² |
| Rated current | 12 A |
| Overvoltage Category I | 1000 V |
| Overvoltage Category II | 400 V |
| Overvoltage Category III | 250 V |
| Rated impulse voltage | 4 kV |
| Wire strip length | 11 mm |

Connection Data

| | |
|-------------------------------------|----------------------|
| Minimum cross section solid | 0.14 mm ² |
| Maximum cross section solid | 2.5 mm ² |
| Minimum cross section fine stranded | 0.14 mm ² |
| Maximum cross section fine stranded | 2.5 mm ² |
| Wire strip length | 11 mm |

Technical Data UL/CSA

| | |
|------------------|-----------|
| Cross section UL | 22-12 AWG |
|------------------|-----------|

| | |
|------------------------|-----------|
| Voltage UL | 300 V |
| Current field wiring | 12 A |
| Current factory wiring | 12 A |
| Cross section CSA | 22-16 AWG |
| Voltage CSA | 300 V |
| Current CSA | 12 A |

Other

| | |
|-----------------------------|---------------|
| Type of insulation material | Thermoplastic |
| Color | Grey |
| Height | 15 mm |
| Length | 15 mm |
| Depth | 24.3 mm |
| Material attachment screw | None |
| Material contact base | Steel |
| Material contact surface | Sn |

Classification

| | |
|------------|----------|
| ECLASS 11 | |
| ECLASS 8.1 | 27440402 |
| ETIM 7.0 | EC002637 |
| ETIM 6.0 | EC002637 |
| ETIM 5.0 | EC002637 |
| ETIM 4.0 | EC002637 |

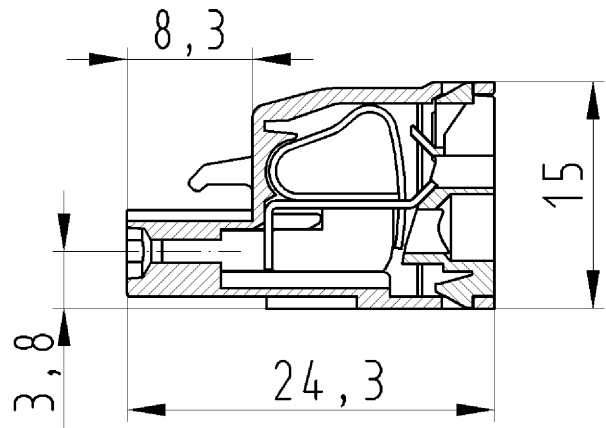
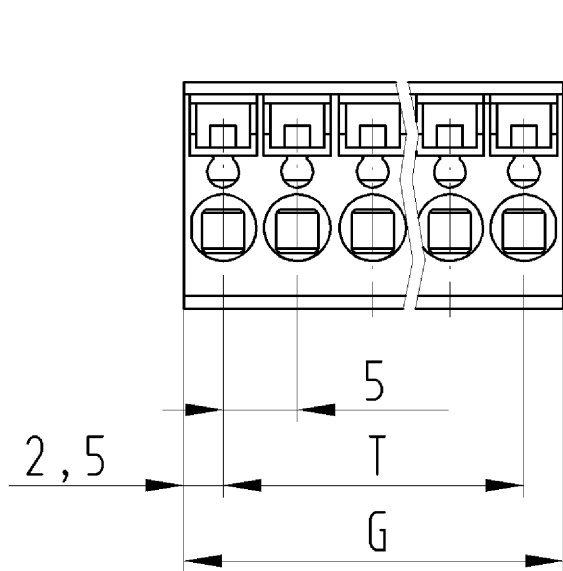
Product compliance

| | |
|------------------------------|-----------|
| ROHS conformity status | Compliant |
| REACH-SVHC conformity status | Compliant |

Fits with

| Commercial Art.No.: | Article-type description: | Description: |
|---------------------|--------------------------------------|------------------------------------------------------------------------------------------------------------------------------------------------------------------------------------------------------------------------------|
| 25.332.3306.0 | PCB pin header 8113 S / 3 W OB THR | PCB pin header, connection method depends on used socket part , 3 poles, with solder pin (2.6mm, tin plated), pitch: 5 mm, type of packing: carton, color: black, This product can be soldered by reflow and wave soldering, |
| 25.332.3353.0 | PCB pin header 8113 S / 3 W OB | PCB pin header, connection method depends on used socket part , 3 poles, pitch: 5 mm, type of packing: carton, color: grey |
| 99.203.9996.0 | PCB pin header 8113 S / 3 G OB OF | PCB pin header, connection method depends on used socket part , 3 poles, pitch: 5 mm, type of packing: carton, color: grey |
| 25.330.3353.0 | PCB pin header 8113 S / 3 G OB | PCB pin header, connection method depends on used socket part , 3 poles, pitch: 5 mm, type of packing: carton, color: grey |
| 25.394.3353.0 | PCB pin header 8113 S / 3 S OB | PCB pin header, connection method depends on used socket part , 3 poles, pitch: 5 mm, type of packing: carton, color: grey |
| 99.263.9996.0 | PCB pin header 8113 S / 3 W OB OF | PCB pin header, connection method depends on used socket part , 3 poles, pitch: 5 mm, type of packing: carton, color: grey |
| 27.336.0353.0 | PCB pin header 8113 SEG / 3 / 6 W OB | PCB pin header, 3 poles, pitch: 5 mm, type of packing: carton, color: grey |
| 25.336.3353.0 | PCB pin header 8113 S E / 3 W OB | PCB pin header, connection method depends on used socket part , 3 poles, pitch: 5 mm, type of packing: carton, color: grey |

| | | |
|---------------|--------------------------------------|------------------------------------------------------------------------------------------------------------------------------------------------------------------------------------------------------------------------------|
| 27.334.0353.0 | PCB pin header 8113 SEG / 3 / 6 G OB | PCB pin header, 3 poles, pitch: 5 mm, type of packing: carton, color: grey |
| 25.334.3353.0 | PCB pin header 8113 S E / 3 G OB | PCB pin header, connection method depends on used socket part , 3 poles, pitch: 5 mm, type of packing: carton, color: grey |
| 25.330.3306.0 | PCB pin header 8113 S / 3 G OB THR | PCB pin header, connection method depends on used socket part , 3 poles, with solder pin (2.6mm, tin plated), pitch: 5 mm, type of packing: carton, color: black, This product can be soldered by reflow and wave soldering, |



Weitergabe sowie Vervielfältigung dieses Dokuments, Verwertung und Mitteilung seines Inhalts sind verboten, soweit nicht ausdrücklich gestattet. The reproduction, distribution and utilization of this document as well as the communication of its contents to others without express authorization is prohibited.

für folgende Tabellen-Zchnng.:
 25.820.3253.0 8113 BFK/..TOP OB

LP . STECKKLEMME
 25.820.3253.0 10W
 05.11.2007 DÜT
 M 2:1