

Data sheet

Commercial Art.No.: 76.350.0736.1

Hood MIN GOT GA 7 M20 25 Z1

Hood revos MINI made of zinc, ankled with threaded hole M20, low version



Commercial Art.No.	76.350.0736.1
EAN	4015573651173
Order Unit	10

Technical data

General

Housing material	Die-cast zinc
Color	Grey
Surface	With powder coating
Degree of protection (IP)	Other
UV resistant	yes
Inflammability class of insulation material acc. with UL94	Other
Operating temperature range min.	-40 °C
Operating temperature range max.	120 °C

Model

Construction	3
Locking mechanism	Single locking lever
Cable entry	Sideways
Type of cable	Thread
With cable screw gland	No
Thread size M	20
Thread size PG	
Hinged lid	No
EMC-version	No
Length	36 mm
Width	36 mm
Height	48 mm

Classification

ECLASS 11	
-----------	--

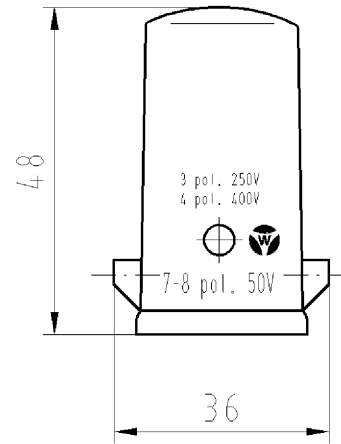
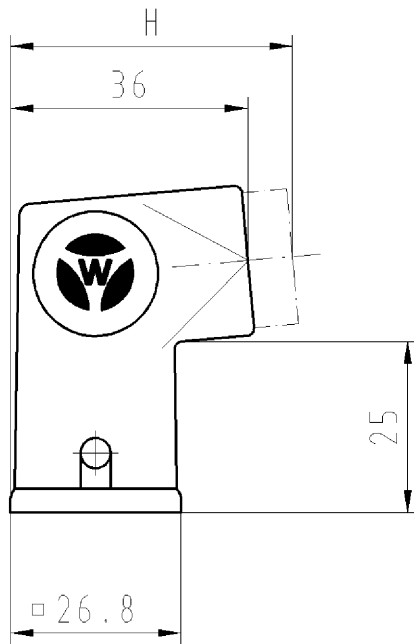
ECLASS 8.1	27440202
ETIM 7.0	EC000437
ETIM 6.0	EC000437
ETIM 5.0	EC000437
ETIM 4.0	EC000437
ETIM 3.0	EC000437

Fits with

Commercial Art.No.:	Article-type description:	Description:
73.300.0353.0	Female insert MIN BUS 3 2,5 40	Female insert revos MINI, 3-poles, rated current: 10A, rated voltage: 250/400 V, with tin-plated contacts
73.310.0353.0	Male insert MIN STS 3 2,5 40	Male insert revos MINI, 3-poles, rated current: 10 A, rated voltage: 250/400 V, with tin-plated contacts
73.300.0453.0	Female insert MIN BUS 4 2,5 25 AG	Female insert revos MiNI, 4-poles, rated current: 10A, rated voltage: 400V, with silver-plated contacts
73.310.0453.0	Male insert MIN STS 4 2,5 25 AG	Male insert revos MiNI, 4-poles, rated current: 10A, rated voltage: 400V, with silver-plated contacts
73.700.0753.0	Female insert MIN BUC 7 25	Female insert revos MINI, 7-poles, crimp connection, rated current: 10A, rated voltage: 400V, with silver-plated contacts
73.710.0753.0	Male insert MIN STC 7 25	Male insert revos MiNI, 7-poles, crimp connection, rated current: 10A, rated voltage: 400V, with silver-plated contacts
73.700.0853.0	Female insert MIN BUC 8 05	Female insert revos MiNI, 8-poles, crimp connection, rated current: 10A, rated voltage: 50V, with silver-plated contacts
73.710.0853.0	Male insert MIN STC 8 05	revos MINI 8 pole, male insert, 50V/10A, crimp connection
73.700.1253.0	Female insert MIN BUC 12 40 AG	revos MINI Q12, 12-pole + ground, female insert, IEC 690V/10A, UL 600V/10A, crimp connection
73.710.1253.0	Male insert MIN STC 12 40 AG	revos MINI Q12, 12-pole + ground, male insert, IEC 690V/10A, UL 600V/10A, crimp connection
73.700.0553.0	Female insert MIN BUC 5 25 AG	Female insert revos MiNI, 5-poles, crimp connection, rated current: 16 A, rated voltage: 400V, with silver-plated contacts
73.710.0553.0	Male insert MIN STC 5 25 AG	Male insert revos MiNI, 5-poles, crimp connection, rated current: 16 A, rated voltage: 400V, with silver-plated contacts

○ Diese Maße werden bei Abnahme besonders geprüft
 Ausschnittlich Prüfmaße

□ Mit ZF gekennzeichnete Maße sind nur für interne Zwecke gültig




Weitergabe sowie Vervielfältigung dieses Dokuments, Verwertung und Mitteilung seines Inhalts sind verboten, soweit nicht ausdrücklich gestattet. The reproduction, distribution and utilization of this document as well as the communication of its contents to others without express authorization is prohibited.

○ 76.350.0736.0 mit Verschraubung M 20
with screw connection M20

76.350.0736.1 mit Gewinde M 20
with thread M20

Teile - Nr. part-no.	H	Material material
76.350.0736.0	~43	Zinkdruckguß
76.350.0736.1	--	

Freitoleranz nach DIN -		CAD - Zeichnung, keine manuellen Änderungen		1. Verwendung: -		Bl.: 1 von 1		
	/	Maßstab %	2004	Tag	Name	T	Zeichnung Nr. 76.350.0736.0 01K	Index
	/		Entworfen	16.11.	Dütsch T.			
	/		Geprüft	-	-			
	/		Normgepr.	-	-	Ersatz für: -		
Buchstabe	Datum / Blatt	 wieland Elektrische Verbindungen	Benennung GEHAEUSE_OBERTEIL 7 - polig M 20 seitlich/sidewise					
Änderung								