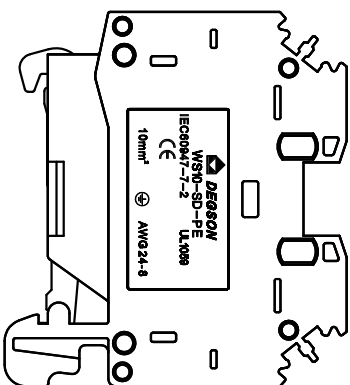
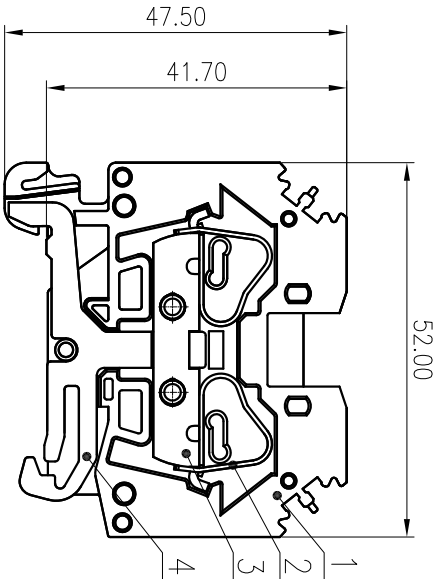


公差等级 (General Tolerances)(mm)		0.1/10
0	>3	~
~	>6	~
~	>10	~
~	>18	~
3	~	~
~	6	~
~	10	~
~	18	~
~	30	~
~	50	~
~	80	~
~	120	~
~	180	~
~	250	~
~	315	~
~	400	~
~	500	~
~	>500	~
±0.12	±0.18	±0.22
±0.22	±0.26	±0.31
±0.37	±0.57	±0.80
±0.93	±1.05	±1.15
±1.60	±2.20	±2.50
±2		±2



UL 标准/UL Standard:	B	C	D
额定电压/电压/Rated Voltage(V)/Current(A)	/	/	/
EC 标准/IEC Standard:	/	/	/
过压类别/Overvoltage Category/污染等级/ Pollution Degree	III/3	/	/
额定电压/电流/Rated Voltage(V)/Current(A)	/	/	/
额定脉冲电压 (KV)/Rate Impulse Voltage(KV)	8.0	/	/
导线范围(硬线和软线)/Wire Range(rigid and flexible)(mm ² /AWG)	0.2~10/24~8		
间距/Pitch(mm)	10.0		
剥线长度/Stripping length(mm)	13~14		
使用温度范围/Operating Temperature(°C)	-40~+105		
符合环保要求/Conform to RoHS	Yes		
标准颜色编号/Standard color number:			
PANTONE / RAL	/		

MATERIAL: /

SURFACE: /

MAT NO.: /

STATUS: /

APPD: Li GL 2020.05.29

CHKD: Mao J 2020.05.29

DRT: LJB 2018.09.03

DEGSON® 宁波高松电子有限公司
NINGBO DEGSON ELECTRICAL CO., LTD

NAME: **WS10-SD-PE-01P-1C-00A(H)**

DRAWING NO.: WS10-SD-PE-C01

SIZE: A4

TYPE: CUSTOMER DRAWING

SCALE: 1:1



mm
inch

REV T1

SHEET 1/1

ITEM	NAME OF PART	MATERIAL	NOTES
4	Ground Contact	Copper Alloy	Sn Plated
3	Current Carrier	Copper	Sn Plated
2	Spring	Stainless Steel	
1	Housing	PA66	UL94V-0

REV

EON

DESCRIPTION

DRT

DATE



mm
inch

TYPE: CUSTOMER DRAWING

SCALE: 1:1

REV T1

SHEET 1/1