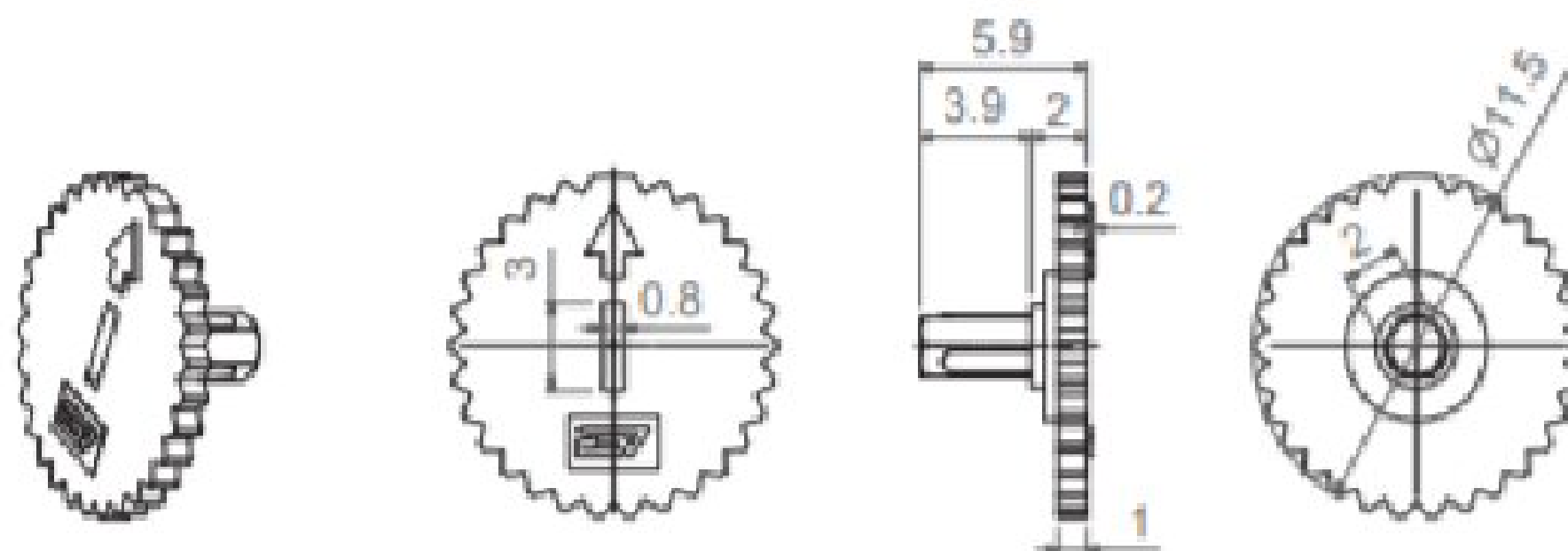




9002



	CA9 Through-hole and SMD	
Damp heat	500 h. at 40°C and 95% RH	+5%, -2%
Thermal cycles	16 h at 85°C, plus 2 h at -25°C	±2.5%
Load life	1.000 h. at 50°C	+0%; -6%
Mechanical life	1.000 cycles at 10 c.p.m. and at 23°C ± 2°C	±3%
Storage (3years)	3 years at 23°C ± 2°C	±3%

CA9 Through-hole and SMD

