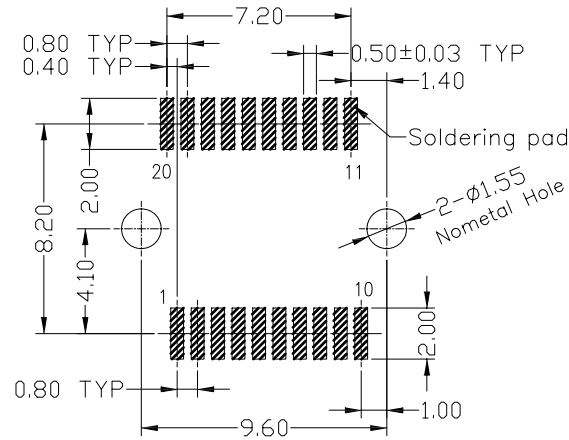
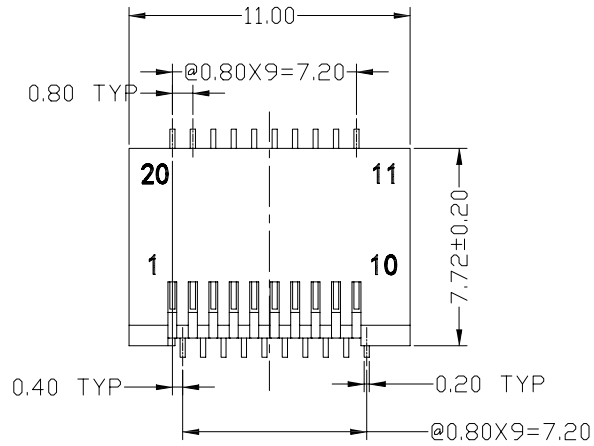
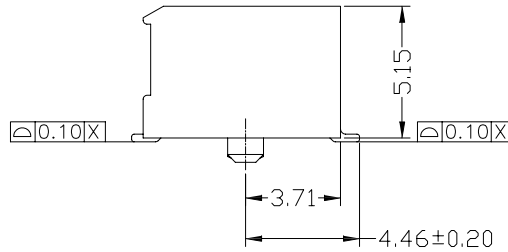
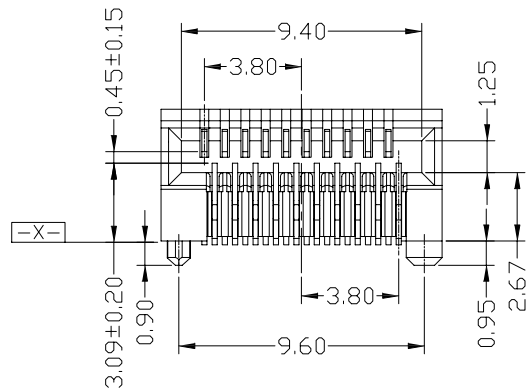


RoHS Compliant



RECOMMENDED PCB LAYOUT(Top View)
Tolerance:±0.05



NOTES:

ELECTRICAL:

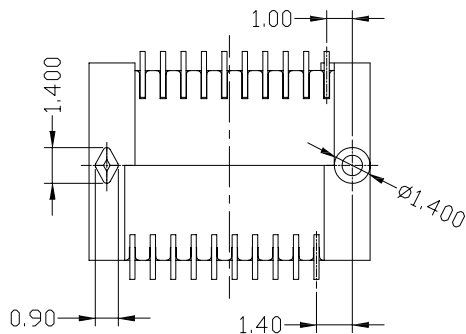
- 1.CONTACT RESISTANCE:30 MILLIOHMS MAX;
- 2.DIELECTRIC WITHSTANDING VOLTAGE:300 VDC MIN;
- 3.INSULATION RESISTANCE:1000 MEGAOHMS MIN AT 100 VDC FOR 1 MINUTE.

MATERIAL:

- 1.HOUSING: LCP UL94V-0 COLOR BALCK;
- 2.CONTACT: PHOSPHOR BRONZE T=0.20MM;
CONTACT PLATING: GOLD PLATING ON CONTACT AREA,15u"
OVER NICKEL UNDERPLATING OVERALL;
- 3.ROHS COMPLIANCE;
- 4.DURABILITY: 100 CYCLES MIN.

ENVIRONMENTAL:

- 1.OPERATION TEMPERATURE RANGE:-40°C TO +85°C.
- 2.STORAGE TEMPERATURE RANGE:-40°C TO +85°C.



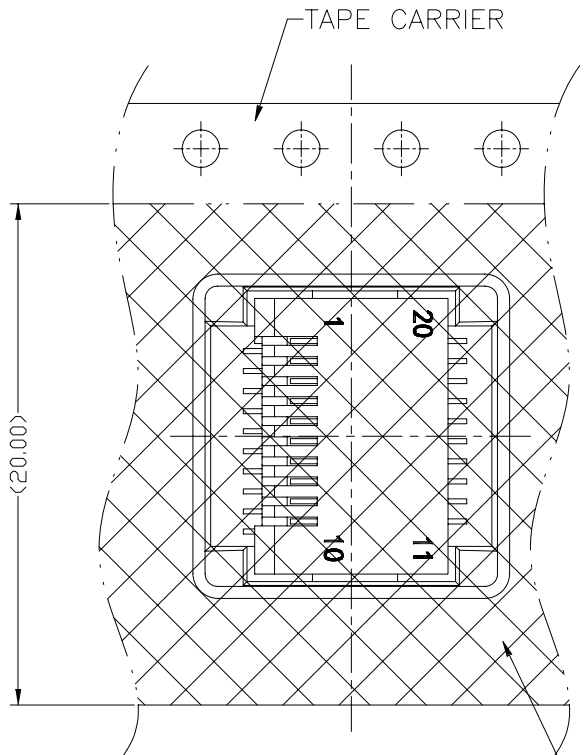
GENERAL TOLERANCE	ANGLE TOLERANCE	PROJECTION		Description:
X. ±0.60	X. ±5°	UNITS	mm	SFP 20Pin SMD Connector
.X ±0.38	.X ±3°	SHEET SIZE	A4	
.XX ±0.25	.XX ±2°			P/N: KLS12-SFP-004

Draw by: Date	2016-07-01
Check by:: Date	2016-07-01
SCALE	SHEET OF

KLS ELECTRONIC CO., LTD.

Remark

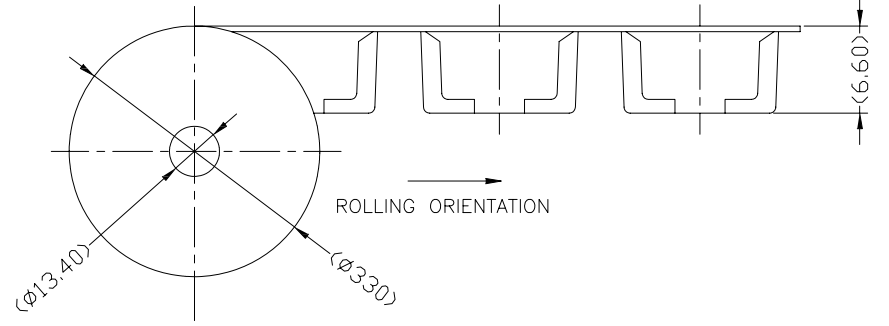
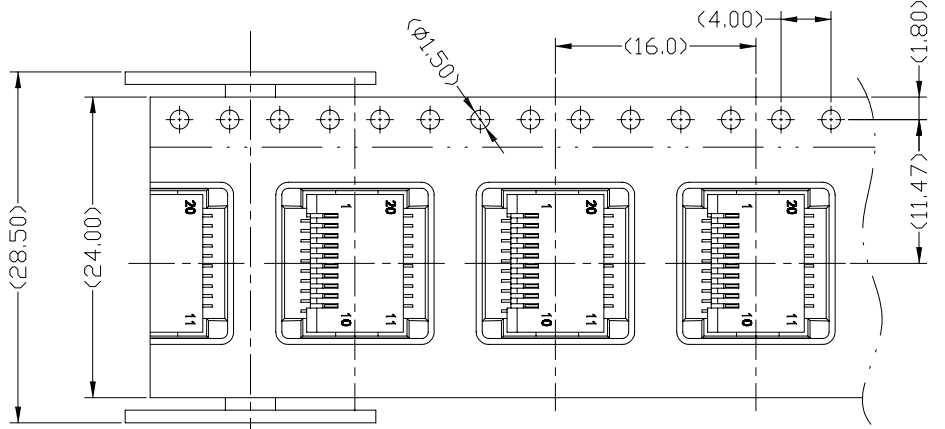
RoHS Compliant



FITTING SHOW

SELF-CLING MYLAR THICKNESS:0.06MM

PACKING QUANTITY: 500PCS PER REEL.



PACKING REQUIREMENT

GENERAL TOLERANCE		ANGLE TOLERANCE		PROJECTION		Description:	
X.	±0.60	X.	±5°	UNITS	mm	SFP 20Pin SMD Connector	
.X	±0.38	.X	±3°	SHEET SIZE	A4		
.XX	±0.25	.XX	±2°			P/N:	KLS12-SFP-004

Draw by: Date	2016-07-01
Check by: Date	2016-07-01
SCALE	SHEET OF

KLS ELECTRONIC CO., LTD.

Remark