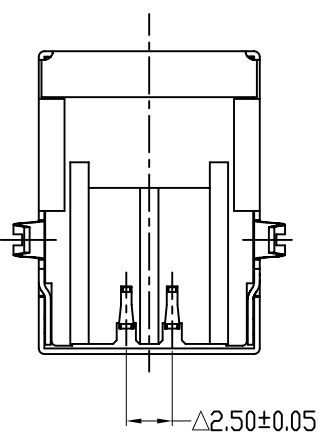
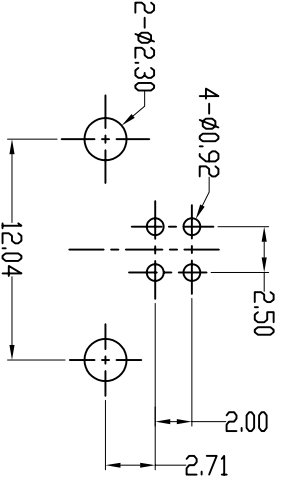
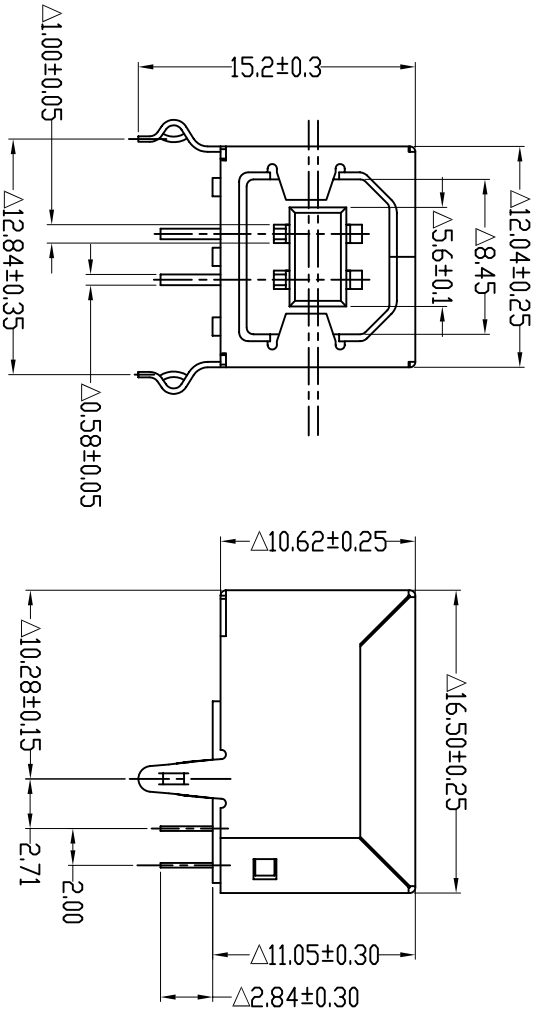


REV.	DESCRIPTION	DATE	DESIGNER	APPROVED
A/0	The last word	06/04/10	W.X.Y	



Specification

- 1.Voltage Current Rating:1AMP.30V AC
- 2.Insulation Resistance:1000MΩ Min
- 3.Contact Resistance:30mΩ Max
- 4.Dielectric Withstanding Voltage:500V AC
- 5.Temperature Range:-20°C to +60°C

NOTE:
Tolerances unless otherwise specified:
0-10:±0.15; 10-20:±0.20; 20-30:±0.25

PART NO EXPLAIN:
USB-B1D08F-□□4□

Shell Plate spec:
T=Plateg tin, N=Plateg nickel
Housing Color:
B=Black, N=Nature, W=White
Contact Plate spec:
(0=F,U', 1=3U', 2=6U', 3=15U', 4=30U')

CZT® DONGGUAN YIHUA ELECTRONIC CO., LTD

NO.	VARIETY	MATERIAL	QTY	REMARK
3	Shell	C2680	1	T=0.30 Plateg Tin/nickel
2	Housing	P.B.T	1	UL94V-0 Nature/Black/White
1	Contact	C2680	4	T=0.25 Plateg Gold

UNIT:	mm	DEV/SER:	W.X.Y	TITLE: USB B YPE(FEMALE) DIP90°	
3RD:		DESIGN:	W.X.Y	SHEET:	1
SCALE:	1:1	APPRD:		CHART NO:	1114-0008
REV:	A/0	EXAMINE:		PART NO:	USB-B1D08F-□□4□
				MATE NO:	