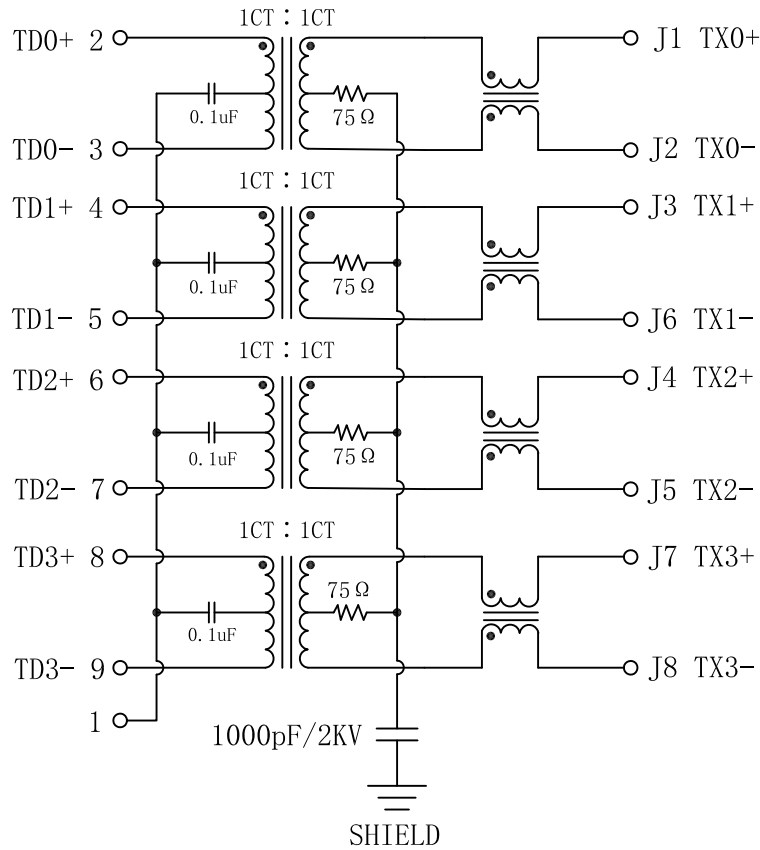


Schematic:

REV.	ECN NO.	DESCRIPTION	DATE	APPD
A	REL		2018/07/26	

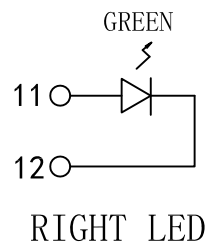
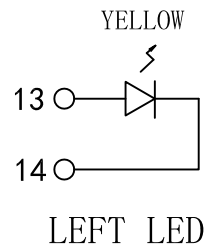
PC BOARD CONNECTIONS



RJ45 CONNECTOR

Electrical Specifications @25°C

- Turns Ratio:
Pri:Sec = 1CT:1CT ±5%
- OCL (@100KHz, 0.1V, 8mA DC Bias):
350uH MIN
- Insertion Loss:
1~100MHz:-1.0dB MAX
100~125MHz:-1.2dB MAX
- Return Loss:
1~40MHz:-16dB MIN
40~60MHz:-12dB MIN.
60~80MHz:-10dB MIN.
80~100MHz:-8dB MIN.
- Crosstalk:
1~100MHz:-30dB MIN.
- Common to Common Mode Attenuation:
1~100MHz:-30dB MIN
- Hipot Test: 1500Vrms MIN
- Operating Temperature: -40°C TO +85°C.

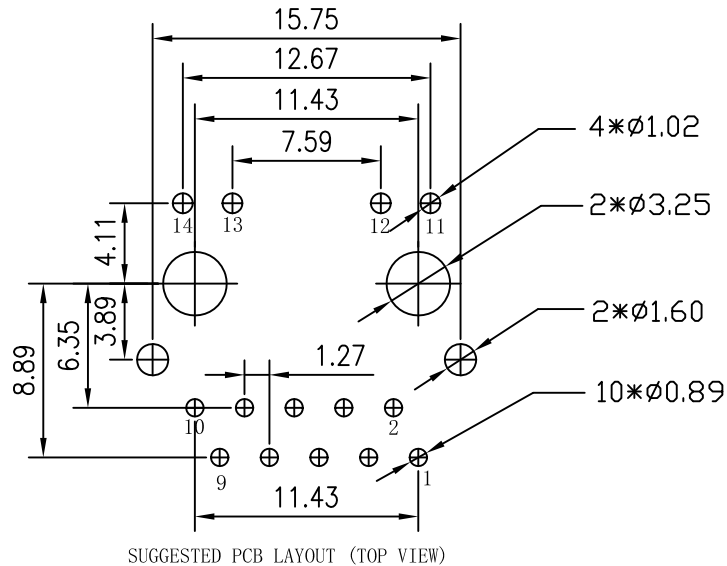
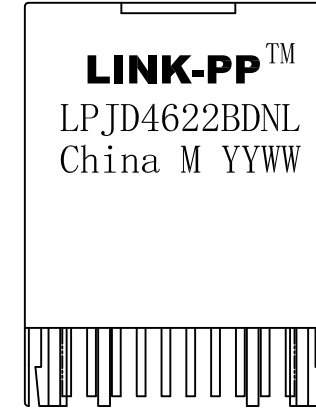
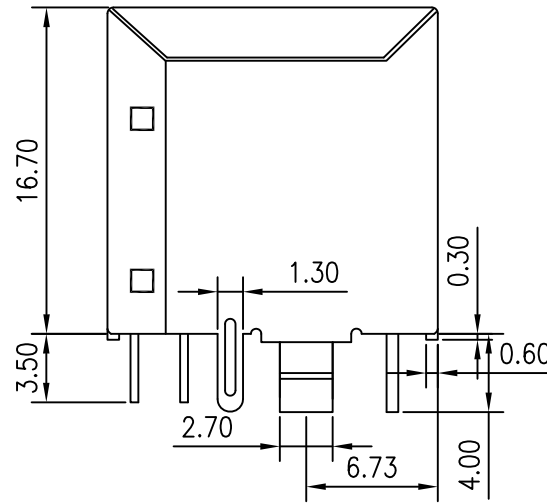
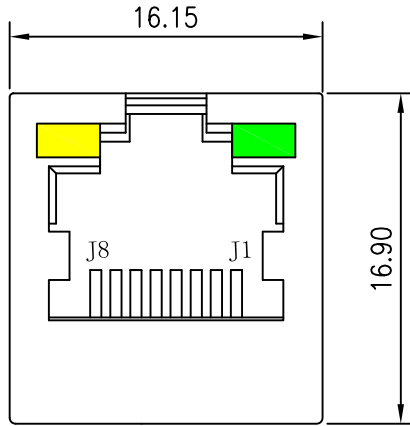


Emitting Color	λ p(nm)	VF@IF=20mA	IR @VR=5V
GREEN	565	1.8~2.6V	10 μ A max
YELLOW	585	1.8~2.6V	10 μ A max

X:X	±0.30	APPD:	LINK-PP INT'L TECHNOLOGY CO., LIMITED
X:XX	±0.25	CHKD:	
X:XXX	±0.05	DR: TOM	TITLE: Vertical RJ45 Connector With 1000 Magnetic
ANGLES	±1°	UNIT: mm	PART NO.: LPJD4622BDNL
	SCALE: 2/1	SHEET: 1/2	REV: A
			DWG NO.: LP18072601

Mechanical :

REV.	ECN NO.	DESCRIPTION	DATE	APPD
A	REL		2018/07/26	



NOTES :

1. Designed to support application, such as SOHO (ADSL modems), LAN-on-Motherboard (LOM), hub and Switches.
2. Meets IEEE 802.3 specification
3. Connector Materials:
 Housing Material: Thermoplastic PBT+30%G.F UL94V-0
 Contact Material: Phosphor Bronze C5210R-EH Thickness=0.35mm
 Pins: Brass C2680R-H Thickness=0.35mm
 Shield: Copper alloy Brass H65Y Thickness=0.2mm
 Contact plating: Gold 6 micro-inches min. In contact area.
4. Wave solder tip temperature: 265°C Max, 5 Sec.
5. UL Certification: File Number E484635.



X:X	±0.30	APPD:	LINK-PP INT'L TECHNOLOGY CO., LIMITED
X:XX	±0.25	CHKD:	
X:XXX	±0.05	DR: TOM	TITLE: Vertical RJ45 Connector With 1000 Magnetic
ANGLES	±1°	UNIT: mm	PART NO.: LPJD4622BDNL
	SCALE: 2/1	SHEET: 2/2	REV: A DWG NO.: LP18072601