

Data sheet

Commercial Art.No.: 92.051.5653.0

Flat cable adapter GST18I5I B1H F7V PB02

gegis® NRG flat cable adapter to GST18I5; Code 2 mains + not SELV; colour of coding: pastel blue; pre-selection of L1 or L2 or L3; 250 V; 20 A; pluggable output parallel to flat cable; piercing-contact screws with Torx-head; for gegis® NRG flatcable without shield 5G2,5+2x1,5 und 5G4+2x1,5.



Commercial Art.No.	92.051.5653.0
EAN	4049088400766
Order Unit	1

Certificates / Approvals



Technical data

Classification

ECLASS 11	
ECLASS 8.1	27440601
ETIM 7.0	EC002588
ETIM 6.0	EC002588
ETIM 5.0	EC002588
ETIM 4.0	EC002588

Product compliance

ROHS conformity status	Compliant/Exempted
ROHS exceptions	III-6(c)
REACH-SVHC conformity status	Duty-To-Declare
REACH-SVHC substances	Lead
REACH-SVHC CAS numbers	7439-92-1

Fits with

Commercial Art.No.:	Article-type description:	Description:
00.712.1323.1	Flat cable 5G2,5+2x1,5 PVC OSCHIRM	gegis® NRG BASIC+SIGNAL flat cable; mains 5G2.5; 20 A; 0.6/1 kV; bus 2X1.5; 6 A; 250 V; unshielded; PVC CPR class Eca; color: black.
00.770.1323.1	Flat cable 5G2,5+2x1,5LSOH OSCHIRM	gegis® NRG BASIC+SIGNAL flat cable; mains 5G2.5; 20 A; 0.6/1 kV; bus 2X1.5; 6 A; 250 V; unshielded; halogen free fire class: B2ca s1a d1 a1; color: black.

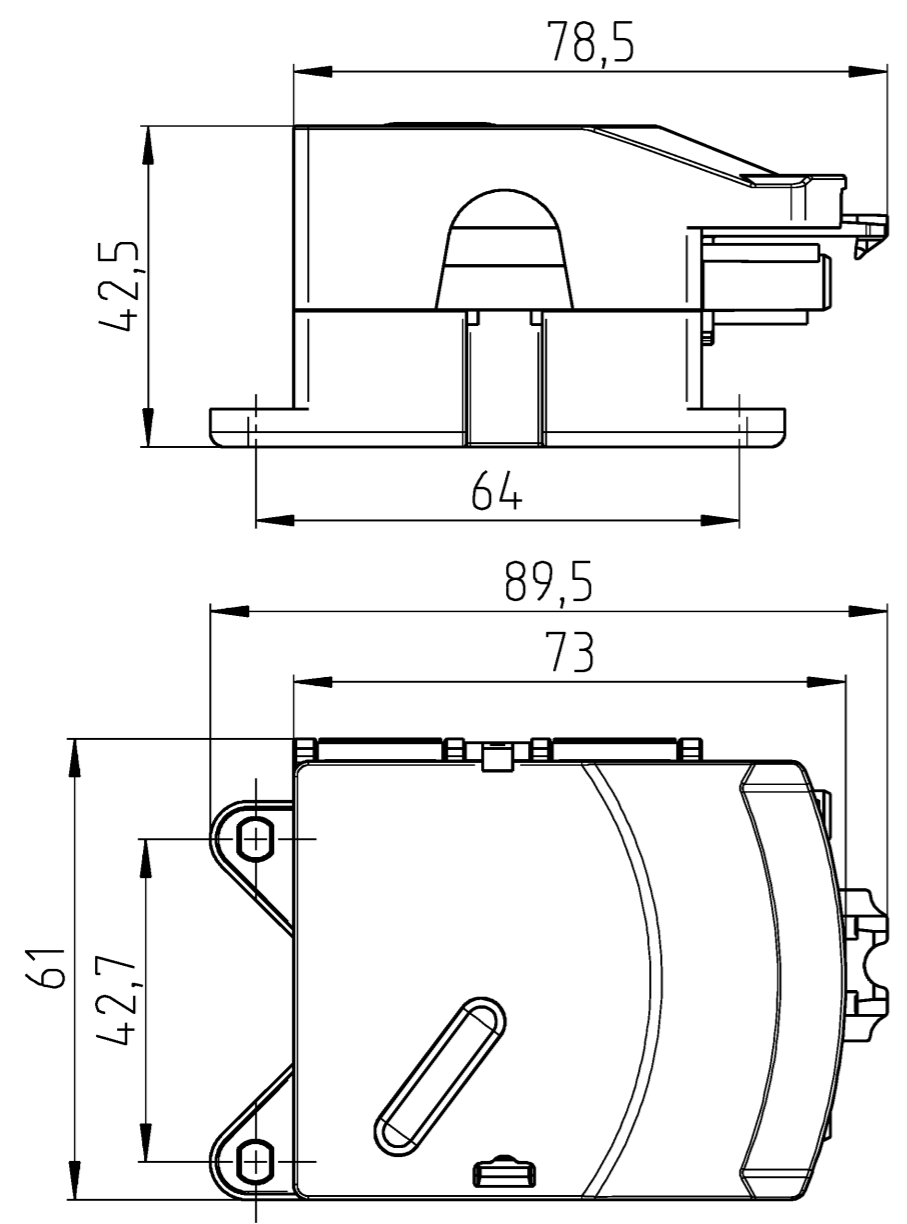
00.770.1324.1	Flat cable 5G4+2x1,5LSOH OSCHIRM	geis® NRG BASIC+SIGNAL flat cable; mains 5G4; 20 A; 0.6/1 kV; bus 2X1.5; 6 A; 250 V; unshielded; halogen free fire class: B2ca s1a d1 a1; color: black.
00.710.1323.1	Flat cable 5G2,5+2x1,5LSOH OSCHIRM	geis® NRG BASIC+SIGNAL flat cable; mains 5G2.5; 20 A; 0.6/1 kV; bus 2X1.5; 6 A; 250 V; unshielded; halogen free CPR class Eca; color: black.
00.710.1324.1	Flat cable 5G4+2x1,5LSOH OSCHIRM	geis® NRG BASIC+SIGNAL flat cable; mains 5G4; 20 A; 0.6/1 kV; bus 2X1.5; 6 A; 250 V; unshielded; halogen free CPR class Eca; color: black.

A
 Weitergabe sowie Vervielfältigung dieses Dokuments, Verwertung und Mitteilung seines Inhalts sind verboten, soweit nicht ausdrücklich gestattet. The reproduction, distribution and utilization of this document as well as the communication of its contents to others without express authorization is prohibited.

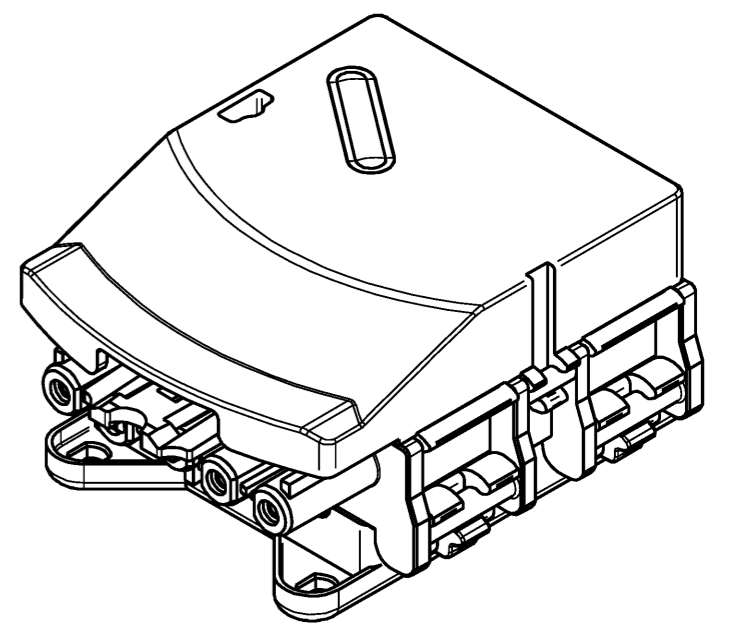
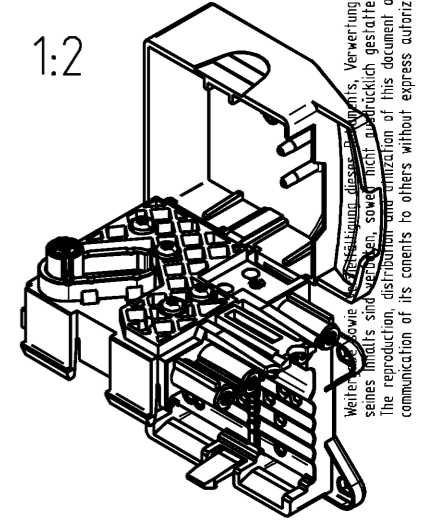
B
 These dimensions will be especially checked at delivery
 Only inspection dimensions
 With /E marked dimensions are only valid for internal use

C
 Diese Maße werden bei Abnahme besonders geprüft
 Ausschließlich Prüfmaße
 Mit /E gekennzeichnete Maße sind nur für interne Zwecke gültig

F



6
 Auslieferungszustand
 Delivery status



Weitergabe sowie Vervielfältigung dieses Dokuments, Verwertung und Mitteilung seines Inhalts sind verboten, soweit nicht ausdrücklich gestattet. The reproduction, distribution and utilization of this document as well as the communication of its contents to others without express authorization is prohibited.

Tolerierung Size ISO 14405 ☺ / Tolerance system Size ISO 14405 ☺. (This ISO-standard describes the envelope principle. According to the envelope principle the deviations of form and parallelism are limited by the size tolerances).		ja/yes ☑ Stoffverbots- und Deklarationsliste nach WN 5020.010 ist einzuhalten. Conformity with Wieland document WN 5020.010 e (list of prohibited / declarable hazardous substances) to be declared!	
Freitoleranz nach General tolerance		CAD - Zeichnung, keine manuellen Änderungen CAD - drawing, no manual modifications allowed	1. Verwendung: First Use:
Blatt: Sheet: 1 von 1 of 1		Zeichnung Nr. / Drawing No.	
Werkstoff / Material		Tag/Date	Name
Maßstab / Scale		gezeichnet drawn	17.02.2017 Horst
1:1		geprüft checked	
Vol. mm ³ Dfl./Srf. mm ²		Normgepr. Stand. check	
Ersatz für / Replacement for:		Maße in mm / Dimensions are in mm	
Type		Benennung/Title	
www.wieland-electric.com		BUCHSENTEIL Kombiabgriff 7-polig PB	
Index	Datum / Blatt Date / Sheet		
Änderung / Revision			