

color: black
pitch: 7,62 mm
certification: CE

1. Material:

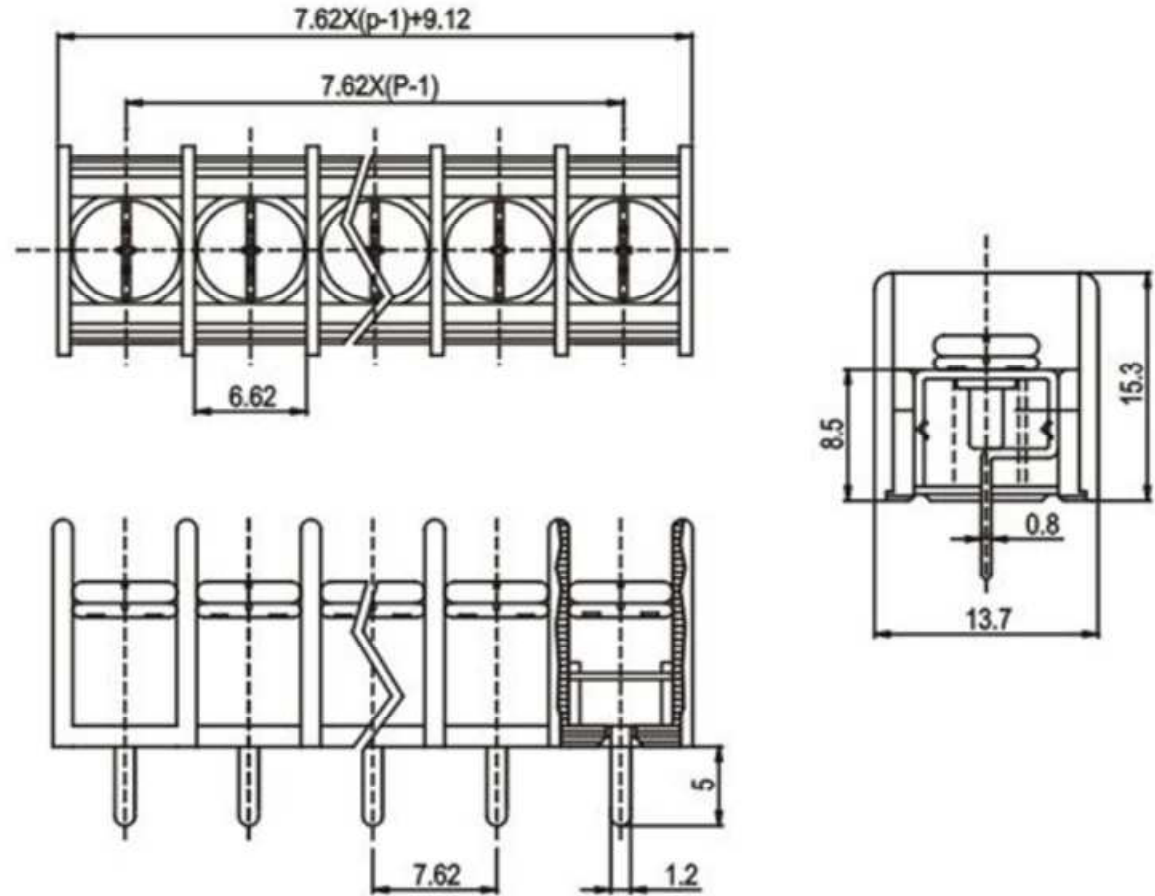
- Terminal Brass 0.7t, Tin-Plated
- Housing : PA66, UL94V-0
- Screw: Steel, M3 Ni-Plated

2. Electrical:

- Rated voltage : 300V
- Rated current : 20A
- Insulation resistance: 500MΩ/DC500V
- Withstanding voltage: AC2000V/1Min

3. Mechanical:

- Temp. range: -40°C...+105°C
- Wire range: 22 – 14 AWG
- Max. Torque value: 8kg/c



HOW TO ORDER

