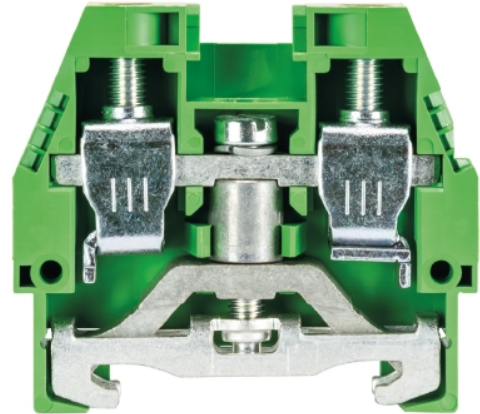


Data sheet

Commercial Art.No.: 56.516.9255.0

Earth terminal WKI 16 SL / 35/V0

Ground terminal with Screw connection for mounting on TS 35, nominal cross section: 16 mm², width: 12 mm, color: Green-yellow



Commercial Art.No.	56.516.9255.0
EAN	4015573571068
Order Unit	50

Certificates / Approvals



Technical data

General

Nominal cross section	16 mm ²
Color	Green/yellow
Number of levels	1
Number of clamp positions per level	2
Width/grid dimension	12 mm
Insulating housing	PA666
Inflammability class of insulation material acc. with UL94	V0
Mounting method	DIN rail (top hat rail) 35/7.5 mm
Terminal blocks for electrical installations	yes

Technical data

Rated voltage	400 V
Rated impulse voltage	6 kV
Pollution degree	3
Closing plate required	yes
Type of insulation material	Thermoplastic
Length	58 mm

Connection Data

Connection type 1	screw connection
Connection type 2	screw connection
Minimum cross section solid	1.5 mm ²
Maximum cross section solid	10 mm ²

Minimum cross section fine stranded	1 mm ²
Maximum cross section fine stranded	16 mm ²
Minimum cross section stranded	16 mm ²
Maximum cross section stranded	25 mm ²
Wire strip length	16 mm
Torque conductor mounting	2.5 Nm
Torque rail mounting	2

Technical Data UL/CSA

Cross section UL	12-4 AWG
Voltage UL	600 V
Cross section CSA	14-4 AWG
Voltage CSA	600 V

Classification

ECLASS 11	
ECLASS 8.1	27141141
ETIM 7.0	EC000901
ETIM 6.0	EC000901
ETIM 5.0	EC000901
ETIM 4.0	EC000901
ETIM 3.0	EC000901

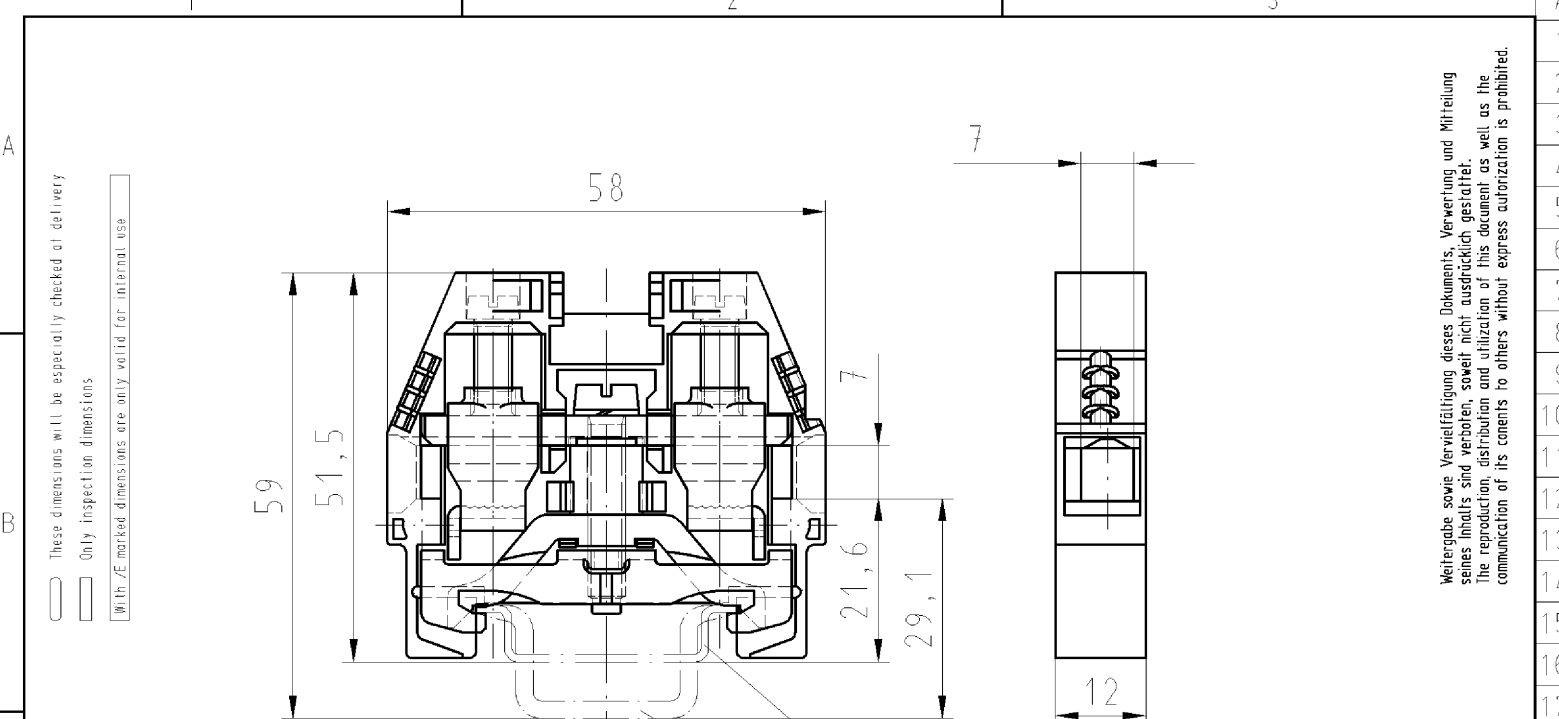
Product compliance

ROHS conformity status	Compliant/Exempted
ROHS exceptions	III-6(c)
REACH-SVHC conformity status	Duty-To-Declare
REACH-SVHC substances	Lead
REACH-SVHC CAS numbers	7439-92-1

Accessories

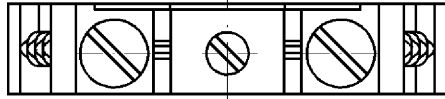
Commercial Art.No.:	Article-type description:	Description:
98.300.0000.0	Mounting rail TS 35x7,5 UNPERF - l:2000mm	Mounting rail TS 35, unslotted, size 7,5 mm, length 2 m, material steel. galv. zinc-plated and dichromated
98.300.1000.0	Mounting rail TS 35x7,5 PERF 15mm - l:2000mm	Mounting rail TS 35, slotted, size 7,5 mm, length 2 m, material steel. galv. zinc-plated and dichromated
98.300.1900.0	Mounting rail TS 35x7,5 PERF 25mm - l:2000mm	Mounting rail TS 35, slotted, size 7,5 mm, length 2 m, material steel. galv. zinc-plated and dichromated
98.360.0000.0	Mounting rail TS 35x15-2,3 UNPERF - l:2000mm	Mounting rail TS 35, unslotted, size 15 mm, length 2 m, material steel. galv. zinc-plated and dichromated
98.360.0004.0	Mounting rail TS 35x15-2,3 UNPERF FZN - l:2000mm	Mounting rail TS 35, unslotted, size 15 mm, length 2 m, material steel, hot galvanized
98.370.0000.0	Mounting rail TS 35x15 UNPERF - l:2000mm	Mounting rail TS 35, unslotted, size 15 mm, length 2 m, material steel. galv. zinc-plated and dichromated
98.370.1000.0	Mounting rail TS 35x15 PERF 15mm - l:2000mm	Mounting rail TS 35, slotted, size 15 mm, length 2 m, material steel. galv. zinc-plated and dichromated
98.380.0000.0	Mounting rail TS 35x15-2,3 UNPERF CU - l:2000mm	Mounting rail TS 35, unslotted, size 15 mm, length 2 m, material E copper
07.311.9555.0	End plate API 10 - 16 SL/V0	End plate for DIN rail terminal blocks type WKI 10 SL... und WKI 16 SL..., color: grey

98.300.1800.0	Mounting rail TS 35x7,5 PERF 18mm - l:2000mm	Mounting rail TS 35, slotted, size 7,5 mm, length 2 m, material steel. galv. zinc-plated and dichromated
---------------	--	--



Hutschiene EN 60715-35x7,5
mounting rail EN 60715-35x7,5

Hutschiene EN 60715-35x15
mounting rail EN 60715-35x15



Weitere Daten siehe Katalog
further data see catalog

* special package

Teilenummer part number	Typ type	Farbe colour
56.516.9255.0	WKI 16 SL/35/V0	grün
* 56.516.9295.0	WKI 16 SL/35/V0	grün

Tolerierung nach DIN 7167/Tolerance system acc. to DIN 7167.
(This DIN-standard describes the envelope principle. According to the envelope principle the deviations of form and parallelism are limited by the size tolerances).

ja/yes Stoffverbots- und Deklarationsliste nach UU-TQM-05/03 ist einzuhalten.
Conformity with Wieland document UU-TQM-05/03 (list of prohibited / declarable hazardous substances) to be declared!

Freitoleranz nach
General tolerance

CAD - Zeichnung, keine manuellen Änderungen
CAD - drawing, no manual modifications allowed

1. Verwendung: -
First Use:

Blatt: 1 von 1
Sheet: 1 of 1

/			Werkstoff/Material		2006	Tag/Date	Name	Zeichnung Nr./Drawing No.		Index	
/					gezeichnet drawn	17.08.	Schmitt J.	56.516.9255.0 01K			
/		Maßstab/Scale 1:1			geprüft checked	-	-				
/					Normgepr. Stand. check	-	-				
/		Vol.	mm ³	Offl./Surf.	mm ²	Ersatz für/Replacement for: -					
/				Type		Benennung/Tittle					
/				Elektrische Verbindungen		WKI 16 SL/35/V0		SCHUTZLEITERKLEMME 16mm ² Ground block for TS 35			
Index	Datum / Blatt Date / Sheet										
Änderung/Revision											

Weitergabe sowie Vervielfältigung dieses Dokuments, Verwertung und Mitteilung seines Inhalts sind verboten, soweit nicht ausdrücklich gestattet. Die Reproduktion, Distribution und Utilization of this document as well as the communication of its contents to others without express authorization is prohibited.

565169255001K_4 CADW104Z Schmitt 2006-08-17 10:08:22:59 1.000