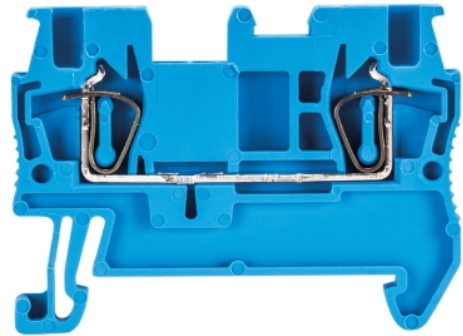


Data sheet

Commercial Art.No.: 56.702.0053.6

Feed-through terminal WKF 1,5/35 BLAU

Feed-through terminal with tension spring connection for mounting on TS35, nominal cross section: 1.5 mm², width: 4.15 mm, color: blue



Commercial Art.No.	56.702.0053.6
EAN	4015573731769
Order Unit	50

Certificates / Approvals



ATEX

Technical data

General

Nominal cross section	1.5 mm ²
Color	Blue
Number of levels	1
Number of clamp positions per level	2
Width/grid dimension	4.15 mm
Insulating housing	PA666
Inflammability class of insulation material acc. with UL94	V0
Explosion-tested version "Ex e"	yes
Mounting method	DIN rail (top hat rail) 35/7.5 mm
Terminal blocks for electrical installations	yes

Technical data

Rated current	17.5 A
Rated voltage	500 V
Rated impulse voltage	6 kV
Pollution degree	3
Closing plate required	yes
Type of insulation material	Thermoplastic
Length	48.6 mm

Connection Data

Connection type 1	spring clamp connection
Connection type 2	spring clamp connection
Minimum cross section solid	0.08 mm ²
Maximum cross section solid	1.5 mm ²

Minimum cross section fine stranded	0.08 mm ²
Maximum cross section fine stranded	1.5 mm ²
Wire strip length	10 mm

Technical Data UL/CSA

Cross section UL	26-14 AWG
Voltage UL	300 V
Current factory wiring	15 A
Current field wiring	15 A
Cross section CSA	26-14 AWG
Voltage CSA	300 V
Current CSA	15 A

Classification

ECLASS 11	
ECLASS 8.1	27141120
ETIM 7.0	EC000897
ETIM 6.0	EC000897
ETIM 5.0	EC000897
ETIM 4.0	EC000897
ETIM 3.0	EC000897

Product compliance

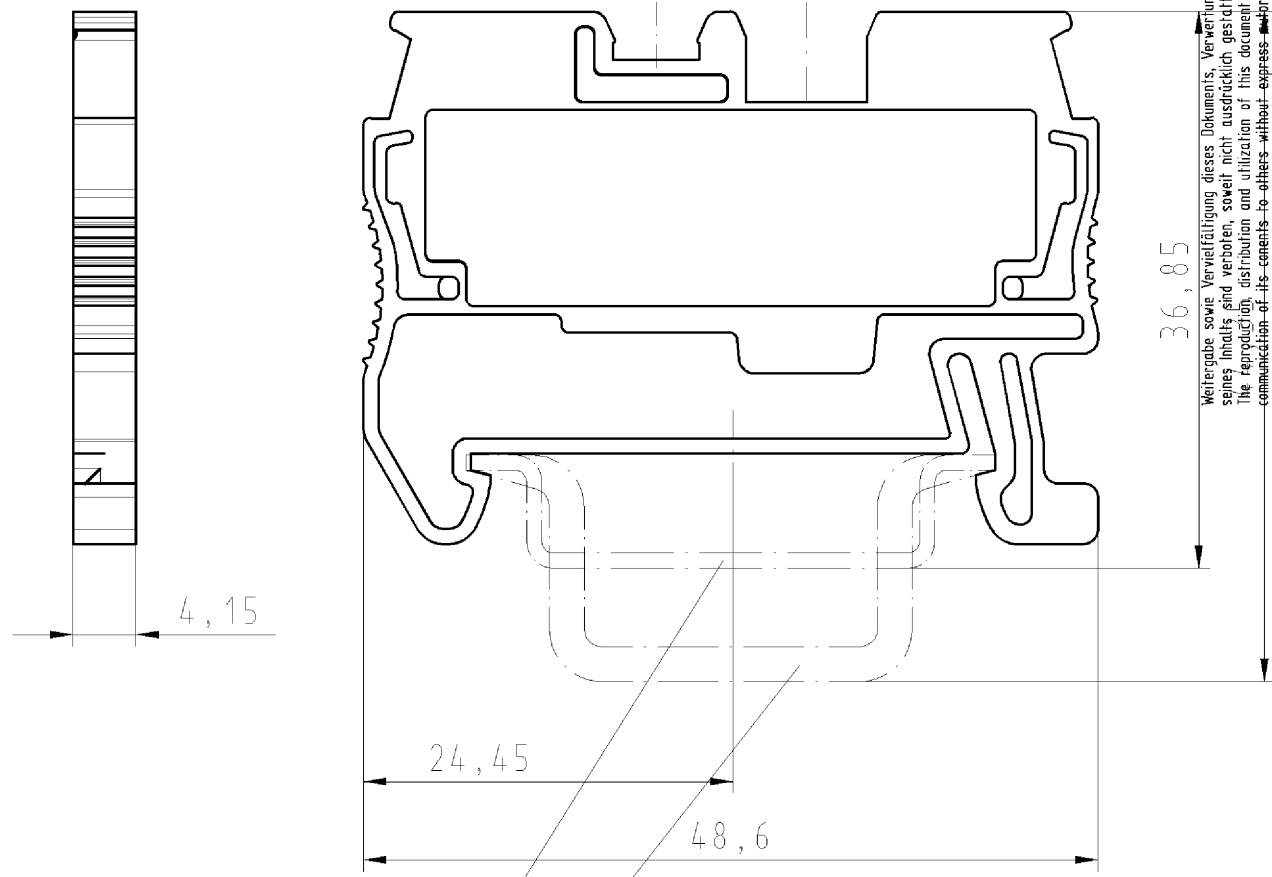
ROHS conformity status	Compliant
REACH-SVHC conformity status	Compliant

Accessories

Commercial Art.No.:	Article-type description:	Description:
Z7.268.0227.0	Jumper bar IVB WKF 1,5- 2	Cross connector, insulated for DIN rail terminal blocks type WKF..., 2 - pole
Z7.268.0327.0	Jumper bar IVB WKF 1,5- 3	Cross connector, insulated for DIN rail terminal blocks type WKF..., 3 - pole
Z7.268.0427.0	Jumper bar IVB WKF 1,5- 4	Cross connector, insulated for DIN rail terminal blocks type WKF..., 4 - pole
Z7.268.0527.0	Jumper bar IVB WKF 1,5- 5	Cross connector, insulated for DIN rail terminal blocks type WKF..., 5 - pole
Z7.268.1027.0	Jumper bar IVB WKF 1,5- 10	Cross connector, insulated for DIN rail terminal blocks type WKF..., 10- pole
Z7.268.2027.0	Jumper bar IVB WKF 1,5- 20	Cross connector, insulated for DIN rail terminal blocks type WKF..., 20- pole
98.300.0000.0	Mounting rail TS 35x7,5 UNPERF - l:2000mm	Mounting rail TS 35, unslotted, size 7,5 mm, length 2 m, material steel. galv. zinc-plated and dichromated
98.300.1000.0	Mounting rail TS 35x7,5 PERF 15mm - l:2000mm	Mounting rail TS 35, slotted, size 7,5 mm, length 2 m, material steel. galv. zinc-plated and dichromated
98.300.1900.0	Mounting rail TS 35x7,5 PERF 25mm - l:2000mm	Mounting rail TS 35, slotted, size 7,5 mm, length 2 m, material steel. galv. zinc-plated and dichromated
98.360.0000.0	Mounting rail TS 35x15-2,3 UNPERF - l:2000mm	Mounting rail TS 35, unslotted, size 15 mm, length 2 m, material steel. galv. zinc-plated and dichromated
98.360.0004.0	Mounting rail TS 35x15-2,3 UNPERF FZN - l:2000mm	Mounting rail TS 35, unslotted, size 15 mm, length 2 m, material steel, hot galvanized

98.370.0000.0	Mounting rail TS 35x15 UNPERF - l:2000mm	Mounting rail TS 35, unslotted, size 15 mm, length 2 m, material steel. galv. zinc-plated and dichromated
98.370.1000.0	Mounting rail TS 35x15 PERF 15mm - l:2000mm	Mounting rail TS 35, slotted, size 15 mm, length 2 m, material steel. galv. zinc-plated and dichromated
98.380.0000.0	Mounting rail TS 35x15-2,3 UNPERF CU - l:2000mm	Mounting rail TS 35, unslotted, size 15 mm, length 2 m, material E copper
07.312.8153.0	End plate APF 1,5	End plate for DIN rail terminal blocks type WKF 1,5..., color: grey
07.312.8253.0	Partition TWF 1,5	Partition for DIN rail terminal blocks type WKF 1,5..., color: grey
Z4.243.2053.0	Marking tag plate BZ/WKF 1,5/10	plate with marking tags for DIN rail terminal blocks type WKF 1,5, unmarked, markable with Wieprint printing-system
04.243.2053.0	Marking tag strips BZ/WKF 1,5	Marking tag strips for DIN rail terminal blocks type WKF 1,5, 10 tags per strip, color: blue, unmarked, markable with Wieplot plotter-system
98.300.1800.0	Mounting rail TS 35x7,5 PERF 18mm - l:2000mm	Mounting rail TS 35, slotted, size 7,5 mm, length 2 m, material steel. galv. zinc-plated and dichromated

○ Diese Maße werden bei Abnahme besonders geprüft
 Ausschnittlich Prüfmaße
 ○ Mit Z/E gekennzeichnete Maße sind nur für interne Zwecke gültig




Hutschiene EN 60715-35x7,5
 mounting rail EN 60715-35x7,5

Hutschiene EN 60715-35x15
 mounting rail EN 60715-35x15

Weitere Daten siehe Katalog
 further data see catalog

Teile-Nr./part-nr.	Typ/type	Farbe/colour
56.702.0053.0	WKf 1,5/35	kieselgrau/grey
56.702.0053.6	WKf 1,5/35 blau	lichtblau /lightblue

Freitoleranz nach DIN		CAD - Zeichnung, keine manuellen Änderungen			1. Verwendung: -		Bl.: 1 von 1	
	/	Maßstab 2:1	2004	Tag	Name	T	Zeichnung Nr. 56.702.0053.0 01K	Index
	/		Entworfen	26.01.	Schmitt J.			
	/		Geprüft	-	-			
	/		Normgepr.	-	-	Ersatz für: -		
Buchstabe	Datum / Blatt	 wieland Elektrische Verbindungen		Benennung DURCHGANGSKLEMME Federkraftanschluß Modular terminal with spring clamp				
Änderung								

Weitergabe sowie Vervielfältigung dieses Dokuments, Verwertung und Mitteilung seines Inhalts sind verboten, soweit nicht ausdrücklich gestattet. Die Reproduktion, distribution and utilization of this document as well as the communication of its contents to others without express authorization is prohibited.