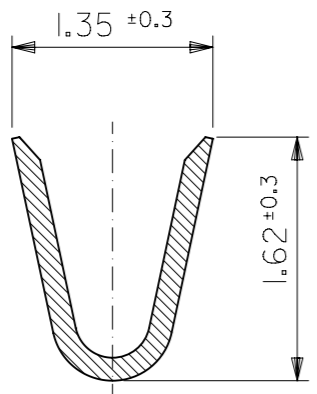
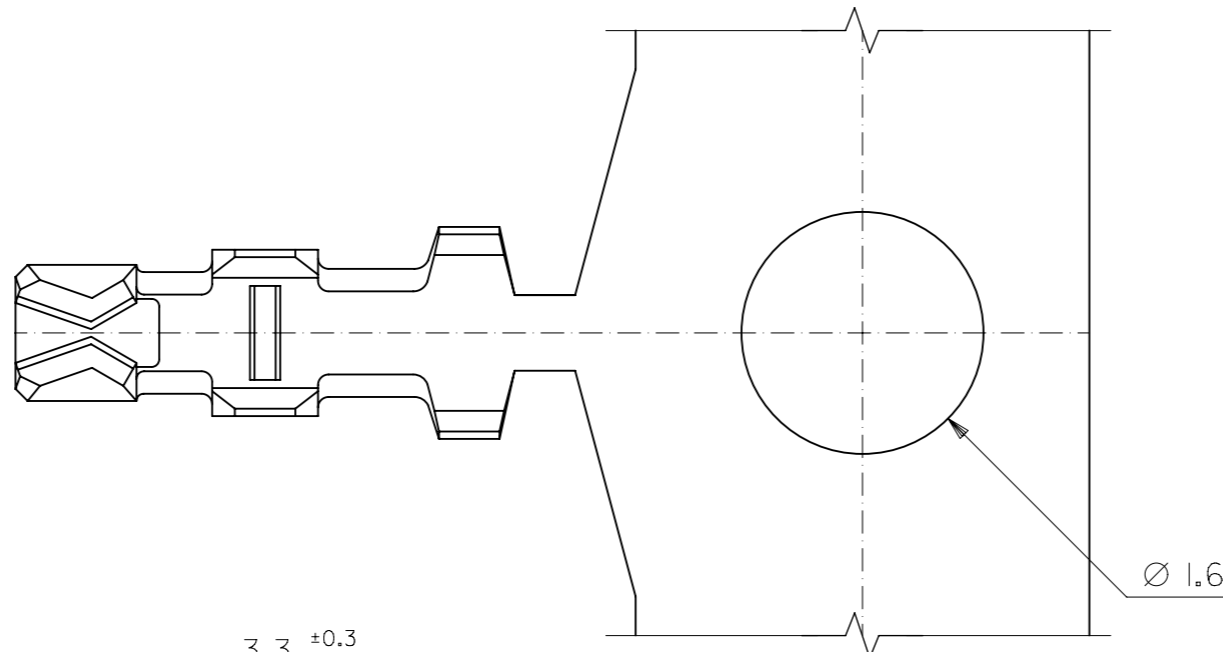


SECT. A-A

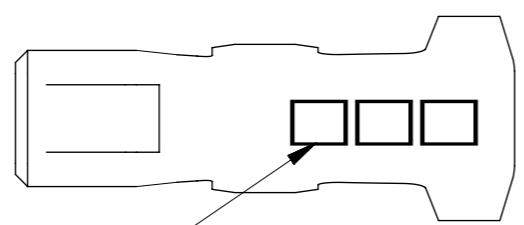
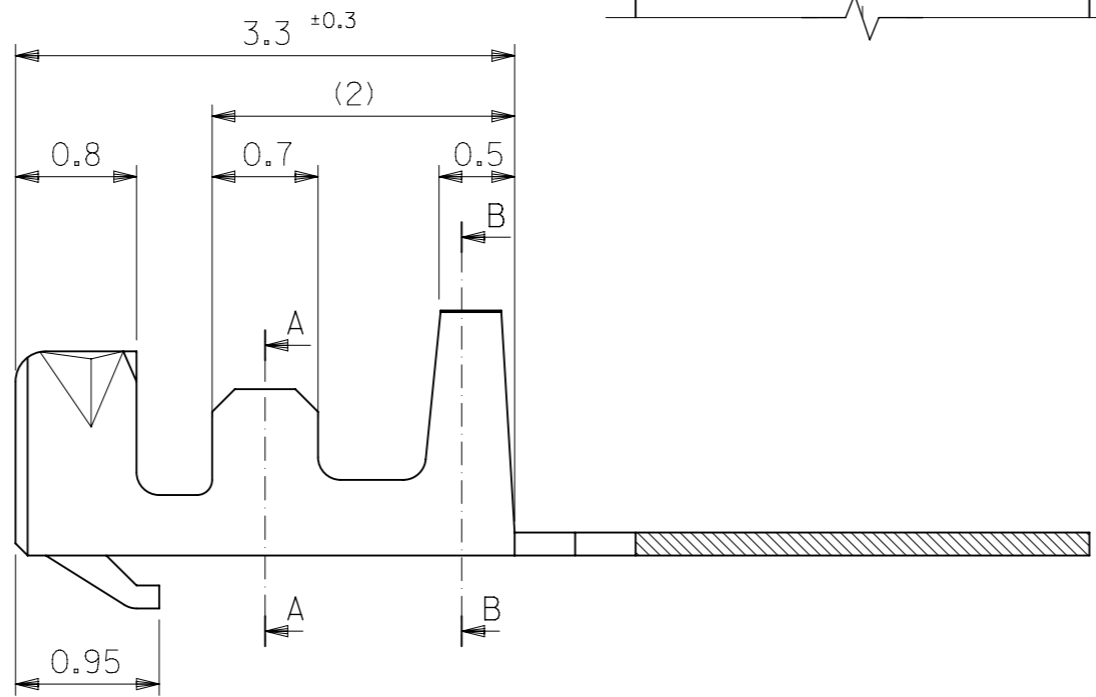
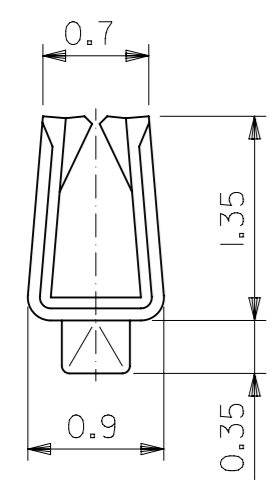


SECT. B-B



**NOTE**

- 適合ハウジング : 51021-\*\*\*\*  
APPLICABLE HOUSING: 51021-\*\*\*\*
- めっき仕様 : 下記表参照  
PLATING: SEE CHART
- 圧着条件については500580000-CSを参照。  
PLEASE REFER TO CRIMP SPECIFICATION 500580000-CS.



トレードマーク  
TRADE MARK

PRE-PLATED	LOOSE	50079-8100
REFLOW TREATED MATTE TIN: 0.9µm MIN.	CHAIN	50079-8000
PLATING	FORM	ORDER NO.

適用電線範囲 WIRE RANGE AWG:#26-#28		被覆外径 INSULATION RANGE Ø1.04MAX.		THIS DRAWING CONTAINS INFORMATION THAT IS PROPRIETARY TO MOLEX ELECTRONIC TECHNOLOGIES, LLC AND SHOULD NOT BE USED WITHOUT WRITTEN PERMISSION	
材料 MATERIAL りん青銅 PHOSPHOR BRONZE (t=0.15)		DIMENSION UNITS mm		SCALE 20:1	
GENERAL TOLERANCES (UNLESS SPECIFIED)		ANGULAR TOL ± 3.0°		CURRENT REV DESC:	
4 PLACES ± 0.2		3 PLACES ± 0.2		EC NO: 170638	
3 PLACES ± 0.2		2 PLACES ± 0.2		DRWN: SOBARA01 2018/01/09	
2 PLACES ± 0.2		1 PLACE ± 0.2		CHK'D: AIDA 2018/01/18	
1 PLACE ± 0.2		0 PLACES ± 0.2		APPR: TKANEKO 2018/01/18	
DRAFT WHERE APPLICABLE MUST REMAIN WITHIN DIMENSIONS		THIRD ANGLE PROJECTION		INITIAL REVISION:	
				DRWN: ESUZUKI 2004/11/30	
				APPR: NUKITA 2004/12/06	
DOCUMENT STATUS		P1		RELEASE DATE	
2018/01/18		09:46:09			
DOCUMENT NUMBER		SD-50079-001		DOC TYPE	
SEE CHART		GENERAL		PSD	
SERIES		50079		DOC PART	
A3-SIZE		1 OF 1		REVISION	
MATERIAL NUMBER		CUSTOMER		J	
SEE CHART		GENERAL			

10 9 8 7 6 5 4 3 2 1

F

F

E

E

D

D

C

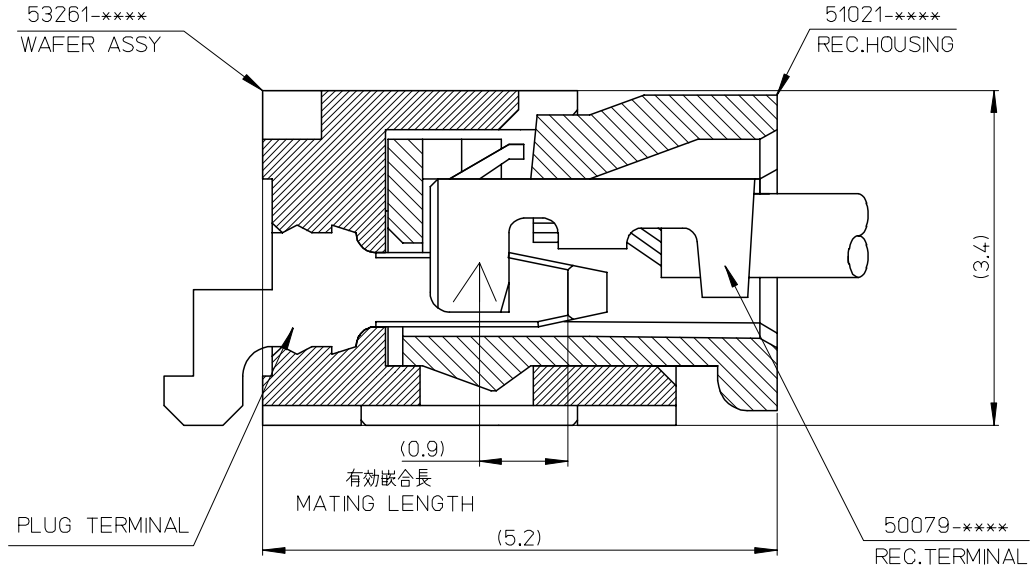
C

B

B

A

A



53261-****	WAFER ASSY	MODEL NO./MATERIAL NO.
50079-****	TERMINAL	
51021-****	HOUSING	

RELEASED EC NO: J2006-2426 DRWN: A0YAGI 2006/02/02 CHKD: YMAEDA 2006/02/03 APPR: NUKITA 2006/02/07	GENERAL TOLERANCES (UNLESS SPECIFIED)		DIMENSION STYLE MM ONLY		SCALE ---	DESIGN UNITS METRIC	THIRD ANGLE PROJECTION		
	10 UNDER	± ---	DRAWN BY Y. A0YAGI	DATE 2006/01/30	TITLE 1.25 W-TO-B CONN. 51021,53261 MATING CROSS SECTION				
	10 OVER 30 UNDER	± ---	CHECKED BY Y. MAEDA	DATE 2006/01/30	MOLEX INCORPORATED				
	30 OVER	± ---	APPROVED BY N. UKITA	DATE 2006/01/30	MATERIAL NO. SEE CHART		DOCUMENT NO. SD-51021-002	SHEET NO. 1 OF 1	
	ANGULAR ± --- °		DRAFT WHERE APPLICABLE MUST REMAIN WITHIN DIMENSIONS		THIS DRAWING CONTAINS INFORMATION THAT IS PROPRIETARY TO MOLEX INCORPORATED AND SHOULD NOT BE USED WITHOUT WRITTEN PERMISSION				

9

8

7

6

5

4

3

2