



### FEATURES:

- Low Profile DIP14 case
- 1.5 and 3K VDC I/O Isolation
- Continuous Short circuit protection
- Operating Temperature: -40°C to +105°C
- High Power Density
- Low Isolation Capacitance



### Models Single output

| Model            | Input Voltage (V) | Max Input Current Full/No Load (mA) | Output Voltage (V) | Full load Output Max Current (mA) | Isolation (VDC) | Maximum Capacitive Load (µF) | Efficiency (%) |
|------------------|-------------------|-------------------------------------|--------------------|-----------------------------------|-----------------|------------------------------|----------------|
| AM1M-0505S-NZ    | 4.5-5.5           | 250/25                              | 5                  | 200                               | 1500            | 220                          | 74             |
| AM1M-1205S-NZ    | 10.8-13.2         | 115/15                              | 5                  | 200                               | 1500            | 220                          | 73             |
| AM1M-0303SH30-NZ | 2.97-3.63         | 420/30                              | 3.3                | 303                               | 3000            | 220                          | 72             |
| AM1M-0503SH30-NZ | 4.5-5.5           | 256/20                              | 3.3                | 303                               | 3000            | 220                          | 75             |
| AM1M-0505SH30-NZ | 4.5-5.5           | 256/20                              | 5                  | 200                               | 3000            | 220                          | 80             |
| AM1M-0512SH30-NZ | 4.5-5.5           | 256/20                              | 12                 | 83                                | 3000            | 220                          | 80             |
| AM1M-0515SH30-NZ | 4.5-5.5           | 256/20                              | 15                 | 67                                | 3000            | 220                          | 81             |
| AM1M-1205SH30-NZ | 10.8-13.2         | 106/15                              | 5                  | 200                               | 3000            | 220                          | 80             |
| AM1M-1212SH30-NZ | 10.8-13.2         | 106/15                              | 12                 | 83                                | 3000            | 220                          | 80             |
| AM1M-1215SH30-NZ | 10.8-13.2         | 106/15                              | 15                 | 67                                | 3000            | 220                          | 81             |
| AM1M-1515SH30-NZ | 13.5-16.5         | 84/10                               | 15                 | 67                                | 3000            | 220                          | 80             |
| AM1M-2405SH30-NZ | 21.6-26.4         | 54/7                                | 5                  | 200                               | 3000            | 220                          | 79             |

### Models Dual output

| Model            | Input Voltage (V) | Max Input Current Full/No Load (mA) | Output Voltage (V) | Full load Output Max Current (mA) | Isolation (VDC) | Maximum Capacitive Load (µF) | Efficiency (%) |
|------------------|-------------------|-------------------------------------|--------------------|-----------------------------------|-----------------|------------------------------|----------------|
| AM1M-0505D-NZ    | 4.5-5.5           | 256/25                              | ±5                 | ±100                              | 1500            | 100                          | 80             |
| AM1M-0509D-NZ    | 4.5-5.5           | 256/25                              | ±9                 | ±56                               | 1500            | 100                          | 80             |
| AM1M-0512D-NZ    | 4.5-5.5           | 256/25                              | ±12                | ±42                               | 1500            | 100                          | 80             |
| AM1M-0515D-NZ    | 4.5-5.5           | 256/25                              | ±15                | ±34                               | 1500            | 100                          | 81             |
| AM1M-0524D-NZ    | 4.5-5.5           | 256/25                              | ±24                | ±21                               | 1500            | 100                          | 80             |
| AM1M-1205D-NZ    | 10.8-13.2         | 106/15                              | ±5                 | ±100                              | 1500            | 100                          | 80             |
| AM1M-1212D-NZ    | 10.8-13.2         | 106/15                              | ±12                | ±42                               | 1500            | 100                          | 80             |
| AM1M-1224D-NZ    | 10.8-13.2         | 106/15                              | ±24                | ±21                               | 1500            | 100                          | 81             |
| AM1M-1524D-NZ    | 13.5-16.5         | 82/12                               | ±24                | ±21                               | 1500            | 100                          | 81             |
| AM1M-2409D-NZ    | 21.6-26.4         | 54/7                                | ±9                 | ±56                               | 1500            | 100                          | 80             |
| AM1M-2412D-NZ    | 21.6-26.4         | 54/7                                | ±12                | ±42                               | 1500            | 100                          | 80             |
| AM1M-2415D-NZ    | 21.6-26.4         | 54/7                                | ±15                | ±34                               | 1500            | 100                          | 80             |
| AM1M-0505DH30-NZ | 4.5-5.5           | 256/20                              | ±5                 | ±100                              | 3000            | 100                          | 79             |
| AM1M-0512DH30-NZ | 4.5-5.5           | 256/20                              | ±12                | ±42                               | 3000            | 100                          | 80             |
| AM1M-0515DH30-NZ | 4.5-5.5           | 256/20                              | ±15                | ±34                               | 3000            | 100                          | 81             |
| AM1M-1205DH30-NZ | 10.8-13.2         | 106/15                              | ±5                 | ±100                              | 3000            | 100                          | 80             |
| AM1M-2412DH30-NZ | 21.6-26.4         | 54/7                                | ±12                | ±42                               | 3000            | 100                          | 81             |
| AM1M-2415DH30-NZ | 21.6-26.4         | 54/7                                | ±15                | ±34                               | 3000            | 100                          | 80             |

NOTE: All specifications in this datasheet are measured at an ambient temperature of 25°C, humidity<75%, nominal input voltage and at rated output load unless otherwise specified.

## Input Specifications

| Parameters                         | Nominal   | Typical   | Maximum   | Units  |
|------------------------------------|-----------|-----------|-----------|--------|
| Voltage range                      | 3.3       | 2.97-3.63 |           | VDC    |
|                                    | 5         | 4.5-5.5   |           |        |
|                                    | 12        | 10.8-13.2 |           |        |
|                                    | 15        | 13.5-16.5 |           |        |
|                                    | 24        | 21.6-26.4 |           |        |
| Absolute Max Input Voltage (100ms) | 3.3V      |           | -0.7 - 5  | VDC    |
|                                    | 5V        |           | -0.7 - 9  |        |
|                                    | 12V       |           | -0.7 - 18 |        |
|                                    | 15V       |           | -0.7 - 21 |        |
|                                    | 24V       |           | -0.7 - 30 |        |
| Filter                             | Capacitor |           |           |        |
| Input reflected ripple current     |           | 15        |           | mA p-p |

## Isolation Specifications

| Parameters            | Conditions                                       | Typical | Rated      | Units |
|-----------------------|--|---------|------------|-------|
| Tested I/O voltage    | 60 Sec, <1mA                                     |         | 1500, 3000 | VDC   |
| Isolation Resistance  | 500Vdc   | >1000   |            | MOhm  |
| Isolation Capacitance | 100KHz/0.1V                                      | 20      |            | pF    |
|                       | AM1M-0512S-NZ, AM1M-0515S-NZ, AM1M-1205S-NZ only | 25      |            |       |

## Output Specifications

| Parameters               | Conditions                           | Typical                   | Maximum | Units    |
|--------------------------|--------------------------------------|---------------------------|---------|----------|
| Voltage accuracy         | See tolerance envelope graph         |                           |         |          |
| Short Circuit protection | 3.3Vin, 24Vin & 24Vout models        |                           | 1s      |          |
|                          | Others                               | Continuous, Auto recovery |         |          |
| Line voltage regulation  | For Vin change of 1%                 |                           | ±1.2    | % of Vin |
|                          | 3.3Vout models, For Vin change of 1% |                           | ±1.5    |          |
| Load voltage regulation  | 10% to 100% load                     | ±15                       |         | %        |
| Temperature coefficient  | Nominal input, 100% full load        |                           | ±0.03   | %/°C     |
| Ripple & Noise           | 20MHz Bandwidth                      | 60                        | 150     | mVp-p    |

NOTE: It is not recommended to have the outputs connected in parallel

## General Specifications

| Parameters                    | Conditions  | Typical     | Maximum | Units |
|-------------------------------|---|-------------|---------|-------|
| Switching frequency           | 100% load   | 100         |         | KHz   |
|                               | AM1M-0505S-NZ   | 100         | 300     |       |
| Operating temperature         | Without derating up to 85°C   | -40 to +105 |         | °C    |
| Storage temperature           |   | -55 to +125 |         | °C    |
| Maximum case temperature      |   |             | 100     | °C    |
| Cooling                       | Free Air Convection   |             |         |       |
| Humidity                      |   |             | 95      | % RH  |
| Case material                 | Black flame-retardant heat-proof plastic (UL94-V0)  |             |         |       |
| Weight                        | 1.4*(Single output models)  |             |         | g     |
|                               | 2.4*(Dual output & 3000VDC isolation models)  |             |         |       |
| Dimensions (L x W x H)        | 0.77 x 0.28 x 0.18 inches, 19.50 x 6.60 x 4.50 mm (Single output models)                    |             |         |       |
|                               | 0.79 x 0.39 x 0.28 inches, 20.00 x 10.00 x 7.00 mm (Dual output & 3000VDC isolation models) |             |         |       |
| MTBF                          | >3,500,000 hours (MIL-HDBK -217F, Ground Benign, t=+25°C)                                   |             |         |       |
| Maximum Soldering Temperature | 1.5mm from case for 10 seconds  |             | 300     | °C    |

## Safety Specifications

| Parameters       |                                       |  |
|------------------|---------------------------------------|--|
| Agency approvals | cULus                                 |  |
| Standards        | Information technology Equipment      | UL 60950-1 (AM1M-1515SH30-NZ only)                   |
|                  | EMI - Conducted and radiated emission | EN55022 Class B (see recommended circuit),           |
|                  | Electrostatic Discharge Immunity      | IEC61000-4-2, Perf. Criteria B (ESD Contact +/- 6KV) |

## Pin Out Specifications

| 1500VDC Isolation |        |
|-------------------|--------|
| Pin               | Single |
| 1                 | +Vin   |
| 2                 | -Vin   |
| 5                 | -Vout  |
| 6                 | +Vout  |
| 7                 | NC     |
| 8                 | NC     |
| 14                | NC     |

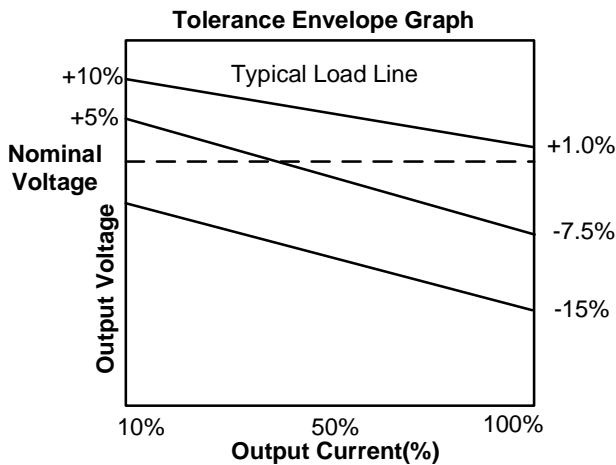
| 1500VDC Isolation |        |
|-------------------|--------|
| Pin               | Dual   |
| 1                 | -Vin   |
| 7                 | NC     |
| 8                 | Common |
| 9                 | +Vout  |
| 11                | -Vout  |
| 14                | +Vin   |

| 3000VDC Isolation |        |        |
|-------------------|--------|--------|
| Pin               | Single | Dual   |
| 1                 | -Vin   | -Vin   |
| 7                 | NC     | NC     |
| 8                 | +Vout  | +Vout  |
| 9                 | No Pin | Common |
| 10                | -Vout  | -Vout  |
| 14                | +Vin   | +Vin   |

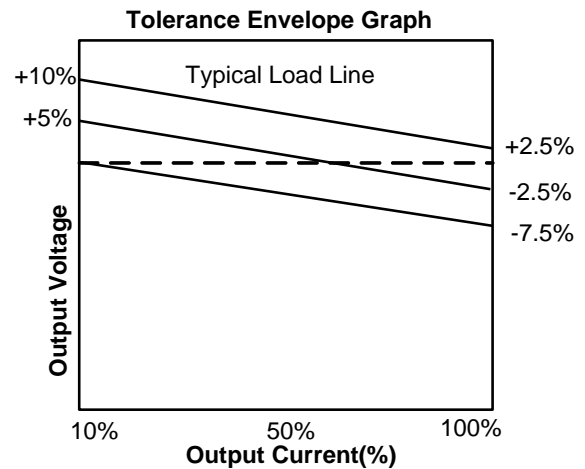
NC: not connected

## Typical Characteristics

### 3.3V output models

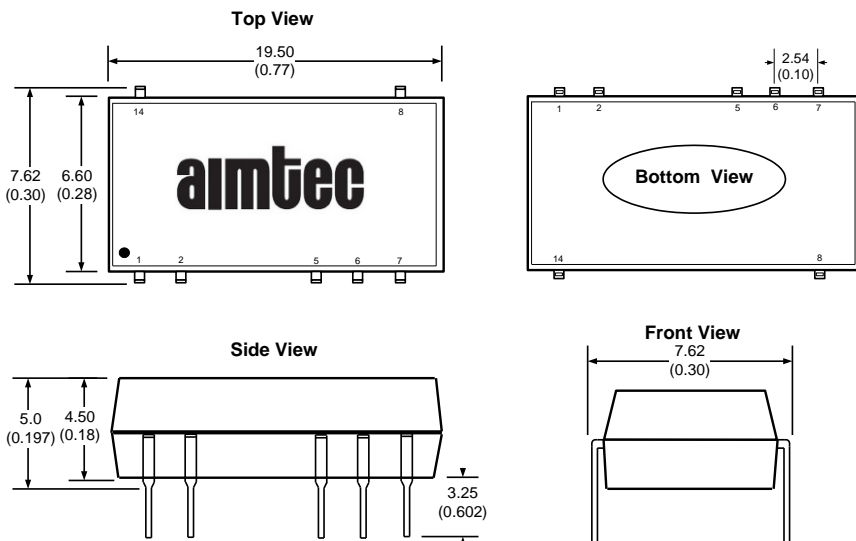


### Others

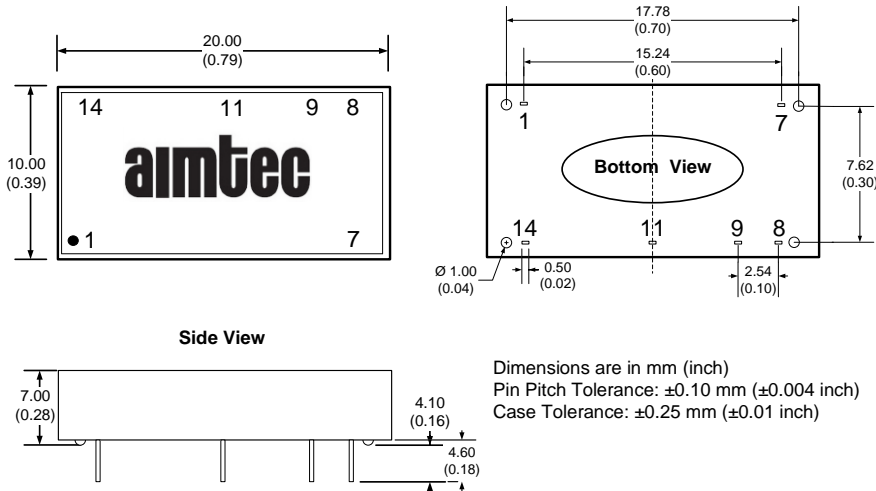


## Dimensions

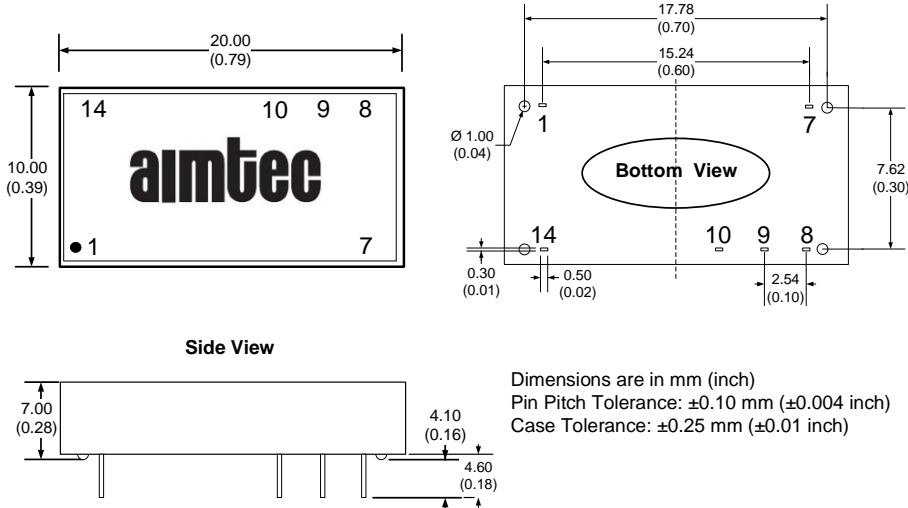
### Single 1500VDC Isolated models



**Dual 1500VDC Isolated models**

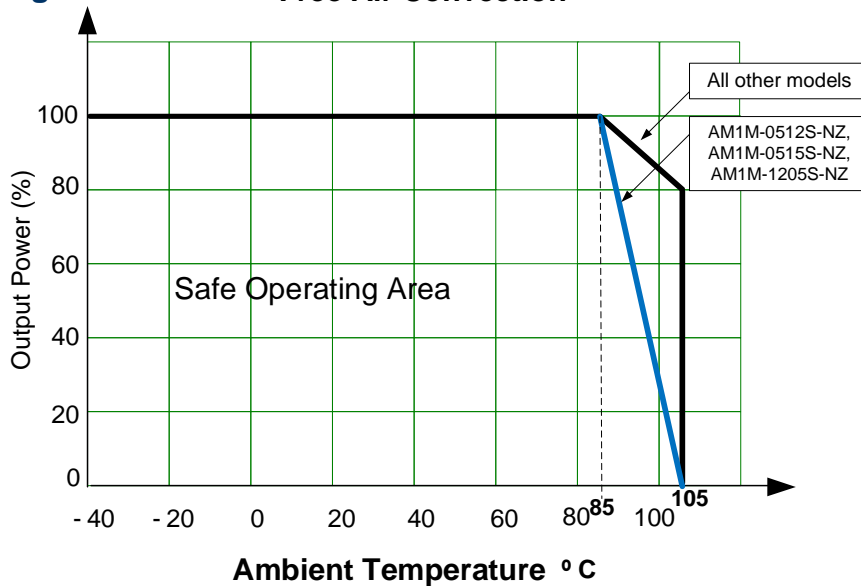


**3000VDC Isolated models**

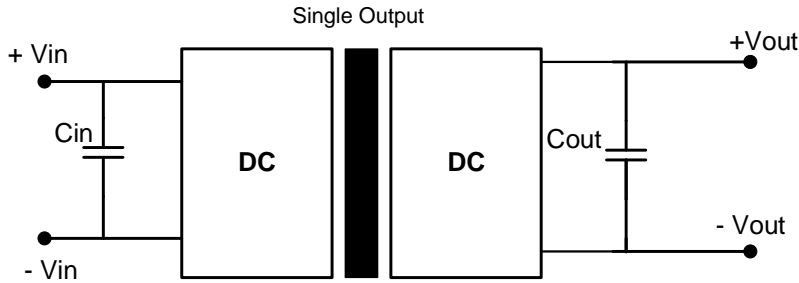


**Derating**

**Free Air Convection**

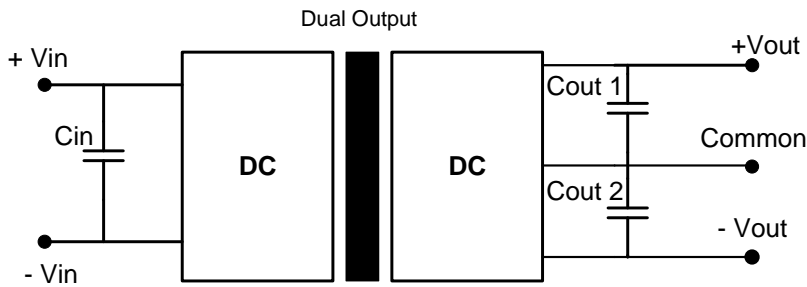


### Typical application circuit



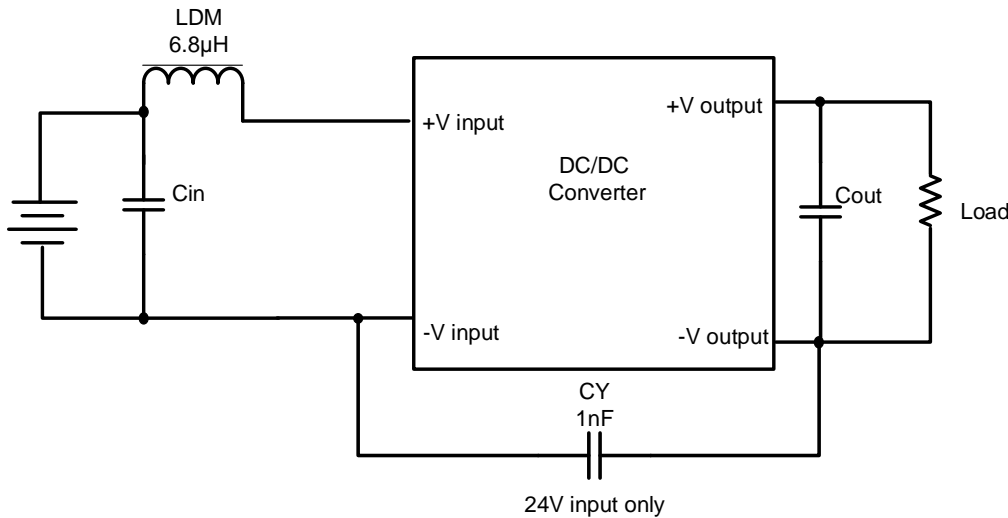
| Vin (VDC) | Cin (uF) | Vout (VDC) | Cout (uF) |
|-----------|----------|------------|-----------|
| 3.3/5     | 4.7      | 3.3/5      | 10        |
| 12/15     | 2.2      | 12         | 2.2       |
| 24        | 1        | 15         | 1         |

It is not recommended to connect any external capacitor in the application field when output loading is less than 0.5 watt.



| Vin (VDC) | Cin (uF) | Vout (VDC) | Cout 1 & 2 (uF) |
|-----------|----------|------------|-----------------|
| 3.3/5     | 4.7      | ±5         | 4.7             |
| 12/15     | 2.2      | ±9/±12     | 1               |
| 24        | 1        | ±15/±24    | 0.47            |

### EMI Recommended Circuit (Class B)



NOTE: Cin and Cout values are the same as referenced in the Application Circuit.

**NOTE:** 1. Datasheets are updated as needed and as such, specifications are subject to change without notice. Once printed or downloaded, datasheets are no longer controlled by Aimtec; refer to [www.aimtec.com](http://www.aimtec.com) for the most current product specifications. 2. Product labels shown, including safety agency certifications on labels, may vary based on the date manufactured. 3. Mechanical drawings and specifications are for reference only. 4. All specifications are measured at an ambient temperature of 25°C, humidity<75%, nominal input voltage and at rated output load unless otherwise specified. 5. Aimtec may not have conducted destructive testing or chemical analysis on all internal components and chemicals at the time of publishing this document. CAS numbers and other limited information are considered proprietary and may not be available for release. 6. This product is not designed for use in critical life support systems, equipment used in hazardous environments, nuclear control systems or other such applications which necessitate specific safety and regulatory standards other the ones listed in this datasheet. 7. Warranty is in accordance with Aimtec's standard Terms of Sale available at [www.aimtec.com](http://www.aimtec.com).