

Data sheet

Commercial Art.No.: 25.313.3353.0

Panel header 8213 S / 3 DFLS M

Feed Through-Pin Header, 3 -pole, with solder pin connection, without marking, pitch:
5,08 mm, series: 8214 S / 3 DFLS M



Commercial Art.No.	25.313.3353.0
EAN	4015573343528
Order Unit	100

Certificates / Approvals



Technical data

General

Modular spacing	5.08 mm
Connection type	Soldering connection
Soldering process	None
Packaging	Carton
Number of poles	3
Number of levels	1
Marking	No
Fastening	Flange
Mating direction towards (circuit) board	None

Technical data

Rated current	6.5 A
Overvoltage Category I	1000 V
Overvoltage Category II	400 V
Overvoltage Category III	250 V
Rated impulse voltage	4 kV

Technical Data UL/CSA

Voltage UL	300 V
Current field wiring	8 A
Current factory wiring	8 A
Voltage CSA	300 V
Current CSA	8 A

Other

Type of insulation material	Thermoplastic
Color	Grey
Height	17.5 mm
Length	35.56 mm
Depth	17.1 mm
Material contact base	CuSn

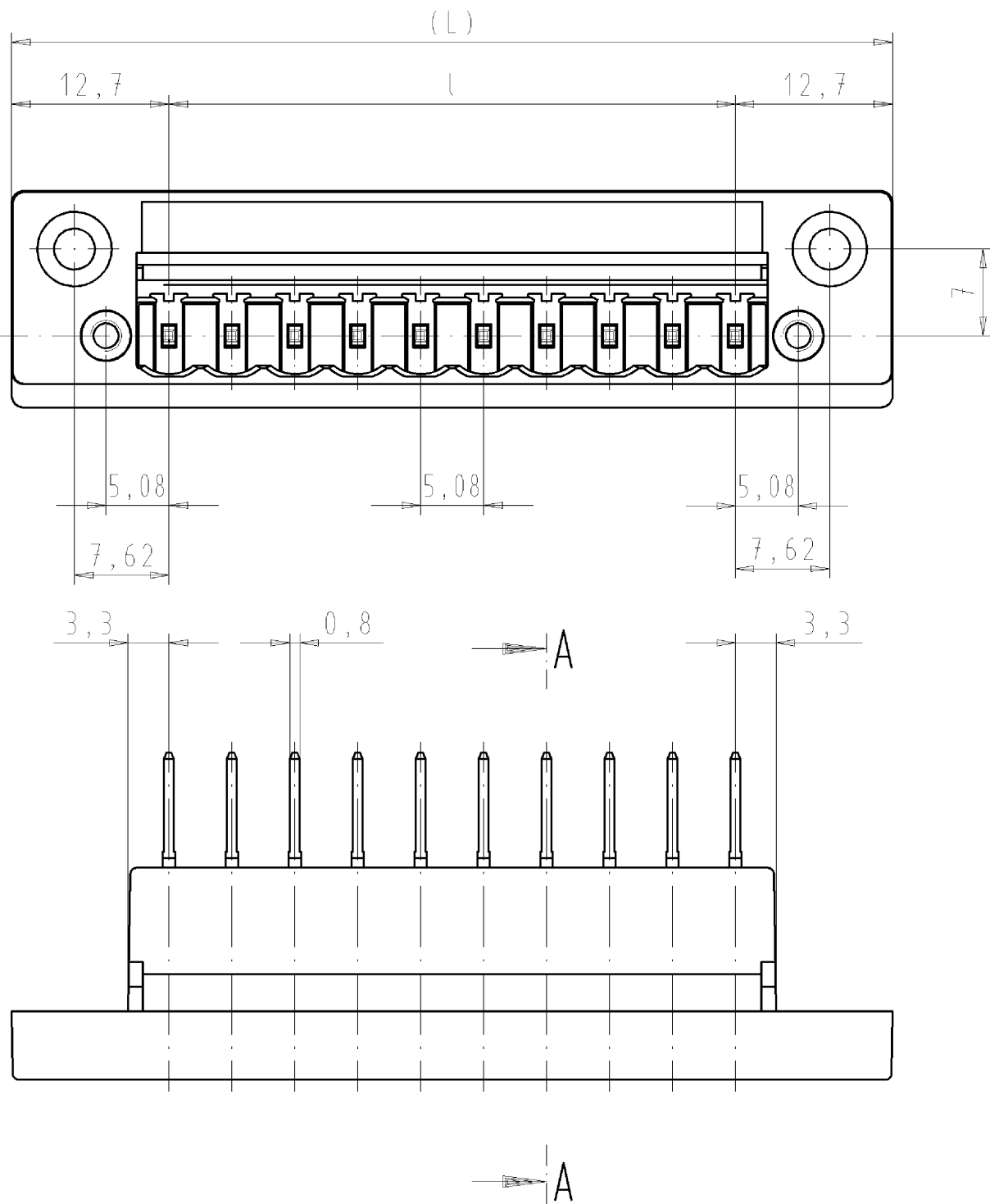
Material contact surface	Sn
--------------------------	----

Classification

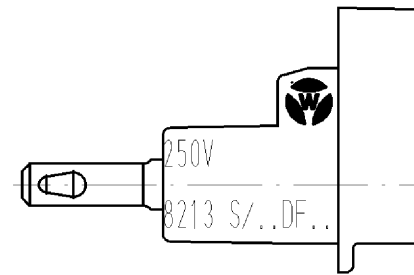
ECLASS 11	
ECLASS 8.1	27440402
ETIM 7.0	EC002637
ETIM 6.0	EC002637
ETIM 5.0	EC002637
ETIM 4.0	EC002637

Product compliance

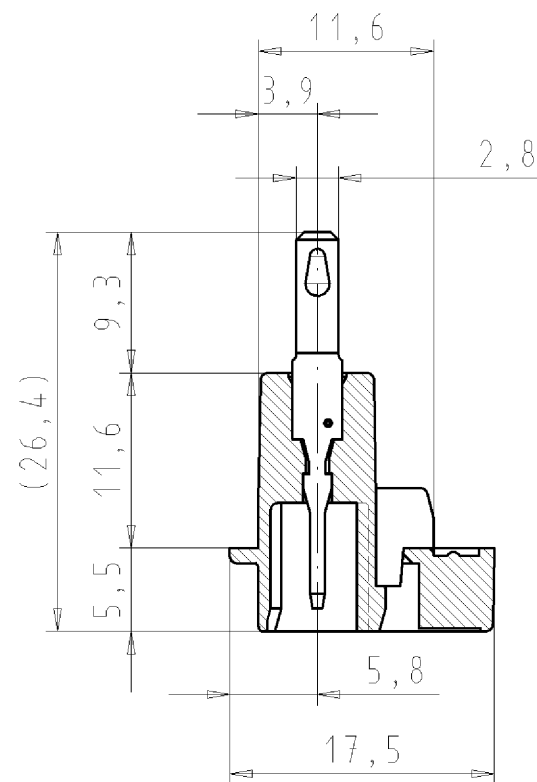
ROHS conformity status	Compliant/Exempted
ROHS exceptions	III-6(c)
REACH-SVHC conformity status	Duty-To-Declare
REACH-SVHC substances	Lead
REACH-SVHC CAS numbers	7439-92-1



10-polige Ausführung gezeichnet
drawn version 10-poles



Schnitt A-A
section A-A



Weitere Daten siehe Katalog
further data see catalog

Farbe colour	.F	Typ type
grau/grey	.0	8213 S/2-24DFLS M
schwarz/black	.1	8213 S/2-24DFLS SW M
grün/green	.7	8213 S/2-24DFLS GN M

mit Löt-Steck-Anschluß mit Einpreßmutter
with solder connection with press in nut

Artikel-Nr. part number	Pol pole	(L)	l	Artikel-Nr. part number	Pol pole	(L)	l
				25.313.4353.F	13	86,36	60,96
25.313.3253.F	2	30,48	5,08	25.313.4453.F	14	91,44	66,04
25.313.3353.F	3	35,56	10,16	25.313.4553.F	15	96,52	71,12
25.313.3453.F	4	40,64	15,24	25.313.4653.F	16	101,60	76,20
25.313.3553.F	5	45,72	20,32	25.313.4753.F	17	106,68	81,28
25.313.3653.F	6	50,80	25,40	25.313.4853.F	18	111,76	86,36
25.313.3753.F	7	55,88	30,48	25.313.4953.F	19	116,84	91,44
25.313.3853.F	8	60,96	35,56	25.313.5053.F	20	121,92	96,52
25.313.3953.F	9	66,04	40,64	25.313.5153.F	21	127,00	101,60
25.313.4053.F	10	71,12	45,72	25.313.5253.F	22	132,08	106,68
25.313.4153.F	11	76,20	50,80	25.313.5353.F	23	137,16	111,76
25.313.4253.F	12	81,28	55,88	25.313.5453.F	24	142,24	116,84

Tolerierung nach DIN 7167/Tolerance system acc. to DIN 7167.
[This DIN-standard describes the envelope principle. According to the envelope principle the deviations of form and parallelism are limited by the size tolerances].

ja/yes Stoffverbots- und Deklarationsliste nach UU-TQM-05/03 ist einzuhalten.
Conformity with Wieland document UU-TQM-05/03 (list of prohibited / declarable hazardous substances) to be declared!

Freitoleranz nach
General tolerance

CAD - Zeichnung, keine manuellen Änderungen
CAD - drawing, no manual modifications allowed

1. Verwendung:
First Use:

Blatt: 1 von 1
Sheet: of 1

Werkstoff/Material	2010	Tag/Date	Name	T	Zeichnung Nr./Drawing No.	Index
	gezeichnet drawn	09.03.	Schmitt J.			
	geprüft checked	-	-		25.313.3253.0 01K	
	Normgepr. Stand. check	-	-			
Maße in mm/Dimensions are in mm						
Vol.	mm ³	Ofl./Surf.	mm ²	Ersatz für/Replacement for: -		
wieland			Type	Benennung/Title		
Elektrische Verbindungen			8213 S/... DFLS M	GEHAUSESTIFTLISTE		
Änderung/Revision			Durchführung Rastmaß: 5,08 Header for panel mounting pitch 5,08			

Weitergabe sowie Vervielfältigung dieses Dokuments, Verwertung und Mitteilung seines Inhalts sind verboten, soweit nicht ausdrücklich gestattet. Die Reproduktion, Distribution und Utilization of this document as well as the communication of its contents to others without express authorization is prohibited.

253133253001K_4_CADW20236_Schnitt: 2010-03-09T11:45:31 1.000