

通用继电器	TRAF
-------	------

- 30A miniature general purpose power relay.
- Ideal for motor switching in appliances and HVAC equipment.
- Designed for high inrush compressor loads.
- With or without quick connect terminal & PCB terminal.
- Semi-sealed construction.
- Conform to RoHS,ELV directive.

ORDERING CODE 订购代码

TRAF D — 12VDC — H L F (XX) 1 2 3 4 5 6 7	
1. Relay Model 继电器型号 TRAF: PCB&QC, TRAF-P: PCB 2. Coil Power 线圈功率 D=0.9W, N=1.4W 3. Coil Nominal Voltage 线圈额定电压 5,6,9,12,18,24,48VDC 4. Contact form 触点形式 H: Form A	5. Contact Rating 触点负载 Nil:Standard, L:Low Capacity, T:30A 6. Insulation System 绝缘等级 Nil:Standard, B:Class B, F:Class F 7. Special Code 特殊代号 Nil:Standard, Letter or number:Special requirement

COIL DATA 线圈参数 (at 20°C)

Nominal Voltage额定电压(VDC)	5	6	9	12	18	24	48	0.9W
Coil Resistance线圈阻值($\Omega \pm 10\%$)	27.8	40	90	160	360	640	2560	
Rated Current额定电流(mA)	180	150	100	75	50	37.5	18.75	
Max Operate Voltage 最大吸合电压(VDC)	3.75	4.5	6.75	9	13.5	18	36	
Min Release Voltage最小释放电压(VDC)	0.25	0.3	0.45	0.6	0.9	1.2	2.4	1.4W
Nominal Voltage额定电压(VDC)	5	6	9	12	18	24	48	
Coil Resistance线圈阻值($\Omega \pm 10\%$)	17.9	25.7	57.9	102.9	231.4	411.4	1645.7	
Rated Current额定电流(mA)	280	233.33	155.56	116.67	77.78	58.33	29.17	
Max Operate Voltage 最大吸合电压(VDC)	3.75	4.5	6.75	9	13.5	18	36	
Min Release Voltage最小释放电压(VDC)	0.25	0.3	0.45	0.6	0.9	1.2	2.4	
Max Applicable Voltage 最大过载电压	70°C时额定电压的 130%, 23°C时额定电压的 170%							

CONTACT DATA 触点参数

Contact Form触点形式	1H
Contact Material触点材料	Silver Alloy
Load负载	Resistive load(COS Φ 1)
Contact Ratings触点负载	D-H:25A 250VAC; D-HL:18A 250VAC; N-H:22A 250VAC; D-HT: 30A250VAC
Minimum load 最小负载	100mA 5VDC
Max Switching Voltage最大转换电压	250VAC
Max Switching Current最大转换电流	30A

Max Switching Power 最大转换功率	6250VA
Contact Resistance接触电阻	100mΩ Max at 6VDC 1A
Life Expectancy寿命	Electrical 电气寿命: 100,000 Operations(at30Operations/minute)
	Mechanical机械寿命: 10,000,000 Operations(at300Operations/minute)

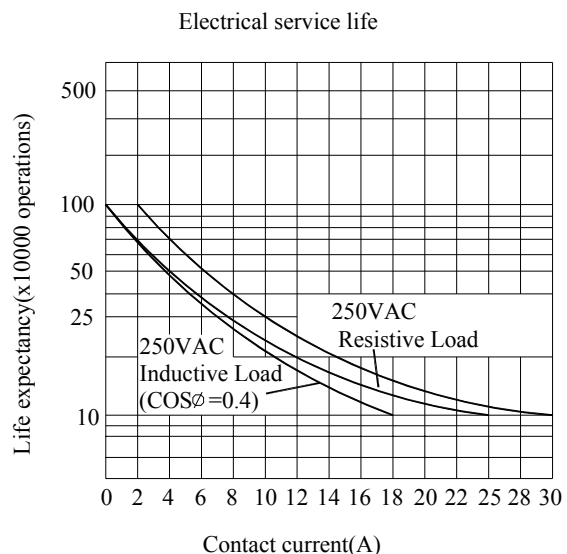
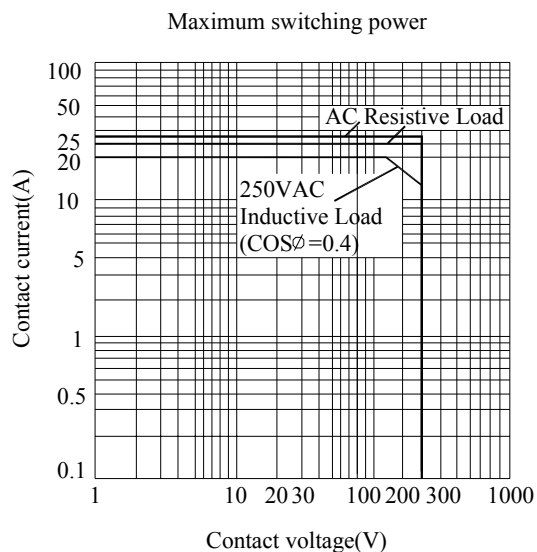
■ CHARACTERISTICS DATA 性能参数

Insulation Resistance绝缘阻值	1000MΩ Min at 500VDC
Dielectric Strength Between Open Contacts触点间耐压	D:1500VAC(for one minute) , N:2500VAC(for one minute)
Between Contacts and coil触点与线圈间耐压	4500VAC(for one minute)
Operate Time吸合时间	≤20ms
Release Time释放时间	≤10ms
Temperature Range环境温度	-40℃ to +85℃ (no freezing)
Shock Resistance冲击	Operating Extremes动作极限: 10G
	Damage Limits破坏极限: 100G
Vibration Resistance振动	10-55Hz, 1.5mm双振幅
Max. switching frequency最大转换频率	Mechanical: 18,000operations/hr
	Electrical: 1,800operations/hr
Humidity湿度	40-85%
Weight重量	Approx 23g
Constrution封装方式	Dust protected防尘罩型
Safety Standard安全标准	

■ APPROVED STANDARDS 安全标准

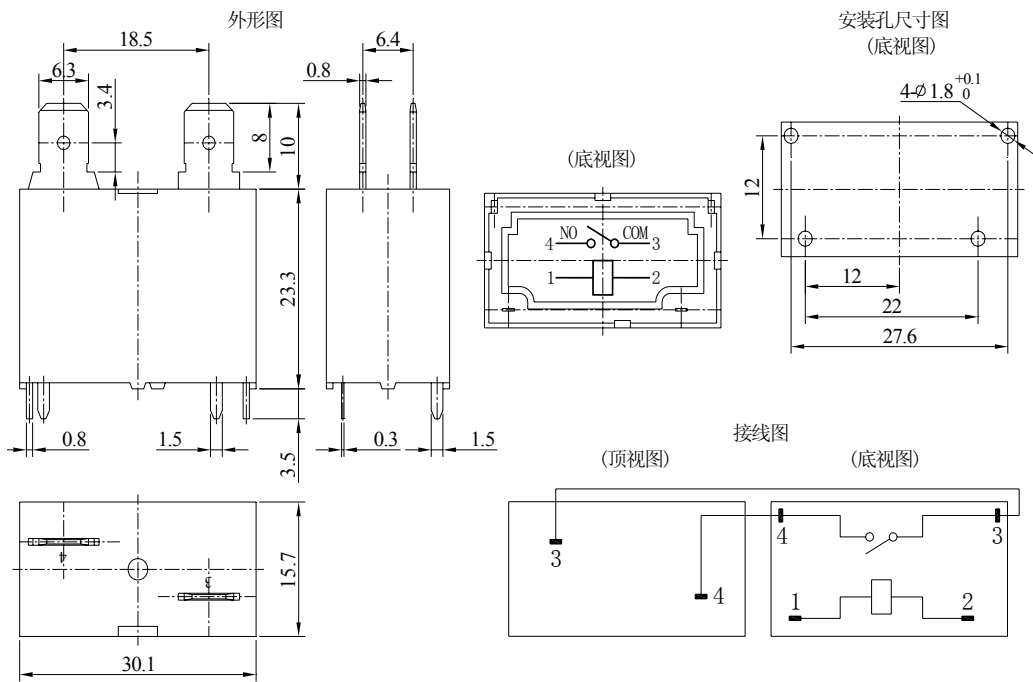
Model(型号)	Coiling rating (线圈电压)	Safety Standard (安全标准)	Contact rating (触点负载)
TRAF	5 to 48VDC	UL,CUL	20A 250VAC

■ ENGINEERING DATA 设计参数

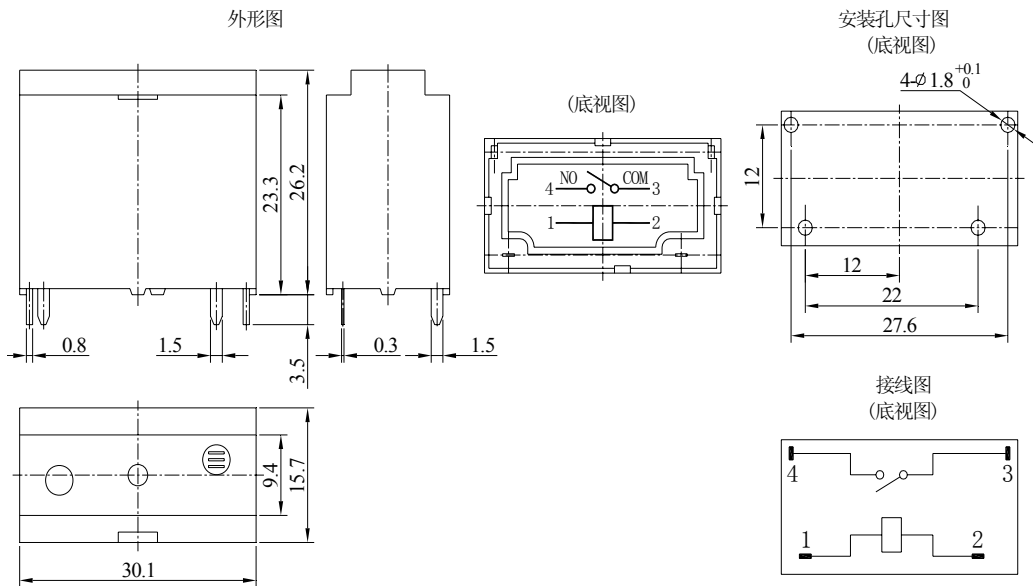


OVERALL AND MOUNTING DIMENSIONS 安装图

TRAF



TRAF-P



备注: 1) 产品部分外形尺寸中未注尺寸公差: 当外形尺寸 $\leq 1\text{mm}$ 时, 公差为 $\pm 0.2\text{mm}$; 当外形尺寸在 $1\sim 5\text{mm}$ 时, 公差为 $\pm 0.3\text{mm}$; 当外形尺寸 $> 5\text{mm}$ 时, 公差为 $\pm 0.4\text{mm}$ 。

2) 安装孔尺寸中未注尺寸公差均为 $\pm 0.1\text{mm}$ 。

声明:

本产品规格书仅供客户使用时参考, 如有更改, 恕不另行通知。