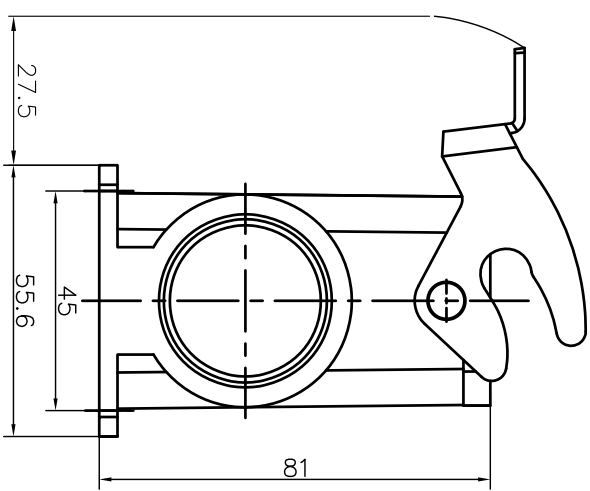
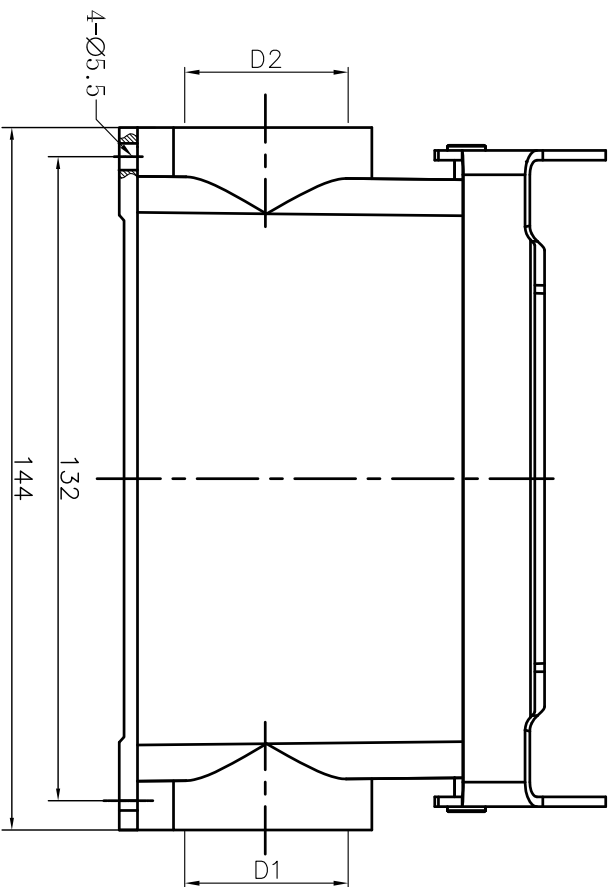
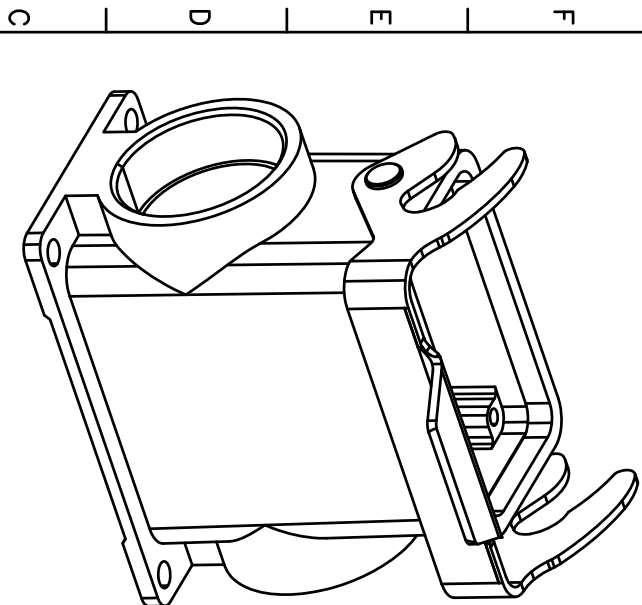


REVISION RECORD			
REV	ECN	DESCRIPTION	DRFT DATE

TYPE	Thread		Selection
	D1	D2	
D24B-SFH-1L-M32	M32	—	
D24B-SFH-1L-2M32	M32	M32	
D24B-SFH-1L-PG21	PG21	—	
D24B-SFH-1L-2PG21	PG21	PG21	
D24B-SFH-1L-PG29	PG29	—	
D24B-SFH-1L-2PG29	PG29	PG29	



Housings Feature

- 01.Material: aluminum die-cast
- 02.Surface: Powder-coated
- 03.Color:grey(RAL 7037)
- 04.Material: Metal(Lever)
- 05.Sealing: NBR
- 06.Limiting temperatures: -40°C ~ +125°C
- 07.Flammability acc to UL94:V0
- 08.Degree of protection acc.to EN60529 for coupled connector: IP65
- 09.Rohs compliance

DETACHED LISTS

<b>PART NO.:</b> /	<b>NAME:</b> NINGBO DEGSON ELECTRICAL CO., LTD 宁波高松电子有限公司
<b>APPR:</b> Huang JS 2019.05.10	<b>TITLE:</b> CUSTOMER DRAWING
<b>CHKD:</b> Yang SH 2019.05.10	<b>DRAWING NO.:</b> /
<b>DRFT:</b> Lu JK 2019.05.10	<b>REV:</b> D0
THIRD ANGLE PROJECTION	<b>SHEET:</b> 1/1
	<b>SCALE:</b> 1:1.5
	<b>DO NOT SCALE DRAWING</b>