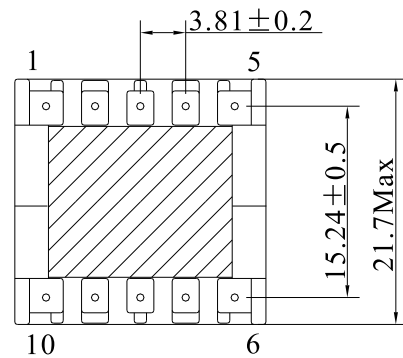
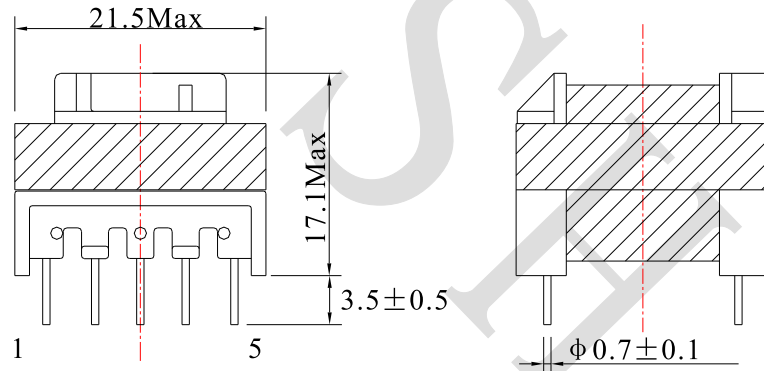


Rev.	Description	Date
A0	New release	2023.08.18

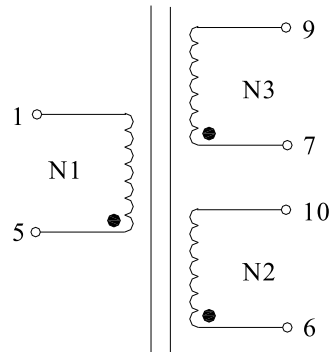
MECHANICAL DIMENSION:(UNIT:mm)



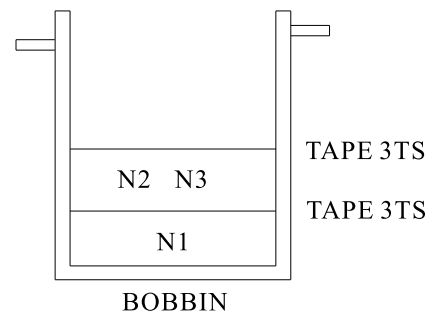
MARKING

V50213

SCHEMATIC:



WINDING CONSTRUCTION:



WINDING:

WDG	TERMINAL	WIRE SIZE	TURNS	TAPE	DCR	REMARKS
N1	5-1	2UEW-F φ0.25mm*1p	132TS	3TS	1.52 Ω ±15%	
N2	6-10	TEX-E φ0.4mm*1p	14TS	3TS	76m Ω ±15%	
N3	7-9	TEX-E φ0.4mm*1p	14TS		76m Ω ±15%	

ELECTRICAL CHARACTER:

NO.	ITEM	MEASURED POINT	TECHNICAL DATA	TEST CONDITION & INSTRUMENT
1	INDUCTANCE	5-1	2.0mH±10%	1KHZ 0.25V
2	HI-POT	Pri to Sec	2.0KV,60Hz,5mA,1S	epe 7112
		Coil to Core	1.5KV,60Hz,5mA,1S	

MATERIAL LIST:

NO.	ITEM	MATERIALS	RATING	FILE NO	SUPPLIERS
1	BOBBIN	PHENOLIC T375J	130°C	E59481(S)	CHANGCHUN PLASTICS CO.,LTD
		UL RATING:94V-0			
2	CORE	P4 EF20	---	---	ACME
3	WIRE	2UEW-F	155°C	E239508	SHANTOU SHENGANG ELECTRICAL INDUSTRIAL CO LTD
		TEX-E	120°C	E350162	SHENZHEN YOUKEHUI TECHNOLOGY CO.,LTD
4	TAPE	PZ-280	130°C	E165111	JINGJIANG YAHUA PRESSURE SENSITIVE GLUE CO., LTD.
5	VARNISH	T4260A	130°C	E228349	WU JIANG TAIHU INSULATING MATERIAL CO LTD

NAME:	Flyback Transformer		
CUSTOMER P/N:	V50213	DATE:	2023-08-18
SHINHOM P/N:	TEF20-122	REV: A0	PAGE
DRAWN BY	CHECKED BY	APPROVE BY	