

MINIATURE SIZE METALLIZED POLYESTER FILM CAPACITOR

Suntan®

MINIATURE SIZE, NON-INDUCTIVE, EPOXY DIP COATED

TS03

FEATURES

- The small size can be compared favourably with the stacked film capacitor
- Excellent self-healing property and reliability
- Low dissipation factor
- Epoxy resin powder coating provides the identical outer appearance.

SPECIFICATIONS

RATED VOLTAGE	DC 50/63V, 100V, 250V, 400V, 630V
CAPACITANCE RANGE	0.001 TO 3.3uF
CAPACITANCE TOLERANCE	±5%
INSULATION RESISTANCE	C≤0.33Mfd ≥3750MΩ (20°C, 1min) C>0.33Mfd ≥1250S (20°C, 1min)
DISSIPATION FACTOR	≤1.0% (20°C, 1KHz)



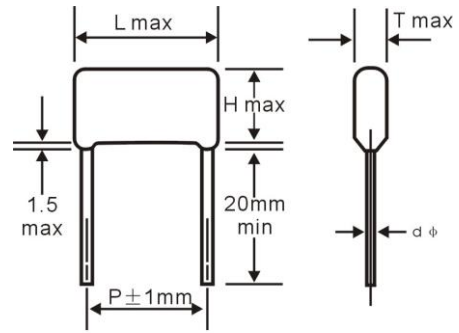
VDC Mfd	50/63V					100V				
	L	T	H	d	P	L	T	H	d	P
0.001~0.0056	8.2	5	8.2	0.5	5	8.2	5	8.2	0.5	5
0.0068	8.2	5	8.2	0.5	5	8.2	5	8.2	0.5	5
0.0082	8.2	5	8.2	0.5	5	8.2	5	8.2	0.5	5
0.01	8.2	5	8.2	0.5	5	8.2	5	8.2	0.5	5
	11	5.5	9.5	0.5	7.5	11	5.5	9.5	0.5	7.5
0.012	8.2	5	8.2	0.5	5	8.2	5	8.2	0.5	5
	11	5.5	9.5	0.5	7.5	11	5.5	9.5	0.5	7.5
0.015	8.2	5	8.2	0.5	5	8.2	5	8.2	0.5	5
	11	5.5	9.5	0.5	7.5	11	5.5	9.5	0.5	7.5
0.018	8.2	5	8.2	0.5	5	8.2	5	8.2	0.5	5
	11	5.5	9.5	0.5	7.5	11	5.5	9.5	0.5	7.5
0.022	8.2	5	8.2	0.5	5	8.2	5	8.2	0.5	5
	11	5.5	9.5	0.5	7.5	11	5.5	9.5	0.5	7.5
0.027	8.2	5	8.2	0.5	5	8.2	5	8.2	0.5	5
	11	5.5	9.5	0.5	7.5	11	5.5	9.5	0.5	7.5
0.033	8.2	5	8.2	0.5	5	8.2	5	8.2	0.5	5
	11	5.5	9.5	0.5	7.5	11	5.5	9.5	0.5	7.5
0.039	8.2	5	8.2	0.5	5	8.2	5	8.2	0.5	5
	11	5.5	9.5	0.5	7.5	11	5.5	9.5	0.5	7.5
0.047	8.2	5	8.2	0.5	5	8.2	5	8.2	0.5	5
	11	5.5	9.5	0.5	7.5	11	5.5	9.5	0.5	7.5
0.056	8.2	5	8.2	0.5	5	8.2	5	8.2	0.5	5
	11	5.5	9.5	0.5	7.5	11	5.5	9.5	0.5	7.5
0.068	8.2	5	8.2	0.5	5	8.2	5	8.2	0.5	5
	11	5.5	9.5	0.5	7.5	11	5.5	9.5	0.5	7.5
0.082	8.2	5	8.2	0.5	5	8.2	5	8.2	0.5	5
	11	5.5	9.5	0.5	7.5	11	5.5	9.5	0.5	7.5
0.1	8.2	5	8.2	0.5	5	8.2	5	8.2	0.5	5
	11	5.5	9.5	0.5	7.5	11	5.5	9.5	0.5	7.5
0.12	8.2	5.5	8.5	0.5	5	8.2	5.5	8.5	0.5	5
	11	5.5	9.5	0.5	7.5	11	5.5	9.5	0.5	7.5
0.15	8.2	5.5	8.5	0.5	5	8.2	5.5	8.5	0.5	5
	11	5.5	9.5	0.5	7.5	11	5.5	9.5	0.5	7.5
0.18	8.2	5.5	8.5	0.5	5	8.2	5.5	8.5	0.5	5
	11	5.5	9.5	0.5	7.5	11	5.5	9.5	0.5	7.5
0.22	8.2	5.5	8.5	0.5	5	8.2	5.5	8.5	0.5	5
	11	5.5	9.5	0.5	7.5	11	5.5	9.5	0.5	7.5
0.27	8.2	5.5	8.5	0.5	5	8.2	5.5	8.5	0.5	5
	11	5.5	9.5	0.5	7.5	11	5.5	9.5	0.5	7.5
0.33	8.2	5.5	9.5	0.5	5	8.2	5.5	9.5	0.5	5
	11	6	10	0.5	7.5	11	6	10	0.5	7.5
0.39	8.2	5.5	9.5	0.5	5	8.2	5.5	9.5	0.5	5
	11	6	10	0.5	7.5	11	6	10	0.5	7.5
0.47	8.2	6	10	0.5	5	8.2	6	10	0.5	5
	11	6	10	0.5	7.5	11	6	10	0.5	7.5
0.56	8.2	6	10	0.5	5	8.2	6	10	0.5	5
	11	6	10	0.5	7.5	11	6	10	0.5	7.5
0.68	8.2	6	11	0.5	5	8.2	6	11	0.5	5
	11	6	10	0.5	7.5	11	6	10	0.5	7.5
0.82	8.2	6.2	12.5	0.5	5	8.2	6.2	12.5	0.5	5

MINIATURE SIZE METALLIZED POLYESTER FILM CAPACITOR

Suntan®

MINIATURE SIZE, NON-INDUCTIVE, EPOXY DIP COATED

TS03



d φ: 0.6mm or 0.8mm ± 0.05mm

VDC Mfd	50/63V					100V				
	L	T	H	d	P	L	T	H	d	P
1	8.2	6.6	13	0.5	5	8.2	6.6	13	0.5	5
	11	6	10.5	0.5	7.5	11	6	10.5	0.5	7.5
1.5	8.2	7.5	13.5	0.5	5	8.2	7.5	13.5	0.5	5
	11	6.5	12	0.5	7.5	11	6.5	12	0.5	7.5
2.2	8.2	8	13.5	0.5	5	8.2	8	13.5	0.5	5
	11	7.5	13	0.5	7.5	11	7.5	13	0.5	7.5
3.3	11	8.5	14.5	0.5	7.5	11	8.5	14.5	0.5	7.5

VDC Mfd	250V					400V					630V				
	L	T	H	d	P	L	T	H	d	P	L	T	H	d	P
0.001~0.0056	8.2	5	8.2	0.5	5	8.2	5	8.2	0.5	5	8.2	5	8.2	0.5	5
0.0068	8.2	5	8.2	0.5	5	8.2	5	8.2	0.5	5	8.2	5	8.2	0.5	5
0.0082	8.2	5	8.2	0.5	5	8.2	5	8.2	0.5	5	8.2	5.5	8.5	0.5	5
0.01	8.2	5	8.2	0.5	5	8.2	5	8.2	0.5	5	8.2	5.8	9	0.5	5
	11	5.5	9.5	0.5	7.5	11	5.5	9.5	0.5	7.5	11	5.5	9.5	0.5	7.5
0.012	8.2	5	8.2	0.5	5	8.2	5	8.2	0.5	5	8.2	6	9.5	0.5	5
	11	5.5	9.5	0.5	7.5	11	5.5	9.5	0.5	7.5	11	5.5	9.5	0.5	7.5
0.015	8.2	5	8.2	0.5	5	8.2	5	8.2	0.5	5	8.2	6.2	9.8	0.5	5
	11	5.5	9.5	0.5	7.5	11	5.5	9.5	0.5	7.5	11	5.5	9.5	0.5	7.5
0.018	8.2	5	8.2	0.5	5	8.2	5	8.2	0.5	5	8.2	6.3	10	0.5	5
	11	5.5	9.5	0.5	7.5	11	5.5	9.5	0.5	7.5	11	5.5	9.5	0.5	7.5
0.022	8.2	5	8.2	0.5	5	8.2	5	8.2	0.5	5	8.2	6.5	10.3	0.5	5
	11	5.5	9.5	0.5	7.5	11	5.5	9.5	0.5	7.5	11	5.5	9.5	0.5	7.5
0.027	8.2	5	8.2	0.5	5	8.2	5	8.2	0.5	5	8.2	6.6	10.5	0.5	5
	11	5.5	9.5	0.5	7.5	11	5.5	9.5	0.5	7.5	11	5.5	9.5	0.5	7.5
0.033	8.2	5	8.2	0.5	5	8.2	5	8.2	0.5	5	8.2	6.8	10.8	0.5	5
	11	5.5	9.5	0.5	7.5	11	5.5	9.5	0.5	7.5	11	5.5	9.5	0.5	7.5
0.039	8.2	5	8.2	0.5	5	8.2	5	8.2	0.5	5	11	5.5	9.5	0.5	7.5
	11	5.5	9.5	0.5	7.5	11	5.5	9.5	0.5	7.5	11	5.5	9.5	0.5	7.5
0.047	8.2	5	8.2	0.5	5	8.2	5	8.2	0.5	5	11	5.5	9.5	0.5	7.5
	11	5.5	9.5	0.5	7.5	11	5.5	9.5	0.5	7.5	11	5.5	9.5	0.5	7.5
0.056	8.2	5.5	8.5	0.5	5	8.2	5.5	9.5	0.5	5	11	5.5	9.5	0.5	7.5
	11	5.5	9.5	0.5	7.5	11	5.5	9.5	0.5	7.5	11	5.5	9.5	0.5	7.5
0.068	8.2	5.5	8.5	0.5	5	8.2	6	10	0.5	5	11	5.5	9.5	0.5	7.5
	11	5.5	9.5	0.5	7.5	11	5.5	9.5	0.5	7.5	11	5.5	9.5	0.5	7.5
0.082	8.2	5.5	9.5	0.5	5	8.2	6	10	0.5	5	11	5.5	9.5	0.5	7.5
	11	5.5	9.5	0.5	7.5	11	5.5	9.5	0.5	7.5	11	5.5	9.5	0.5	7.5
0.1	8.2	5.5	9.5	0.5	5	8.2	6.5	11	0.5	5	11	5.5	9.5	0.5	7.5
	11	5.5	9.5	0.5	7.5	11	5.5	9.5	0.5	7.5	11	5.5	9.5	0.5	7.5
0.12	8.2	6	10	0.5	5	8.2	6.5	11	0.5	5	11	5.5	9.5	0.5	7.5
	11	5.5	9.5	0.5	7.5	11	5.5	9.5	0.5	7.5	11	5.5	9.5	0.5	7.5
0.15	8.2	6	10	0.5	5	8.2	7	12	0.5	5	11	5.5	9.5	0.5	7.5
	11	5.5	9.5	0.5	7.5	11	5.5	9.5	0.5	7.5	11	5.5	9.5	0.5	7.5
0.18	8.2	6.5	11	0.5	5	8.2	7.5	12.5	0.5	5	11	5.5	9.5	0.5	7.5
	11	5.5	9.5	0.5	7.5	11	5.5	9.5	0.5	7.5	11	5.5	9.5	0.5	7.5
0.22	8.2	6.5	11	0.5	5	8.2	8	13	0.5	5	11	5.5	9.5	0.5	7.5
	11	5.5	9.5	0.5	7.5	11	5.5	9.5	0.5	7.5	11	5.5	9.5	0.5	7.5
0.27	8.2	7	12	0.5	5	11	5.5	9.5	0.5	7.5					
	11	5.5	9.5	0.5	7.5	11	5.5	9.5	0.5	7.5					
0.33	8.2	8	13	0.5	5										
	11	7	12	0.5	7.5	11	9	14	0.5	7.5					
0.39	8.2	8	13	0.5	5										
0.47	11	8	13	0.5	7.5										
0.68	11	8.5	14	0.5	7.5										
1	11	10	15	0.5	7.5										

Note: Specification are subject to change without notice. For more detail and update, please visit our website.