

Type VF218/VF218-P

5ØX20mm



Time-Lag Glass Body Cartridge Fuse



Catalog Number	Ampere Rating [In]	Voltage Rating (V)	Nominal Resistance Cold Ohms	Voltage Drop (mv)MAX	Nominal Melting I ² t A ² Sec
VF218/VF218-P.032	32mA	250V AC or less	48.123	5000	0.0113
VF218/VF218-P.040	40mA		31.893	4000	0.0110
VF218/VF218-P.050	50mA		21.112	3500	0.0268
VF218/VF218-P.063	63mA		14.341	3900	0.0452
VF218/VF218-P.080	80mA		9.7660	2500	0.0743
VF218/VF218-P.100	100mA		6.1052	2000	0.0785
VF218/VF218-P.125	125mA		4.4230	2000	0.1410
VF218/VF218-P.160	160mA		3.7502	1500	0.1434
VF218/VF218-P.200	200mA		1.6521	1300	0.3391
VF218/VF218-P.250	250mA		1.0560	1100	0.5424
VF218/VF218-P.315	315mA		0.8512	1000	1.0811
VF218/VF218-P.400	400mA		0.5623	900	1.4010
VF218/VF218-P.500	500mA		0.3608	300	2.8210
VF218/VF218-P.630	630mA		0.2732	250	4.6432
VF218/VF218-P.800	800mA		0.0721	150	3.3810
VF218/VF218-P001	1A		0.0560	150	6.5340
VF218/VF218-P1.25	1.25A	0.0495	150	12.150	
VF218/VF218-P1.60	1.6A	0.0337	150	23.334	
VF218/VF218-P002	2A	0.0297	150	23.520	
VF218/VF218-P2.50	2.5A	0.0221	120	23.875	
VF218/VF218-P3.15	3.15A	0.0170	100	38.210	
VF218/VF218-P004	4A	0.0128	100	68.123	
VF218/VF218-P005	5A	0.0102	100	110.52	
VF218/VF218-P6.30	6.3A	0.0076	100	197.26	
VF218/VF218-P008	8A	0.0058	100	340.35	
VF218/VF218-P010	10A	0.0047	100	563.61	
VF218/VF218-P012.5	12.5A	0.0035	100	825.24	
VF218/VF218-P015	15A	0.0027	100	1385.0	
VF218/VF218-P016	16A	0.0020	100	1906.0	

Electrical Characteristic

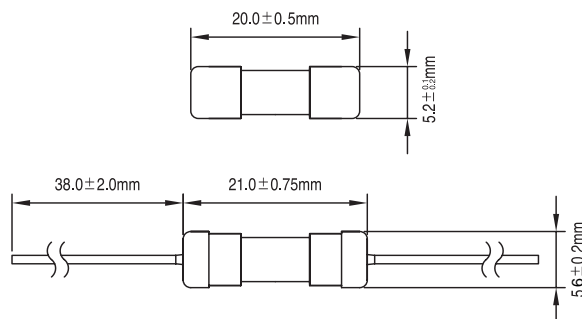
Rated Current	1.5In		2.1In		2.75 In		4 In		10 In	
	MIN	MAX	MIN	MAX	MIN	MAX	MIN	MAX	MIN	MAX
32mA	60	120	200	10	40	3	10	300		
~100mA	min	sec	ms	sec	ms	sec	ms	ms		
125mA~6.3A	60	120	600	10	150	3	20	300		
	min	sec	ms	sec	ms	sec	ms	ms		
8A~16A	30	120	600	10	150	3	20	300		
	min	sec	ms	sec	ms	sec	ms	ms		

Environmental Temperature at 25°C

Interrupting Rating

32mA~16A: 100 amperes at 250V AC

Mechanical Dimension



Physical Specification

Material

Glass body / Nickel Plated Brass Caps

Lead Wire:

Diameter Ø0.65mm 5A and less.

Diameter Ø0.8mm for rating above 6.3A.

Packaging

In Bulk:

VF218 - 500 pcs ; VF218-P - 300 pcs per box

Environmental Specification

Operating Temperature -55°C to +125°C

Approval

Recognized Component for Canada and U.S.

TUV

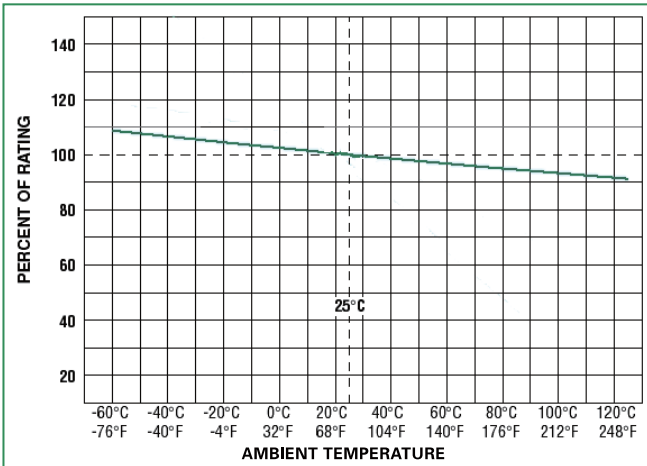
CCC

0.032~16A

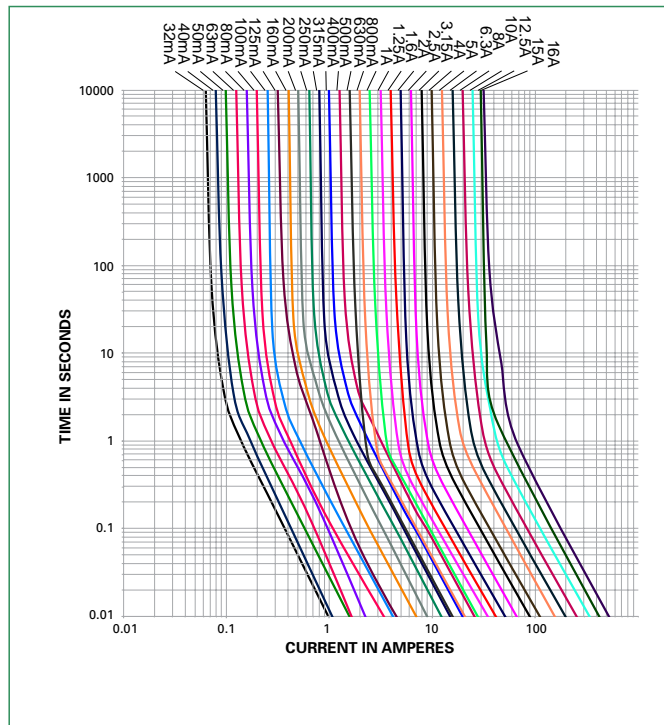
Pending

Pending

Temperature Derating Curve



Average Time Current Curves



Part Numbering System

VF218 -P 001 AL

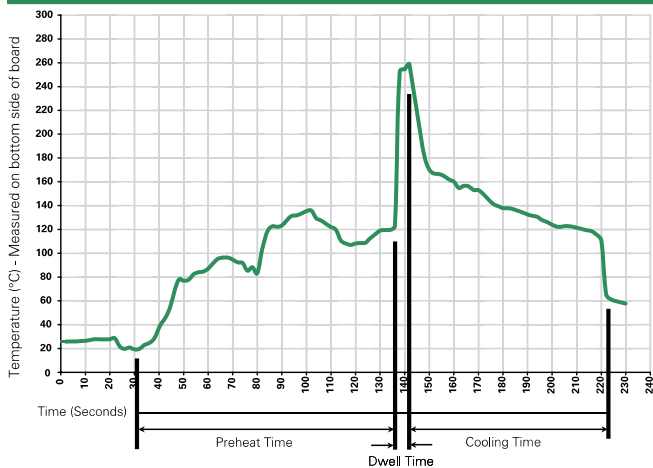
SERIES

With Lead wire

AMP Code

Radial lead forming type

Soldering Parameters



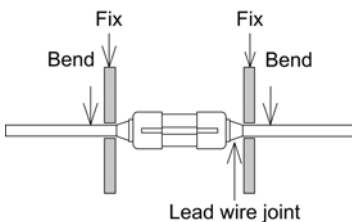
When forming by hand

○ Correct

× Incorrect



When forming with forming dies



For reference only

Recommended Process Parameters:

Wave Parameter	Lead-Free Recommendation
Preheat: (Depends on Flux Activation Temperature)	(Typical Industry Recommendation)
Temperature Minimum:	100° C
Temperature Maximum:	150° C
Preheat Time:	60-180 seconds
Solder Pot Temperature:	260° C Maximum
Solder Dwell Time:	2-5 seconds

Recommended Hand-Solder Parameters:

Solder Iron Temperature: 350° C +/- 5° C
Heating Time: 5 seconds max.

Note: These devices are not recommended for IR or Convection Reflow process.

