

## Data sheet

Commercial Art.No.: 76.320.0729.0

Bottom MIN GUT GA 7 25 Z

Bottom-base revos MINI made of zinc, ankled, open, low version



|                    |               |
|--------------------|---------------|
| Commercial Art.No. | 76.320.0729.0 |
| EAN                | 4015573563247 |
| Order Unit         | 10            |

## Technical data

### General

|  |                     |
|--|---------------------|
| Housing material   | Die-cast zinc       |
| Color  | Grey                |
| Surface  | With powder coating |
| Degree of protection (IP)                                  | IP54                |
| UV resistant   | yes                 |
| Inflammability class of insulation material acc. with UL94 | Other               |
| Operating temperature range min.                           | -40 °C              |
| Operating temperature range max.                           | 120 °C              |

### Model

|                        |                      |
|------------------------|----------------------|
| Construction           | 3                    |
| Locking mechanism      | Single locking lever |
| Cable entry            | None                 |
| Type of cable          | None                 |
| With cable screw gland | No                   |
| Thread size PG         |                      |
| Hinged lid             | No                   |
| EMC-version            | No                   |
| Length                 | 40 mm                |
| Width                  | 36.5 mm              |
| Height                 | 23 mm                |

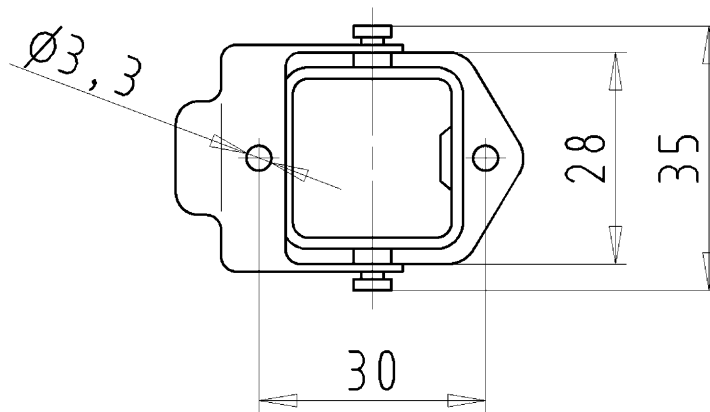
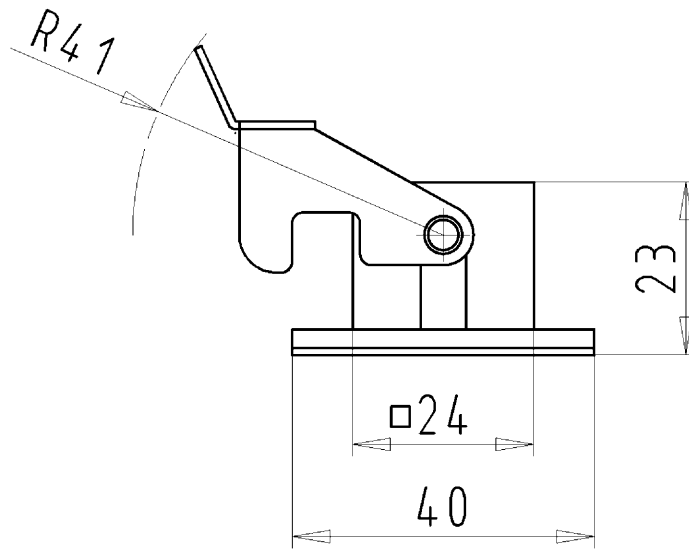
### Classification

|           |  |
|-----------|--|
| ECLASS 11 |  |
|-----------|--|

|            |          |
|------------|----------|
| ECLASS 8.1 | 27440202 |
| ETIM 7.0   | EC000437 |
| ETIM 6.0   | EC000437 |
| ETIM 5.0   | EC000437 |
| ETIM 4.0   | EC000437 |
| ETIM 3.0   | EC000437 |

## Fits with

| Commercial Art.No.: | Article-type description:         | Description:   |
|---------------------|-----------------------------------|--|
| 73.300.0353.0       | Female insert MIN BUS 3 2,5 40    | Female insert revos MINI, 3-poles, rated current: 10A, rated voltage: 250/400 V, with tin-plated contacts                  |
| 73.310.0353.0       | Male insert MIN STS 3 2,5 40      | Male insert revos MINI, 3-poles, rated current: 10 A, rated voltage: 250/400 V, with tin-plated contacts                   |
| 73.300.0453.0       | Female insert MIN BUS 4 2,5 25 AG | Female insert revos MiNI, 4-poles, rated current: 10A, rated voltage: 400V, with silver-plated contacts                    |
| 73.310.0453.0       | Male insert MIN STS 4 2,5 25 AG   | Male insert revos MiNI, 4-poles, rated current: 10A, rated voltage: 400V, with silver-plated contacts                      |
| 73.700.0753.0       | Female insert MIN BUC 7 25        | Female insert revos MINI, 7-poles, crimp connection, rated current: 10A, rated voltage: 400V, with silver-plated contacts  |
| 73.710.0753.0       | Male insert MIN STC 7 25          | Male insert revos MiNI, 7-poles, crimp connection, rated current: 10A, rated voltage: 400V, with silver-plated contacts    |
| 73.700.0853.0       | Female insert MIN BUC 8 05        | Female insert revos MiNI, 8-poles, crimp connection, rated current: 10A, rated voltage: 50V, with silver-plated contacts   |
| 73.710.0853.0       | Male insert MIN STC 8 05          | revos MINI 8 pole, male insert, 50V/10A, crimp connection  |
| 73.700.1253.0       | Female insert MIN BUC 12 40 AG    | revos MINI Q12, 12-pole + ground, female insert, IEC 690V/10A, UL 600V/10A, crimp connection                               |
| 73.710.1253.0       | Male insert MIN STC 12 40 AG      | revos MINI Q12, 12-pole + ground, male insert, IEC 690V/10A, UL 600V/10A, crimp connection                                 |
| 73.700.0553.0       | Female insert MIN BUC 5 25 AG     | Female insert revos MiNI, 5-poles, crimp connection, rated current: 16 A, rated voltage: 400V, with silver-plated contacts |
| 73.710.0553.0       | Male insert MIN STC 5 25 AG       | Male insert revos MiNI, 5-poles, crimp connection, rated current: 16 A, rated voltage: 400V, with silver-plated contacts   |



Gehäuseunterteil  
 76.320.0729.0  
 76.320.0753.0

Zeichnungsnummer  
 76.320.0729.010W  
 Gehäuseunterteil

08.01.2008  
 Hoffmann Angelika  
 M 1:1  
 20.11.12 Index "a" RIK