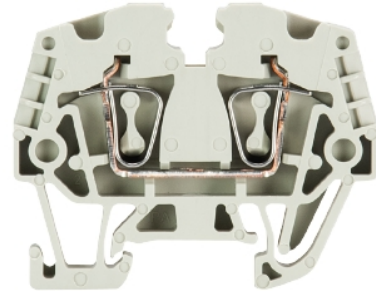


Data sheet

Commercial Art.No.: 55.703.0053.0

Feed-through terminal WKMF 2,5/15

Feed-through terminal with tension spring connection for mounting on TS15 , nominal cross section: 2.5 mm², width: 5.1 mm, color: grey



Commercial Art.No.	55.703.0053.0
EAN	4015573671386
Order Unit	100

Certificates / Approvals



ATEX

Technical data

General

Nominal cross section	2.5 mm ²
Color	Grey
Number of levels	1
Number of clamp positions per level	2
Width/grid dimension	5.1 mm
Insulating housing	PA666
Inflammability class of insulation material acc. with UL94	V0
Explosion-tested version "Ex e"	yes
Mounting method	DIN rail (top hat rail) 15 mm
Terminal blocks for electrical installations	yes

Technical data

Rated current	24 A
Rated voltage	500 V
Rated impulse voltage	6 kV
Pollution degree	3
Closing plate required	yes
Type of insulation material	Thermoplastic
Length	35 mm

Connection Data

Connection type 1	spring clamp connection
Connection type 2	spring clamp connection
Minimum cross section solid	0.13 mm ²

Maximum cross section solid	2.5 mm ²
Minimum cross section fine stranded	0.13 mm ²
Maximum cross section fine stranded	2.5 mm ²
Wire strip length	10 mm

Technical Data UL/CSA

Cross section UL	26-12 AWG
Voltage UL	600 V
Current factory wiring	20 A
Current field wiring	20 A
Cross section CSA	26-12 AWG
Voltage CSA	300 V
Current CSA	20 A

Classification

ECLASS 11	
ECLASS 8.1	27141120
ETIM 7.0	EC000897
ETIM 6.0	EC000897
ETIM 5.0	EC000897
ETIM 4.0	EC000897

Product compliance

ROHS conformity status	Compliant
REACH-SVHC conformity status	Compliant

Accessories

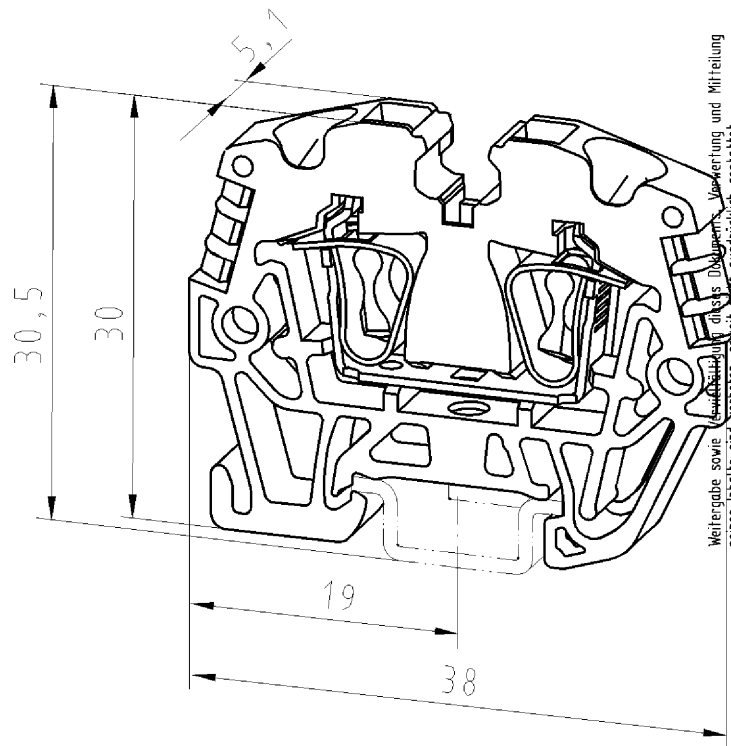
Commercial Art.No.:	Article-type description:	Description:
Z7.260.0229.0	Jumper bar IVB WKMF 2,5- 2	Cross connector, insulated for DIN rail terminal blocks type WKMF..., 2 -pole
Z7.260.0329.0	Jumper bar IVB WKMF 2,5- 3	Cross connector, insulated for DIN rail terminal blocks type WKMF..., 3 -pole
Z7.260.0429.0	Jumper bar IVB WKMF 2,5- 4	Cross connector, insulated for DIN rail terminal blocks type WKMF..., 4 -pole
Z7.260.0529.0	Jumper bar IVB WKMF 2,5- 5	Cross connector, insulated for DIN rail terminal blocks type WKMF..., 5 -pole
Z7.260.0629.0	Jumper bar IVB WKMF 2,5- 6	Cross connector, insulated for DIN rail terminal blocks type WKMF..., 6 -pole
Z7.260.0729.0	Jumper bar IVB WKMF 2,5- 7	Cross connector, insulated for DIN rail terminal blocks type WKMF..., 7 -pole
Z7.260.0829.0	Jumper bar IVB WKMF 2,5- 8	Cross connector, insulated for DIN rail terminal blocks type WKMF..., 8 -pole
Z7.260.1029.0	Jumper bar IVB WKMF 2,5- 10	Cross connector, insulated for DIN rail terminal blocks type WKMF..., 10 -pole
98.090.0015.0	Mounting rail TS 15 PERF - l:2000mm	Mounting rail TS 15, slotted, Höhe 5,5 mm, length 2 m, material steel. galv. zinc-plated and dichromated
07.312.5953.0	End plate APMF 2,5/15	End plate for DIN rail terminal blocks type WKMF 2,5..., color: grey
04.242.5053.0	Marking tag strips 9705 A / 5 / 10	Marking tag strips for DIN rail terminal blocks type 9700 A / 5..., 10 tags per strip, color: blue, unmarked, markable with Wieplot plotter-system

Weitere Daten siehe Katalog
further data see catalog

These dimensions will be especially checked at delivery
Only inspection dimensions
With /E marked dimensions are only valid for internal use

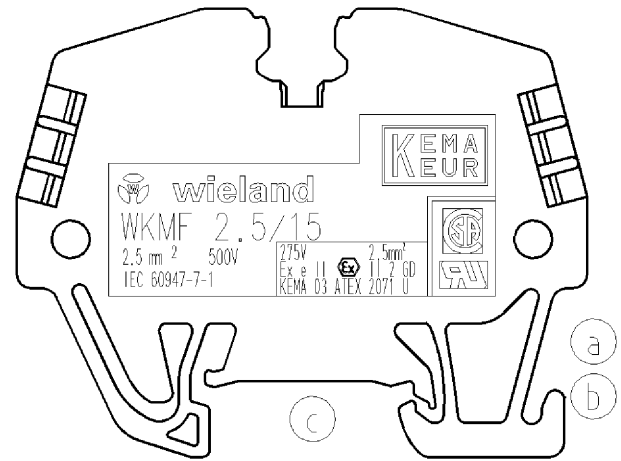
Technische Daten
Technical Data

	VDE	UL	CSA
Bemessungsspannung V rated voltage	500	300	300
Bemessungsstrom A rated current	24	20	20
Anschlußbereich max. mm ² /AWG connection range	2,5	12	12
Bemessungsquerschnitt 2,5mm ² rated cross-section 2,5mm ²			
Brennbarkeitsklasse UL 94 V-0 flamability rating UL 94 V-0			
Verschmutzungsgrad 3/Überspannungskategorie III pollution degree 3/overvoltage category III			



Weitergabe sowie Verwertung und Mitteilung seines Inhalts sind verboten, soweit nicht ausdrücklich gestattet. The reproduction, distribution and utilization of this document as well as the communication of its contents to others without express authorization is prohibited.

Diese Maße werden bei Abnahme besonders geprüft
Ausschließlich Prüfmaße
Mit /E gekennzeichnete Maße sind nur für interne Zwecke gültig



Teile-Nr. part-no.	Typ type	Farbe colour
55.703.0053.0	WKMF 2,5/15	grau, ähnl./grey, similar to RAL7032
55.703.0053.1	WKMF 2,5/15 SCHWARZ	schwarz/black
55.703.0053.5	WKMF 2,5/15 ROT	rot/red
55.703.0053.6	WKMF 2,5/15 BLAU	blau, ähnl./blue, similar to RAL5012
55.703.0053.7	WKMF 2,5/15 GRÜN	grün/green
55.703.0053.8	WKMF 2,5/15 GELB	gelb/yellow
55.703.0053.9	WKMF 2,5/15 ORANGE	orange/orange

Tolerierung nach DIN 7167/Tolerance system acc. to DIN 7167. (This DIN-standard describes the envelope principle. According to the envelope principle the deviations of form and parallelism are limited by the size tolerances). ja/yes Stoffverbots- und Deklarationsliste nach UU-TQM-05/03 ist einzuhalten. Conformity with Wieland document UU-TQM-05/03 (list of prohibited / declarable hazardous substances) to be declared!

Freitoleranz nach - General tolerance CAD - Zeichnung, keine manuellen Änderungen CAD - drawing, no manual modifications allowed 1. Verwendung: - First Use: Blatt: 1 von 1 Sheet: of 1

Werkstoff/Material Farbe: siehe Tabelle colour: see table	2003 gezeichnet drawn 12.05 geprüft checked Normgepr. Stand. check	Tag/Date Name Schmitt	Zeichnung Nr./Drawing No. T 55.703.0053.0 01K c	Index c
---	---	-----------------------------	--	------------

c	27.02.2007/	Vol.	mm ³	Ofl./Surf.	mm ²	Ersatz für/Replacement for: -
b	06.08.2004/	 Elektrische Verbindungen	Type WKMF		Benennung/Titel DURCHGANGSKLEMME	
a	19.12.2003/		2,5/15 ..		terminal	
Index	Datum / Blatt Date / Sheet					
Änderung/Revision						

557030053001K_4_CADW1043_duitsch 2007-02-28T10:01:08 1.000