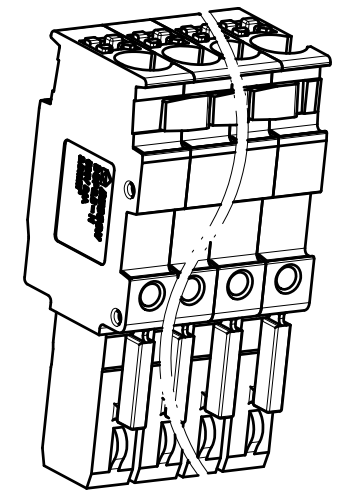
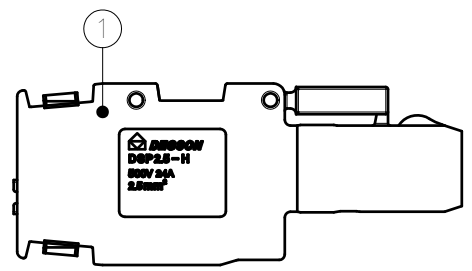
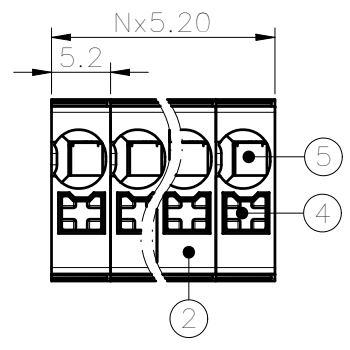
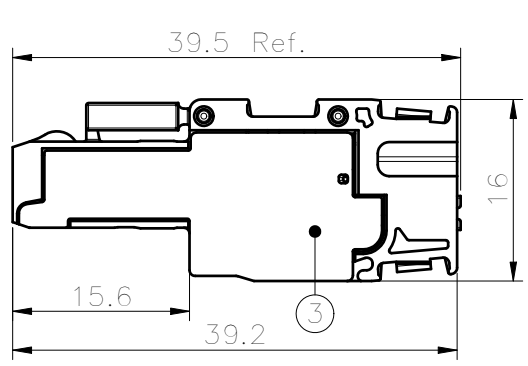
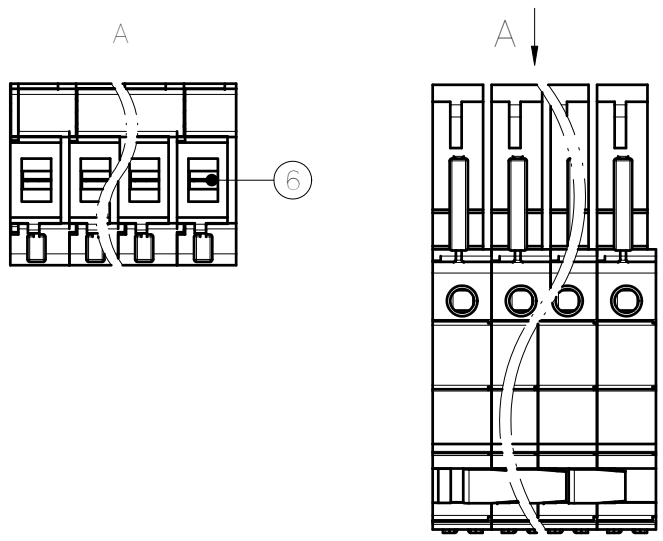


Transfer or duplication of this document as well as the utilization or communication of its contents are prohibited unless written authorization is granted. Degson will be liable for compensation. All rights reserved for patent, utility model or designs registrations. 非经书面明确授权, 否则禁止转让、复制、利用、交加本文件内容, 一经发现将追究法律责任, 一经发现保留对涉及发明、实用新型和外观设计的所有权利。



未注公差/General tolerances(mm)														
0	>3	>6	>10	>18	>30	>50	>80	>120	>180	>250	>315	>400	0.1/10	
~3	~6	~10	~18	~30	~50	~80	~120	~180	~250	~315	~400	~500		
±0.12	±0.18	±0.22	±0.26	±0.31	±0.37	±0.57	±0.80	±0.93	±1.05	±1.15	±1.60	±2.20	±2.50	±2'
UL 标准/UL Standard:										B	C	D		
额定电压/电流/Rated Voltage(V)/Current(A)										300/20	300/20	600/5		
IEC 标准/IEC Standard:														
过压类别/Overvoltage Category/污染等级/Pollution Degree										III/3	III/2	II/2		
额定电压/电流/Rated Voltage(V)/Current(A)										500/24	/	/		
额定脉冲电压(KV)/Rate Impulse Voltage(KV)										6	/	/		
线径范围/硬线和软线/Wire Range(rigid and flexible)(AWG/mm²)										26~12 / 0.2~2.5&4(SOL)				
间距/Pitch(mm) 线数范围/Poles										5.20/N=01~15P				
剥线长度/Stripping length(mm)										10~12				
使用温度范围/Operating temperature(°C)										-40~+105				
符合 RoHS 环保要求/Conform to RoHS										Yes				
标准颜色编号/Standard color number: PANTONE / RAL										/				

ITEM	NAME OF PART	MATERIAL	NOTES
6	Clamp	Copper	Sn plated
5	Spring	Stainless steel	/
4	Button	PA66+GF%	UL94V-0
3	Cover	PA66	UL94V-0
2	Housing 2	PA66	UL94V-0
1	Housing 1	PA66	UL94V-0

		MATERIAL:		SURFACE:	
APPD: 李根芳 2022.07.01		MAT NO./REV: 11040000275-1 / 00		MAT STATUS: 小批量	
CHKD: 马恩开 2022.06.28		NAME: DSP2.5-H-XXP-1Y-00A(H)			
DRFT: 米帅 2022.06.28		DRAWING NO. 200024985		TYPE: CUSTOMER DRAWING	
REV: /		DRAWING STATUS: 已发布		SCALE: 1.5:1	
ECN: /		DESCRIPTION: First version		SHEET: 1/1	
DRFT: 米帅		DATE: 2022.06.28		A4	

REV	ECN	DESCRIPTION	DRFT	DATE
00	/	First version	米帅	2022.06.28