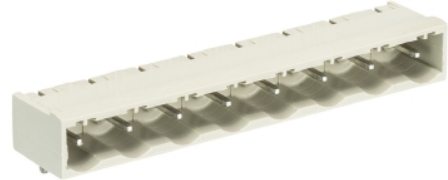


Data sheet

Commercial Art.No.: 25.392.3353.0

PCB pin header 8413 S / 3 W OB

PCB pin header with pin header, connection method depends on used socket part , 3 poles, pitch: 7.62 mm, type of packing: carton, color: grey



Commercial Art.No.	25.392.3353.0
EAN	4015573200449
Order Unit	100

Certificates / Approvals



Technical data

General

Modular spacing	7.62 mm
Soldering process	Wave soldering
Packaging	Carton
Number of poles	3
Number of levels	1
Marking	No
Fastening	None
Mating direction towards (circuit) board	180°

Technical data

Rated current	12 A
Overvoltage Category I	1000 V
Overvoltage Category II	690 V
Overvoltage Category III	400 V
Rated impulse voltage	6 kV

Technical Data UL/CSA

Voltage UL	300 V
Current field wiring	15 A
Current factory wiring	15 A
Voltage CSA	300 V
Current CSA	15 A

Other

Type of insulation material	Thermoplastic
Color	Grey
Height	8.4 mm
Length	22.14 mm
Depth	12 mm

Material contact base	CuZn
Material contact surface	Sn

Classification

ECLASS 8.1	27440402
ETIM 7.0	EC002637
ETIM 6.0	EC002637
ETIM 5.0	EC002637
ETIM 4.0	EC002637

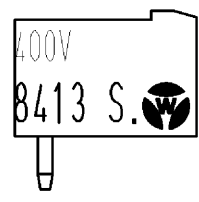
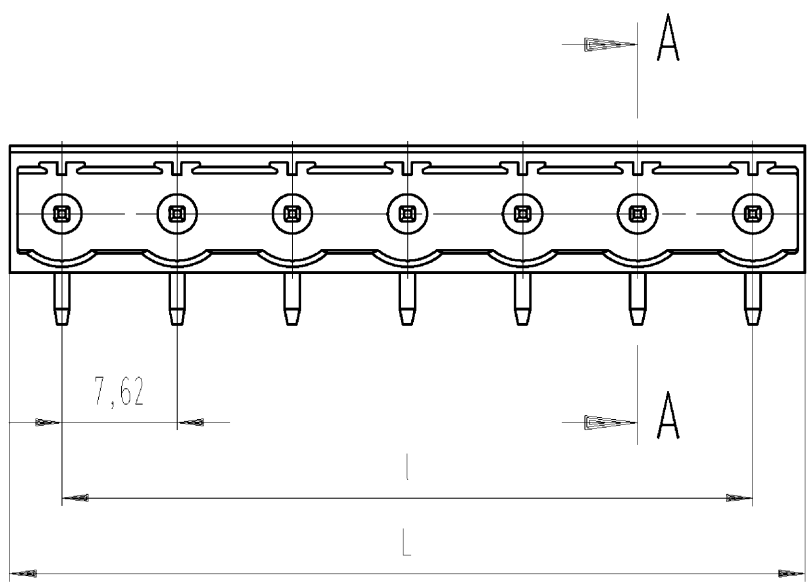
Product compliance

ROHS conformity status	Compliant
REACH-SVHC conformity status	Compliant

Fits with

Commercial Art.No.:	Article-type description:	Description:
25.380.3353.0	PCB connector 8413 B / 3 OB	PCB female connector with screw connection with rising cage clamp system, 3 poles, max. cross section: 2.5 mm ² , pitch: 7.62 mm, type of packing: carton, color: grey
25.380.0353.0	PCB connector 8413 B / 3	PCB female connector with screw connection with rising cage clamp system, 3 poles, printed version, max. cross section: 2.5 mm ² , pitch: 7.62 mm, type of packing: carton, color: grey
25.385.2353.0	PCB connector 8413 B / 3 VR OB	PCB female connector with screw connection with rising cage clamp system, 3 poles, max. cross section: 2.5 mm ² , pitch: 7.62 mm, type of packing: carton, color: grey
25.385.0353.0	PCB connector 8413 B / 3 VR	PCB female connector with screw connection with rising cage clamp system, 3 poles, printed version, max. cross section: 2.5 mm ² , pitch: 7.62 mm, type of packing: carton, color: grey
25.386.2353.0	PCB connector 8413 B / 3 VL OB	PCB female connector with screw connection with rising cage clamp system, 3 poles, max. cross section: 2.5 mm ² , pitch: 7.62 mm, type of packing: carton, color: grey
25.386.0353.0	PCB connector 8413 B / 3 VL	PCB female connector with screw connection with rising cage clamp system, 3 poles, printed version, max. cross section: 2.5 mm ² , pitch: 7.62 mm, type of packing: carton, color: grey
25.880.3353.0	PCB connector 8413 BFK / 3 TOP OB	PCB female connector with tension spring connection, 3 poles, max. cross section: 2.5 mm ² , pitch: 7.62 mm, type of packing: carton, color: grey
25.880.0353.0	PCB connector 8413 BFK / 3 TOP K	PCB female connector with tension spring connection, 3 poles, printed version, max. cross section: 2.5 mm ² , pitch: 7.62 mm, type of packing: carton, color: grey

○ These dimensions will be especially checked at delivery
 ○ Only inspection dimensions
 ○ With /E marked dimensions are only valid for internal use

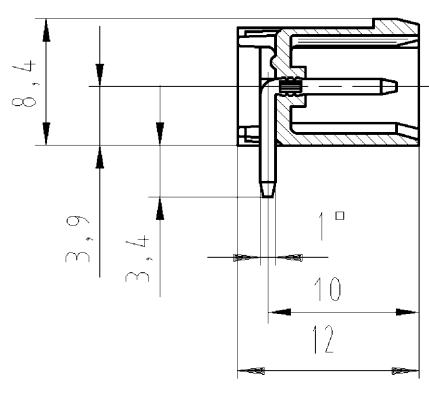


Weitergabe sowie Vervielfältigung dieses Dokuments, Verwertung und Mitteilung seines Inhalts sind verboten, soweit nicht ausdrücklich gestattet. Die Reproduktion, Distribution und Utilization of this document as well as the communication of its contents to others without express authorization is prohibited.

Schnitt A-A
 section A-A

gezeichnete Ausführung:
7-polig
 drawn version:
7-poles

○ Diese Maße werden bei Abnahme besonders geprüft
 ○ Ausschließlich Prüfmaße
 ○ Mit /E gekennzeichnete Maße sind nur für interne Zwecke gültig



Farbe /colour	.F
grau / grey	.0
schwarz/black	.1
grün /green	.7

Artikel-Nr. part number	Pol-Z pole	L	l	Typ type
25.392.3253	2	14,52	7,62	8413 S / 2 W OB
3353	3	22,14	15,24	8413 S / 3 W OB
3453	4	29,76	22,86	8413 S / 4 W OB
3553	5	37,38	30,48	8413 S / 5 W OB
3653	6	45,00	38,10	8413 S / 6 W OB
3753	7	52,62	45,72	8413 S / 7 W OB
3853	8	60,24	53,34	8413 S / 8 W OB
3953	9	67,86	60,96	8413 S / 9 W OB
4053	10	75,48	68,58	8413 S /10 W OB
4153	11	83,10	76,20	8413 S /11 W OB
4253	12	90,72	83,82	8413 S /12 W OB

Weitere Daten siehe Katalog
 further data see catalog

Tolerierung nach DIN 7167/Tolerance system acc. to DIN 7167.
 (This DIN-standard describes the envelope principle. According to the envelope principle the deviations of form and parallelism are limited by the size tolerances).

ja/yes Stoffverbots- und Deklarationsliste nach UU-TQM-05/03 ist einzuhalten.
 Conformity with Wieland document UU-TQM-05/03 (list of prohibited / declarable hazardous substances) to be declared!

Freitoleranz nach DIN ISO 2768 - m

CAD - Zeichnung, keine manuellen Änderungen
 CAD - drawing, no manual modifications allowed

1. Verwendung: -
 First Use:

Blatt: 1 von 1
 Sheet: of 1

Index	Datum / Blatt Date / Sheet	Werkstoff/Material	2011	Tag/Date	Name	Zeichnung Nr./Drawing No.	Index
			gezeichnet drawn	28.11.	Schmitt J.		
Änderung/Revision	Maßstab/Scale	Vol.	mm ³	Oil./Surf.	mm ²	Maße in mm/Dimensions are in mm	
						2:1	Ersatz für/Replacement for: -
wieland		Type	Benennung/Tittle				
Elektrische Verbindungen		8413 S /	LP_STIFTLISTE				
		.. W OB	Rastermaß 7,62 / pitch 7,62 PCB header				

253923253F01K_2 CADWZ035 Schmitt 2011-11-28 10:08:20:57 1.000