

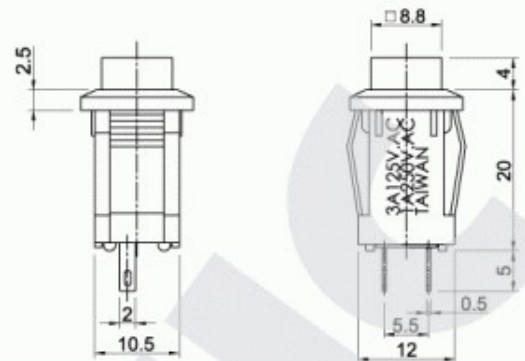
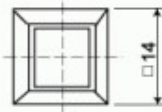
PB, MPS Series Push Switches

PB-02AK (LOCK TYPE)



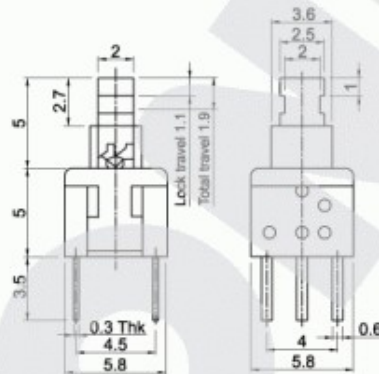
1A 250V AC
3A 125V AC

MODEL NO.	TYPE
PB-02AK	OFF ON Lock
PB-02ANK	OFF (ON) Lock



0.1A 30V DC

MODEL NO.	TYPE
MPS-580D	Lock
MPS-580ND	Non-lock



- Rating : 0.1A 30V DC.
- Circuit : DPDT
- Contact resistance : 70mΩ.
- Operating force : 180±50g.
- Life : 10,000 Cycles.



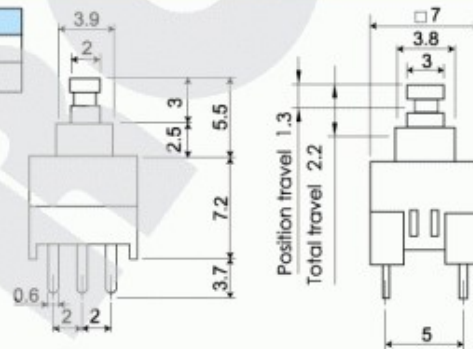
0.1A 30V DC

MODEL NO.	TYPE
MPS-700	Lock
MPS-700N	Non-lock

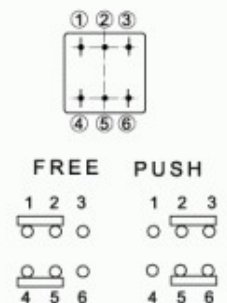
CAP C13



RED, BLACK



SCHEMATIC



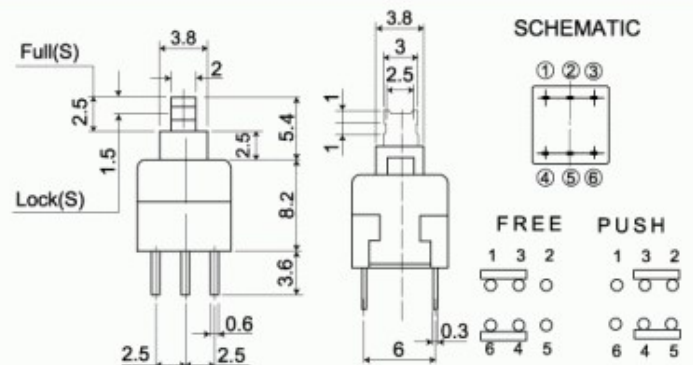
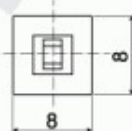
0.1A 30V DC

MODEL NO.	TYPE
MPS-800	Lock
MPS-800N	Non-lock
MPS-800V	Non-lock Click sound

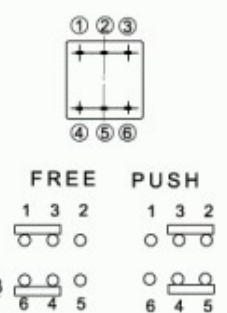
CAP C13



RED, BLACK



SCHEMATIC



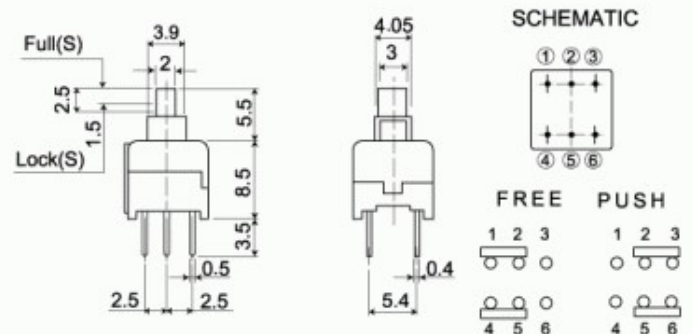
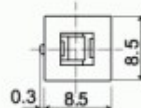
0.3A 30V DC

MODEL NO.	TYPE
MPS-850	Lock
MPS-850N	Non-lock
MPS-850V	Non-lock Click sound

CAP C13



RED, BLACK



SCHEMATIC

