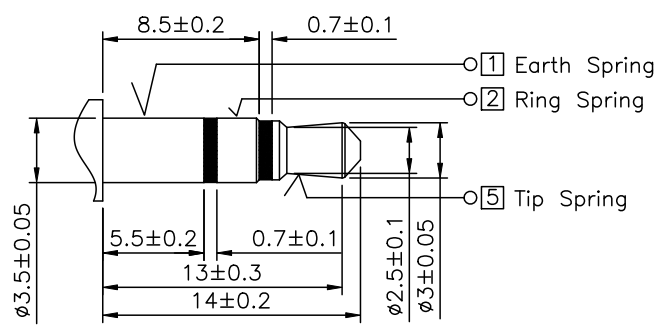
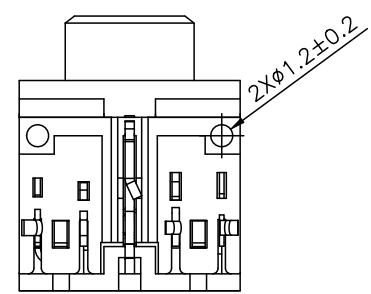


△ SPECIFICATION
 Rating:30V 0.5A DC
 Withstand Voltage:500V AC
 △ Contact Resistance:50 Milliohms Max.
 After Test:100 Milliohms Max.
 Insulation Resistance:100 Megaohms Min. (500V DC)
 After Test:50 Megaohms Min.
 Insertion And Extraction Force:3~30N
 Life Test:5000 Cycles Min.
 Operation Temperature Range:-20°C~+70°C
 Preservative Temperature Range:-40°C~+85°C
 RoHS Compliant

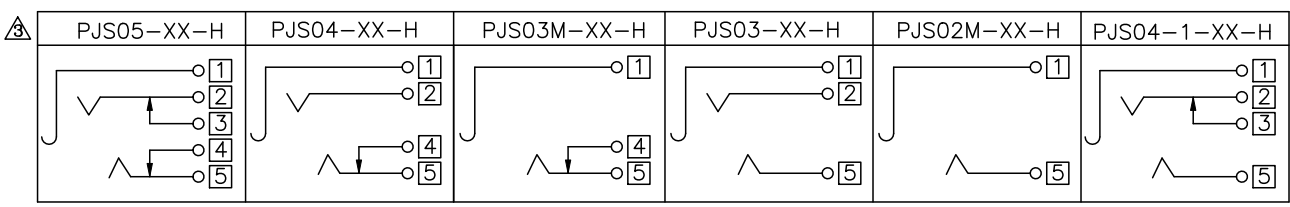
- △△ P J S XX X - X - XX - H**
 (1) (2) (3) (4) (5) (6) (7)
- (1) PJ:03.5 Earphone Jack
 - (2) S:Standard Profile Type
 - (3) XX:No. Of Position
 - (4) X:Position
Blank:Stereo
M:Mono
 - (5) X:Loop Option
Blank:Standard Type
1:Type 1
 - (6) XX:Insulator Color
Blank:Black
PK:Pink
LM:Light Green
LB:Light Blue
GE:Gray
 - (7) H:RoHS Compliant



△ Matching Plug

- 1 Earth Spring
- 2 Ring Spring
- 5 Tip Spring

Schematic



No.	Description	Q'ty	Material	Remark
①	Housing	1	PBT	--
②	Cover	1	PBT	--
③	Earth Terminal	1	Phosphor Bronze	Tin Plated
④	Ring Spring	1	Stainless Steel	Tin Plated
⑤	Shunt Terminal	1	Brass	Tin Plated
⑥	Shunt Terminal	1	Brass	Tin Plated
⑦	Tip Spring	1	Stainless Steel	Tin Plated

□ :Terminal No. ○ :Item No.



CATEGORY	APPROVED BY	UNLESS OTHERWISE SPECIFIED TOLERANCES ARE	△ A4	Modify Data	HZF	08/07/2017
PART No. PJSXXX-X-XX-H	MEI	X. ±0.3 .X ±0.3 ANG. ±2°	△ A3	Modify P/N:PJSXX-XX-H --> PJSXXX-X-XX-H	HZF	11/03/2016
DRAWING No. PJSXXX-X-XX-H	CHECKED BY HZF		△ A2	Add P/N Code	HZF	06/28/2012
SCALE NONE	DRAWING BY CYP	UNIT mm	△ A1	Modify Data	HZF	03/25/2010
REV.	A3	NO.REV.	△ A0	NEW RELEASE	BECKY	10/20/2005
				REVISIONS	CHK	DATE