

737



»» Features

- 30A general purpose Power Relay.
- SPDM, SPDB, SPDM+DB contact configurations.
- AC & DC coils are both available.
- Optional for anti-rotation tab, tapped core indicator lamp & push-to-test button, flanged covers. (side flange & top flange)
- Comply with RoHS-Directive 2002/95/EC.

»» Type List

Terminal style	Contact form	Designation	Enclosure style				
			Open type	Dust cover	Ears on cover	Antirotation-tab	Ears on top
Quick terminal	1X(SPDM)	-----	737-1X	737-1X-C	737-1X-C1	737-1X-C2	737-1X-C3
	1Y(SPDB)		737-1Y	737-1Y-C	737-1Y-C1	737-1Y-C2	737-1Y-C3
	1Z (SPDM/B)		737-1Z	737-1Z-C	737-1Z-C1	737-1Z-C2	737-1Z-C3
	1X(SPDM)	Lamp	-----	737-1X-C-L	737-1X-C1-L	737-1X-C2-L	737-1X-C3-L
	1Y(SPDB)		-----	737-1Y-C-L	737-1Y-C1-L	737-1Y-C2-L	737-1Y-C3-L
	1Z (SPDM/B)		-----	737-1Z-C-L	737-1Z-C1-L	737-1Z-C2-L	737-1Z-C3-L
	1X(SPDM)	Manual	-----	737-1X-C-M	737-1X-C1-M	737-1X-C2-M	737-1X-C3-M
	1Y(SPDB)		-----	737-1Y-C-M	737-1Y-C1-M	737-1Y-C2-M	737-1Y-C3-M
	1Z (SPDM/B)		-----	737-1Z-C-M	737-1Z-C1-M	737-1Z-C2-M	737-1Z-C3-M
PCB terminal	1X(SPDM)	-----	-----	737-1X-C-T	-----	737-1X-C2-T	737-1X-C3-T
	1Y(SPDB)		-----	737-1Y-C-T	-----	737-1Y-C2-T	737-1Y-C3-T
	1Z (SPDM/B)		-----	737-1Z-C-T	-----	737-1Z-C2-T	737-1Z-C3-T
	1X(SPDM)	Lamp	-----	737-1X-C-LT	-----	737-1X-C2-LT	737-1X-C3-LT
	1Y(SPDB)		-----	737-1Y-C-LT	-----	737-1Y-C2-LT	737-1Y-C3-LT
	1Z (SPDM/B)		-----	737-1Z-C-LT	-----	737-1Z-C2-LT	737-1Z-C3-LT
	1X(SPDM)	Manual	-----	737-1X-C-MT	-----	737-1X-C2-MT	737-1X-C3-MT
	1Y(SPDB)		-----	737-1Y-C-MT	-----	737-1Y-C2-MT	737-1Y-C3-MT
	1Z (SPDM/B)		-----	737-1Z-C-MT	-----	737-1Z-C2-MT	737-1Z-C3-MT

»» Ordering Information

737 - 1X - - -
 1 2 3 4 5

- | | |
|---|--|
| <p>1. 737 -- Basic series designation</p> <p>2. 1X -- Single pole double make
 1Y -- Single pole double break
 1Z -- Single pole double make/ break</p> | <p>3. Blank -- Standard type
 F -- Class F</p> <p>4. Blank -- Open type
 C -- With cover</p> |
|---|--|

- | | | | |
|----|---|----------|------------------------------------|
| C1 | -- With mounting ears on cover | 5. Blank | -- No special feature |
| C2 | -- With accessible mounting hole with anti-rotation tab | M | -- With manual operator |
| C3 | -- Mounting Ears on top of cover | T | -- Printed circuit board terminals |
| | | L | -- Pilot lamp |

»» Contact Rating

Resistive load	30A 28VDC, 15A 600VAC, 30A 300VAC
Motor	1HP 120VAC, 1.5HP 200~600VAC

»» Coil Rating (DC)

Rated voltage (V)	Rated current $\pm 10\%$ at 23°C (mA)	Coil resistance $\pm 10\%$ at 23°C (Ω)	Max. continuous voltage at 75°C	Pick up voltage(Max) at 23°C	Drop out voltage(Min) at 23°C	Power consumption at rated voltage
1X 1Y	6	188	110 % of rated voltage	80 % of rated voltage	10 % of rated voltage	approx. 1.2W
	12	100				
	24	51				
	48	27				
	110	11				
	125	12.5				
1Z	6	250				approx. 1.5W
	12	125				
	24	63				
	48	31				
	110	11.5				
	125	13				

»» Coil Rating (AC)

Rated voltage (V)	Coil resistance $\pm 10\%$ at 23°C (Ω)	Max. continuous voltage at 75°C	Pick up voltage(Max) at 23°C	Drop out voltage(Min) at 23°C	Power consumption at rated voltage
6	4.2	110 % of rated voltage	85 % of rated voltage	30 % of rated voltage	approx. 3.0VA
12	18				
24	72				
110	1580				
120	1700				
220	5500				
240	7200				

737

»» Specification

Contact material	AgSnO alloy	
Contact resistance ⁽¹⁾	50mΩ Max. (1A/6VDC by 4 pipes mΩ meter)	
Operate time ⁽¹⁾	25 ms Max.	
Release time ⁽¹⁾	20 ms Max.	
Insulation resistance ⁽¹⁾	1000 MΩ Min. (DC 500V)	
Dielectric strength ⁽¹⁾	Between live parts & ground	: AC 1600V , 50/60Hz 1 min.
	Between contact and coil	: AC 2200V , 50/60Hz 1 min.
	Between open contact	: AC 1000V , 50/60Hz 1 min.
Vibration resistance	Operating extremes	10~55Hz , amplitude 2.0 mm
	Damage limits	10~55Hz , amplitude 2.0 mm
Shock resistance	Operating extremes	10G
	Damage limits	100G
Life expectancy	Mechanical	10,000,000 operations (frequency 18,000 operations/hr)
	Electrical	100,000 operations (frequency 360 operations/hr)
Operating ambient temperature	-40~+75°C (no freezing)	
Weight	Approx. 83 g	

Note : (1) initial value

»» Safety Approval

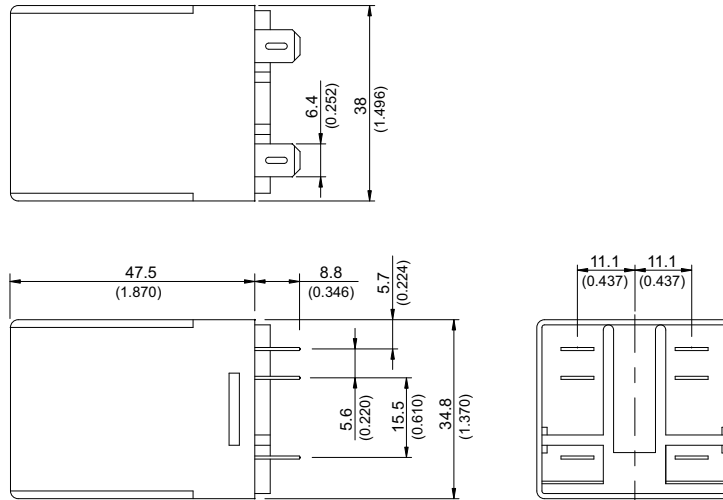
Certified	UL	CSA	TUV
File No.	E88991	1664125	R50044822

»» Safety Approval Rating

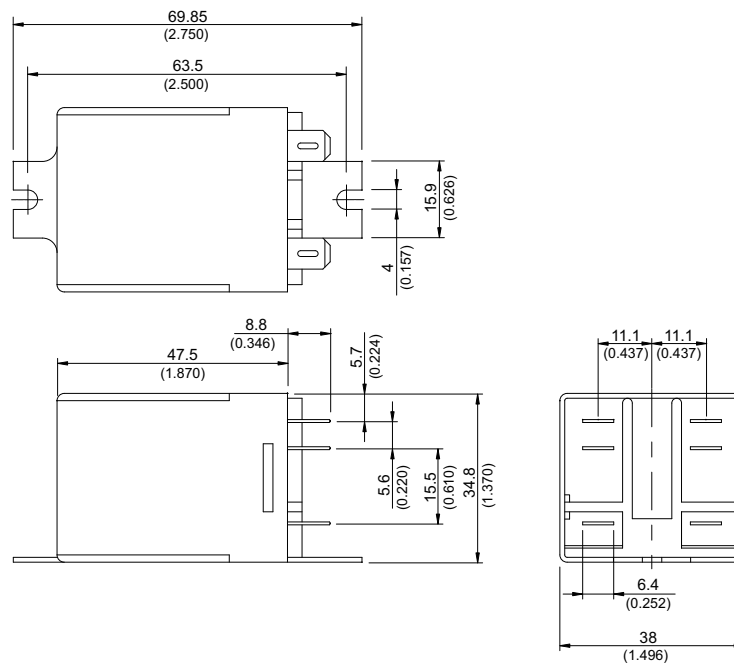
UL	CSA	TUV
30A 28VDC	30A 28VDC	30A 250VAC (for 1X,1Z)
30A 300VAC	30A 300VAC	
15A 600VAC	15A 600VAC	
1HP 120VAC	1HP 120VAC	
1.5HP 200/240/480/600VAC	1.5HP 200~600VAC	

»» Outline Dimensions

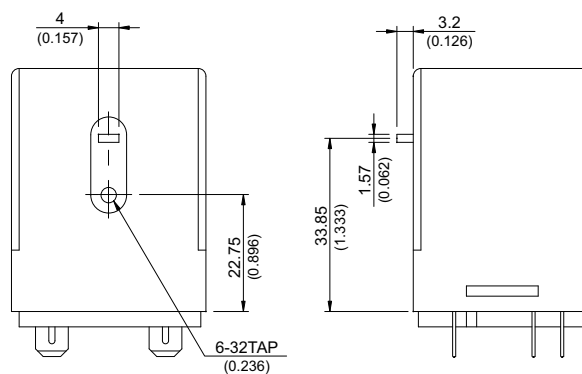
◆ 737 C



◆ 737 C1

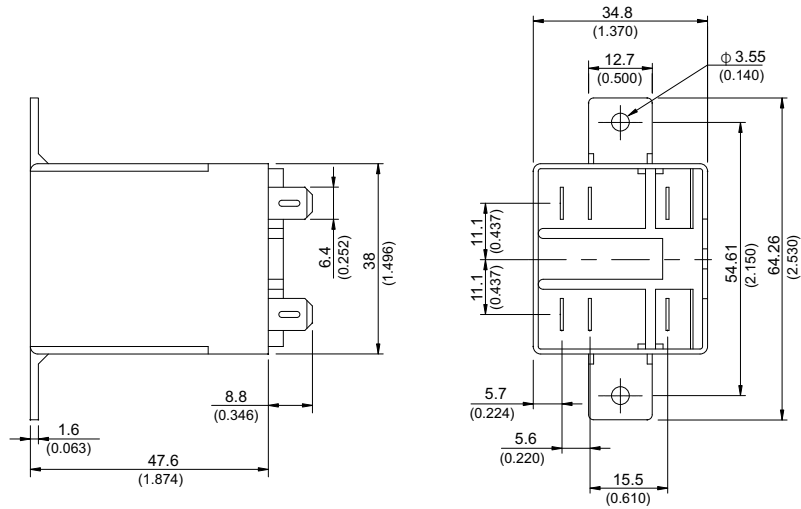


◆ 737 C2

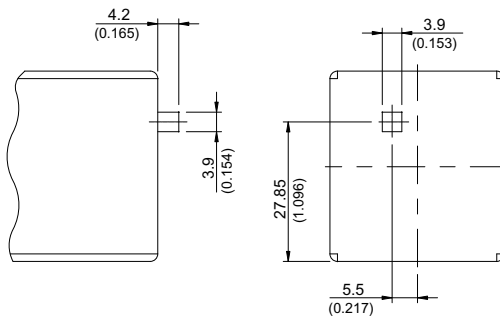


737

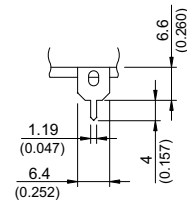
◆ 737 C3



◆ 737 M

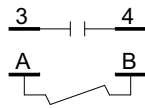


◆ 737 T

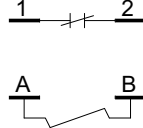


»» Wiring Diagram BOTTOM VIEW

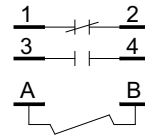
1X



1Y

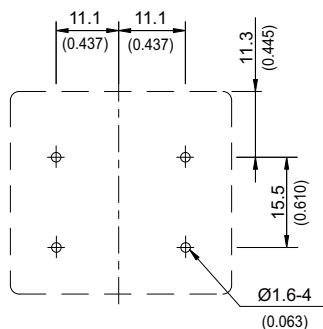


1Z

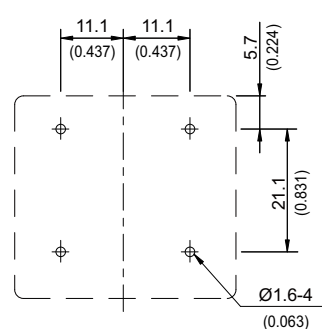


»» PC Board Layout BOTTOM VIEW

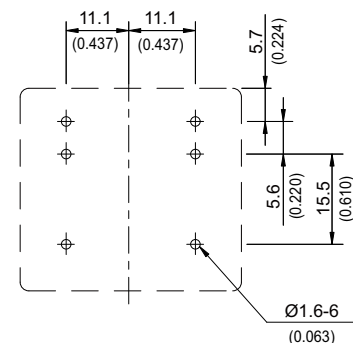
1X



1Y



1Z



»» Engineering Data

