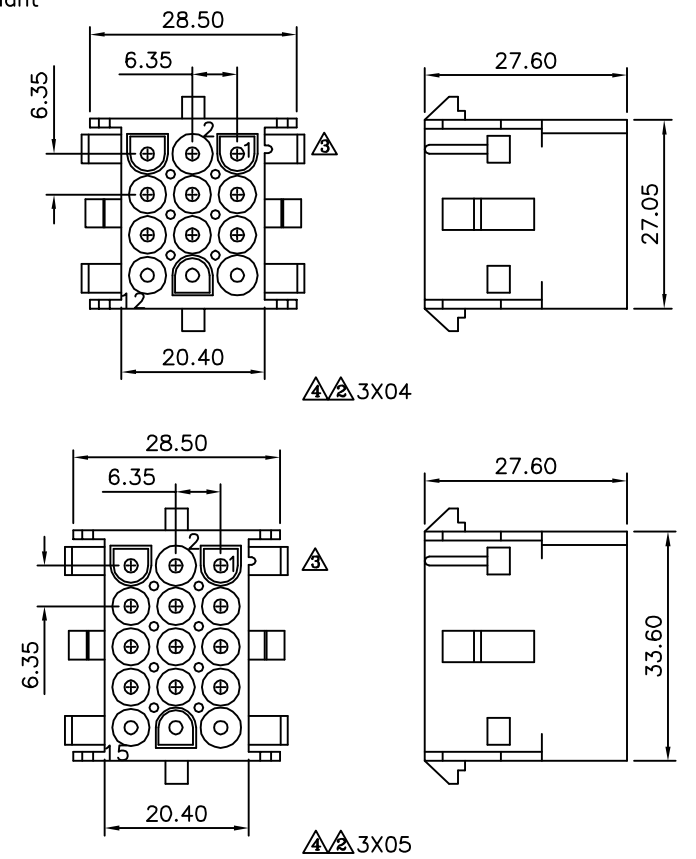


- UL X X XX P - H
 (1) (2) (3) (4) (5)
- (1) UL:6.35 UL Series
 - (2) X:Row Position
1:Single Row
2:Dual Row
3:Triple Row
 - (3) XX:No. Of Position/Per Row
 - (4) P:Male Housing
 - (5) H:RoHS Compliant

SPECIFICATION
 Current Rating:12A AC/DC
 Voltage Rating:300V AC/DC
 Withstanding Voltage:1500V AC/Minute
 Insulation Resistance:1000 Megaohms Min.
 Temperature Range:-25°C~+90°C
 Material:PA66(UL94V-2)
 RoHS Compliant



AUK A MEMBER OF AUK GROUP
太聯事業股份有限公司
AUK CONTRACTORS CO., LTD.

CATEGORY		APPROVED BY		UNLESS OTHERWISE SPECIFIED TOLERANCES ARE .X ±0.3 .XX ±0.3 ANG.
PART No. ULXXXXP-H		EMILY		
DRAWING No. ULXXXXP-H		CHECKED BY HZF		
SCALE NONE		DRAWING BY SAN		
REV.	A4	UNIT		

	A4	Modify Data	HZF	07/15/2014
	A3	Modify Data	HZF	06/30/2014
	A2	Modify P/N:UL1XXXXP-H-->ULXXXXP-H Add UL2X03P,3X03P,3X04P,3X05P	HZF	11/09/2012
	A1	Modify P/N:UL1X03P-->UL1XXXXP-H Add 1X01,1X02,1X04,1X05	HZF	06/20/2011
	A0	NEW RELEASE		
NO.REV.	REVISIONS		CHK	DATE